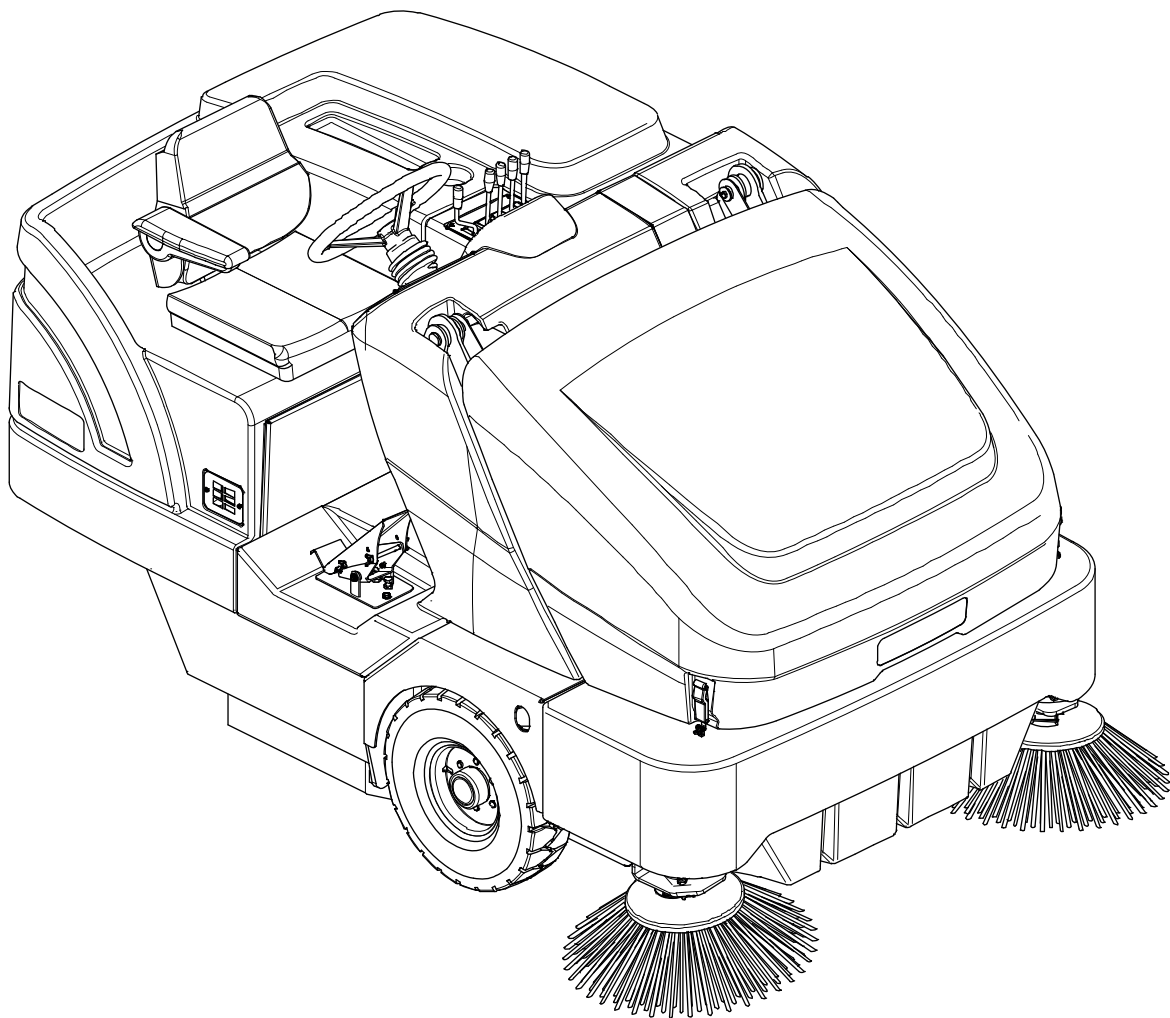


# Proterra™

## Parts list



06/2009 - Revised 08/2018  
(I)  
FORM NO. 33019865



Model No.:  
13300109,  
(13300174, 13300106, 13300108 discontinued)



**TABLE OF CONTENTS**

GENERAL VIEW ..... 2  
 CHASSIS ASSEMBLY ..... 4  
 CHASSIS COMPONENTS ..... 8  
 HOPPER SYSTEM..... 10  
 VAC FAN - PANEL FILTER ASSY ..... 14  
 RIGHT SIDE BROOM ASSY ..... 16  
 LEFT SIDE BROOM ASSY ..... 18  
 MAIN BROOM ASSY ..... 20  
 CONTROL ASSEMBLY ..... 22  
 PEDALS SYSTEM..... 24  
 SPEED LIMITING..... 26  
 CONTROL PANEL AND RELAYS ..... 28  
 REAR COVER ASSY ..... 30  
 ASSY FUEL TANK..... 32  
 ASSY LPG SUPPORT (FOR MACHINE UNTIL DEC 2011) ..... 34  
 ASSY SUPPORT 3 CYL LPG (FOR MACHINE STARTING FROM JAN 2012)..... 36  
 ASSY ENGINE 3 CYL DIESEL (FOR DISCONTINUED VERSION)..... 38  
 ASSY LPG ENGINE ..... 42  
 ASSY PETROL ENGINE (FOR DISCONTINUED VERSION)..... 50  
 HYDRAULIC PLANT ASSY ..... 54  
 HYDRAULIC PLANT - DRIVE MOTOR SCHEME ..... 60  
 HYDRAULIC PLANT - STEERING SCHEME ..... 62  
 HYDRAULIC PLANT - FLAP AND HOPPER SCHEME ..... 64  
 HYDRAULIC PLANT - SIDE BROOM SCHEME..... 66  
 PRE MISTING SYSTEM 12V ..... 68  
 WHEELS - TILT STEERING - AMBER STROBE LIGHT - FLASHING BEACON ..... 70  
 LIGHT FRONT LED 12V ..... 72  
 MAT FLOOR - GUARD REAR BUMPER - METAL LINER HOPPER - FRONT PROTECTION..... 74  
 HOPPER DUST FLAP - WORKING LIGHT 12V ..... 76  
 CANOPY ..... 78  
 SOFT CABIN ..... 80  
 WIRING DIAGRAM 3 CYL. DIESEL - PAGE 1 ..... 82  
 WIRING DIAGRAM 3 CYL. LPG - GASOLINE - PAGE 1 ..... 86  
 HYDRAULIC DIAGRAM ..... 90  
 RECOMMENDED SPARE PARTS ..... 92  
 OPTIONALS / ACCESSORIES ..... 93

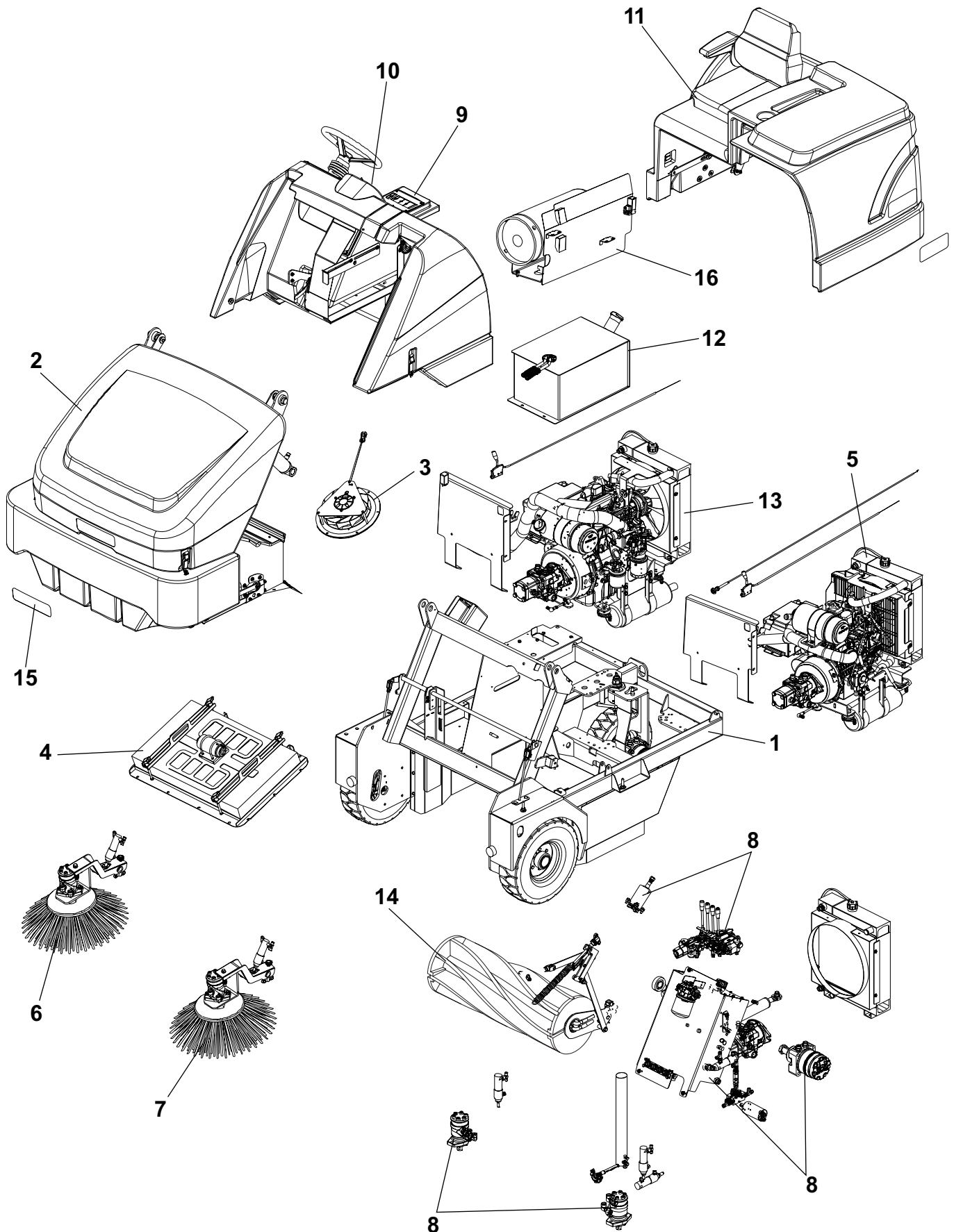
**WHEN ORDERING PARTS**

- \* Use the part numbers from the “Ref. No.” columns in this parts list.
- \* Specify the model and serial number of the machine.
- \* Use the space below to record the model and serial number for future reference.

Model	Serial No.
-------	------------

- \* = Optional
- # = Modified item No. or New item No.
- [ ] = Not shown

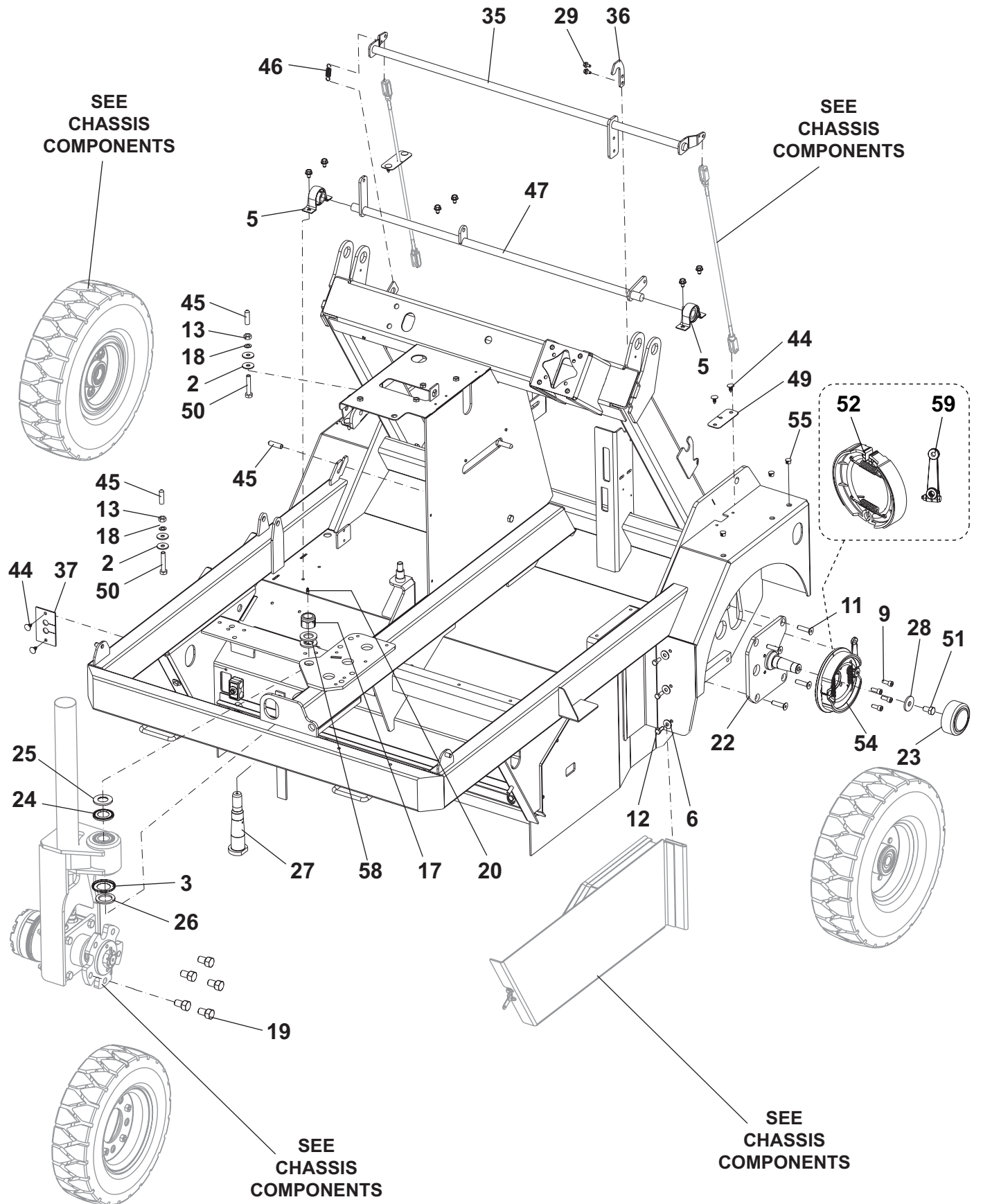
GENERAL VIEW



**GENERAL VIEW**

KIT	ITEM	REF. NO.	QTY	DESCRIPTION	NOTE
	1		1	CHASSIS ASSEMBLY	
	2		1	HOPPER SYSTEM	
	3		1	VAC FAN ASSY	
	4		1	PANEL ASSY	
	5		1	POCKET FILTER ASSY (OPT.)	
	<b>6*</b>		<b>1</b>	<b>RT SIDE BROOM ASSY</b>	
	7		1	LT SIDE BROOM ASSY (OPT.)	
	8		1	HYDRAULIC PLANT ASSY	
	9		1	CONTROL ASSY	
	10		1	CONTROL PANEL AND RELAYS ASSY	
	11		1	REAR COVER ASSY	
	12		1	FUEL TANK ASSY	
	13		1	ENGINE 3 CYL DIESEL ASSY	
	14		1	MAIN BROOM SYSTEM	
	15	33020132	1	DECALS PROTERRA KIT	
	16		1	LPG ASSY	
	17		1	ENGINE 3 CYL LPG ASSY	

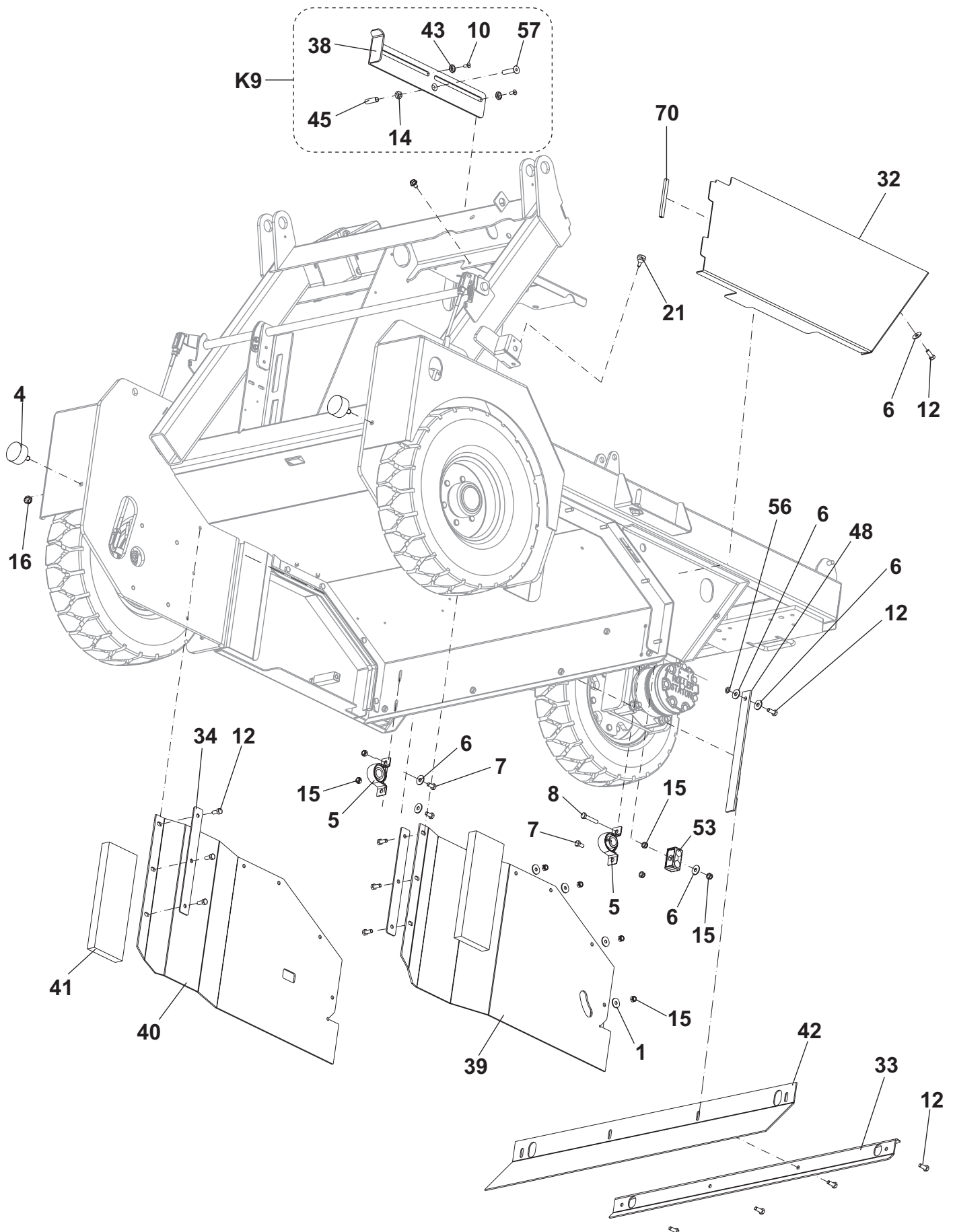
# CHASSIS ASSEMBLY



**CHASSIS ASSEMBLY**

KIT	ITEM	REF. NO.	QTY	DESCRIPTION	NOTE
K7-8	1		4	WASHER 8X24 UNI6592	
K2-6	2		4	WASHER 10X30 UNI6592	
	3	33003125	1	RING NILOS AV	
	4	33003129	2	VIBRATION -DAMPING	
K10	5	33003201	4	BEARING BALL UNIT 204 KIT	
K6-8-10	6		9	WASHER 8X24 UNI6593	
K10	7		3	SCREW M8X16 UNI5739	
K10	8		1	SCREW M8X45 UNI5739	
K4-6	9		8	SCREW M8X20 UNI5931	
	10		2	SCREW M6X16 UNI5933	
K6	11		8	SCREW M10X40 UNI5933	
K6-7-8	12		15	SCREW M8X20 UNI5739	
K2-6	13		2	NUT HEX M10 UNI5588	
	14		1	NUT HEX M10 UNI5589	
K7-8-10	15		9	NUT SELF L. M8 UNI7474	
K8	16		2	NUT SELF L. M10 UNI7474	
K5-6	17		1	NUT SELF L. M24X2 UNI7474	
K2-6	18		2	WASHER M10 UNI8842A	
K6	19		5	STUD BOLT M 16X1.5	
K5-6	20		1	LUBRICATOR M6	
	21#	1467006000	1	PLUG ANTI VIBRATION D.8-D.20 10 PCS SET	
	22	33018790	1	SUPPORT FRONT WHEEL KIT	
	23#	1467021000	2	CAP 2 PCS SET	
	24	33016909	1	RING NILOS AV 32006X	
	25	33016910	1	WASHER PLAIN D.30.6X50X4 CONICAL GALV.	
	26	33016911	1	WASHER PLAIN D.35.2X50X4 GALV.	
	27	33016912	1	PIN DRIVE YOKE PIVOT	
K4-6	28		2	WASHER 12X40X4	
K3-6	29		2	SCREW THREAD ROLLING M6X12	
	32	33017057	1	DOOR LEFT WELDED	
K7	33		1	PLATE REAR SEAL	
K7	34		2	PLATE SIDE SEAL	
	35	33017113	1	BAR JOINT BRAKE	
	36	33017114	1	PLATE F BAR JOINT BRAKE LOCKING	
	37#	33023477	1	RUBBER F MAIN BROOM HOSES KIT	
	38		1	HOPPER SAFETY STOP	
	39	33017171	1	SKIRT LT SIDE	
	40	33017172	1	SKIRT RT SIDE	
	41	33017173	2	FOAM HOPPER SIDE	
	42	33017174	1	SKIRT REAR BROOM	
	43		2	BUSH	
K3-6	44		6	RIVET PLASTIC	
K2-6	45		4	CAP VINYL	
	46	33017199	1	SPRING	
	47	33017218	1	LINKAGE WELDED THROTTLE	
	48	33017262	1	STATIC STRAP	
	49	33017266	2	RUBBER LEVER BRAKE	
K2-6	50		2	SCREW M10X55 UNI5739	
K4-6	51		2	SCREW M12X20 UNI5739	
	52#	1467066000	2	SHOE BRAKE SIP	
	53	33018539	1	CLAMP PIPE TWIN PLASTIC D.18MM	
	54	33020204	2	DRUM BRAKE	
	54	33020205	2	DRUM BRAKE KIT	UNTIL S/N 084734256
K6	55		3	PLUG BLACK	
K6	56		1	WASHER	
	57		1	SCREW M10X45 UNI5933	
K5-6	58		2	WASHER M24 UNI6592	
	59#	1467244000	2	LEVER F DRUM BRAKE SIP	
	70	33021180	1	GASKET U SHAPED PVC L.100MM SIP	
	[K2]	33020409	1	HARDWARE CENTRING KIT	ITEM 2-13-18-45-50
	[K3]	33020410	1	HARDWARE BRAKE BAR KIT	ITEM 29-44

CHASSIS ASSEMBLY

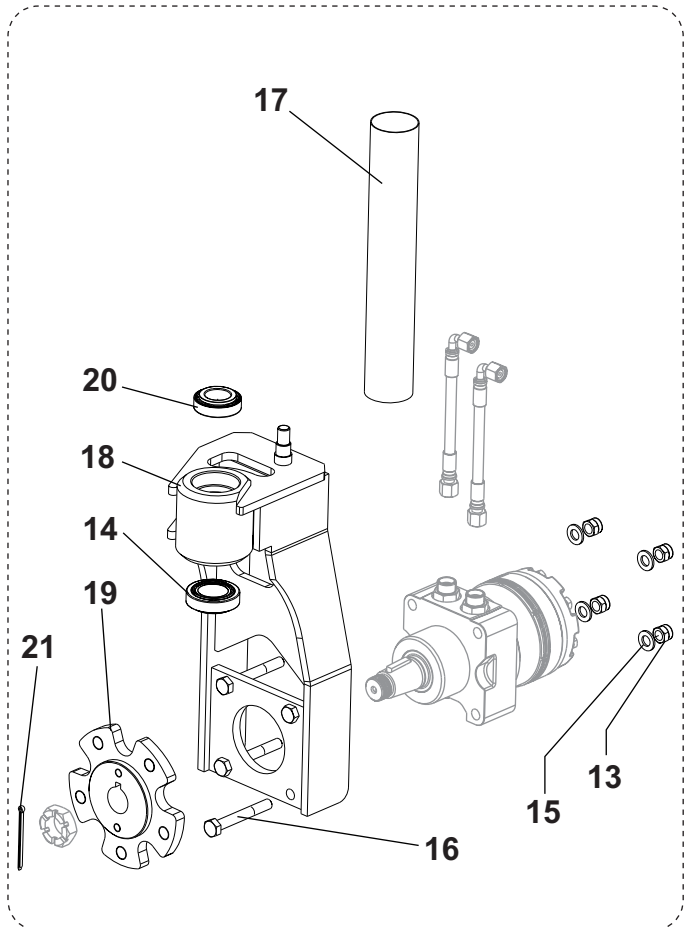
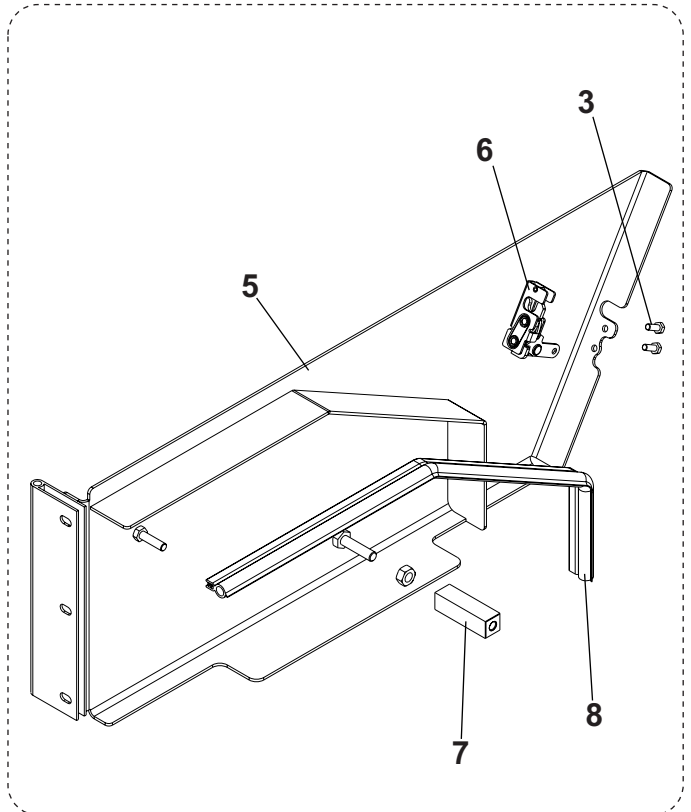
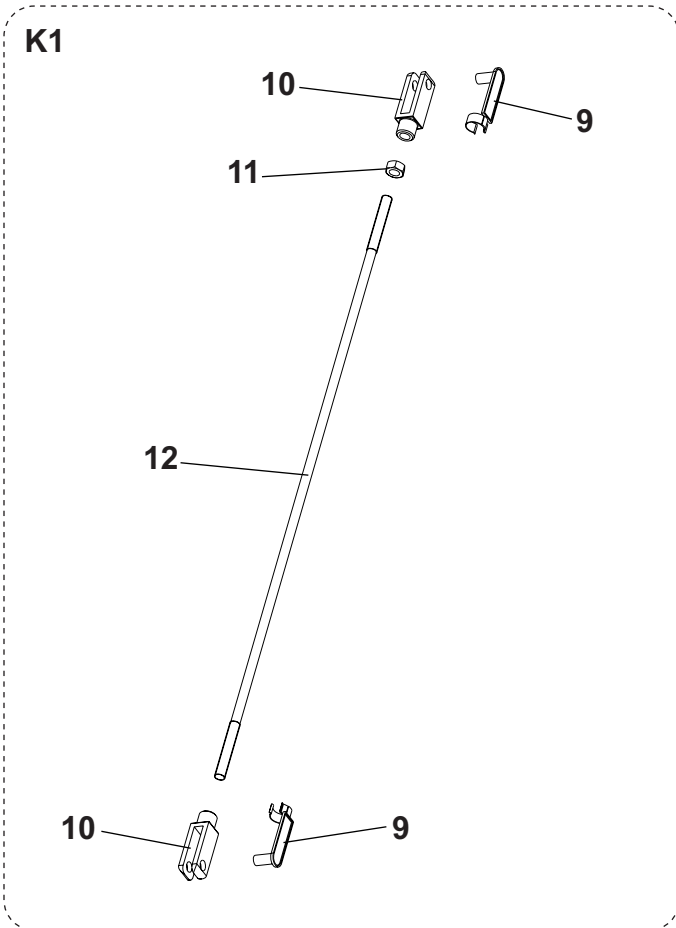
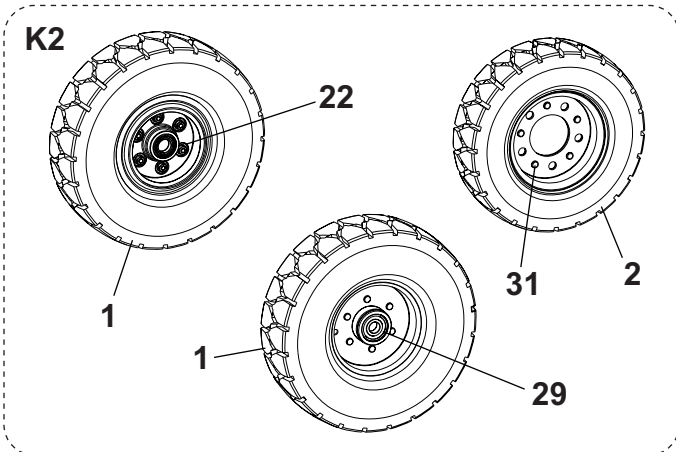
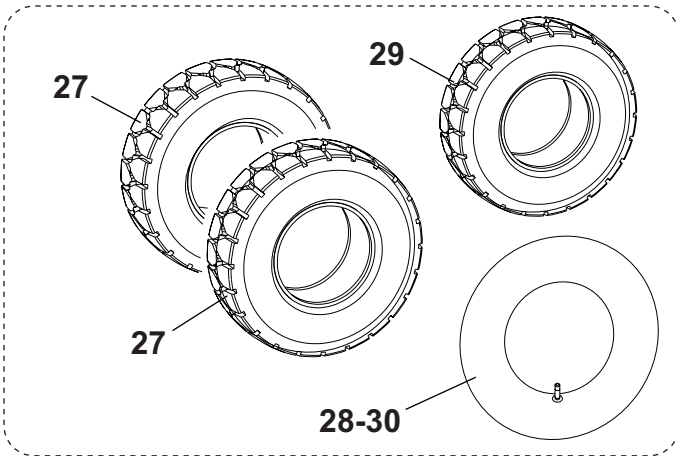




**CHASSIS ASSEMBLY**

KIT	ITEM	REF. NO.	QTY	DESCRIPTION	NOTE
	[K4]	33020411	1	HARDWARE FRONT WHEEL SUPPORT KIT	ITEM 9-28-51
	[K5]	33020412	1	HARDWARE REAR WHEEL PIN KIT	ITEM 17-20-58
	[K6]	33020332	1	HARDWARE CHASSIS KIT	ITEM 3-13-16 PAG.9 ITEM 2-6-9-11-12-13-17-18-19-20-28-29-30-44-45-50-51-55-56-58
	[K7]	33018791	1	FIXING GASKETS KIT	ITEM 1-12-15-33-34
	[K8]	33020333	1	HARDWARE FLAP KIT	ITEM 1-6-12-15-16
	K9	33019212	1	HOPPER STOP KIT	ITEM 10-14-38-43-45-57
	[K10]#	33023472	1	SUPPORT BEARING KIT	ITEM 5-6-7-8-15

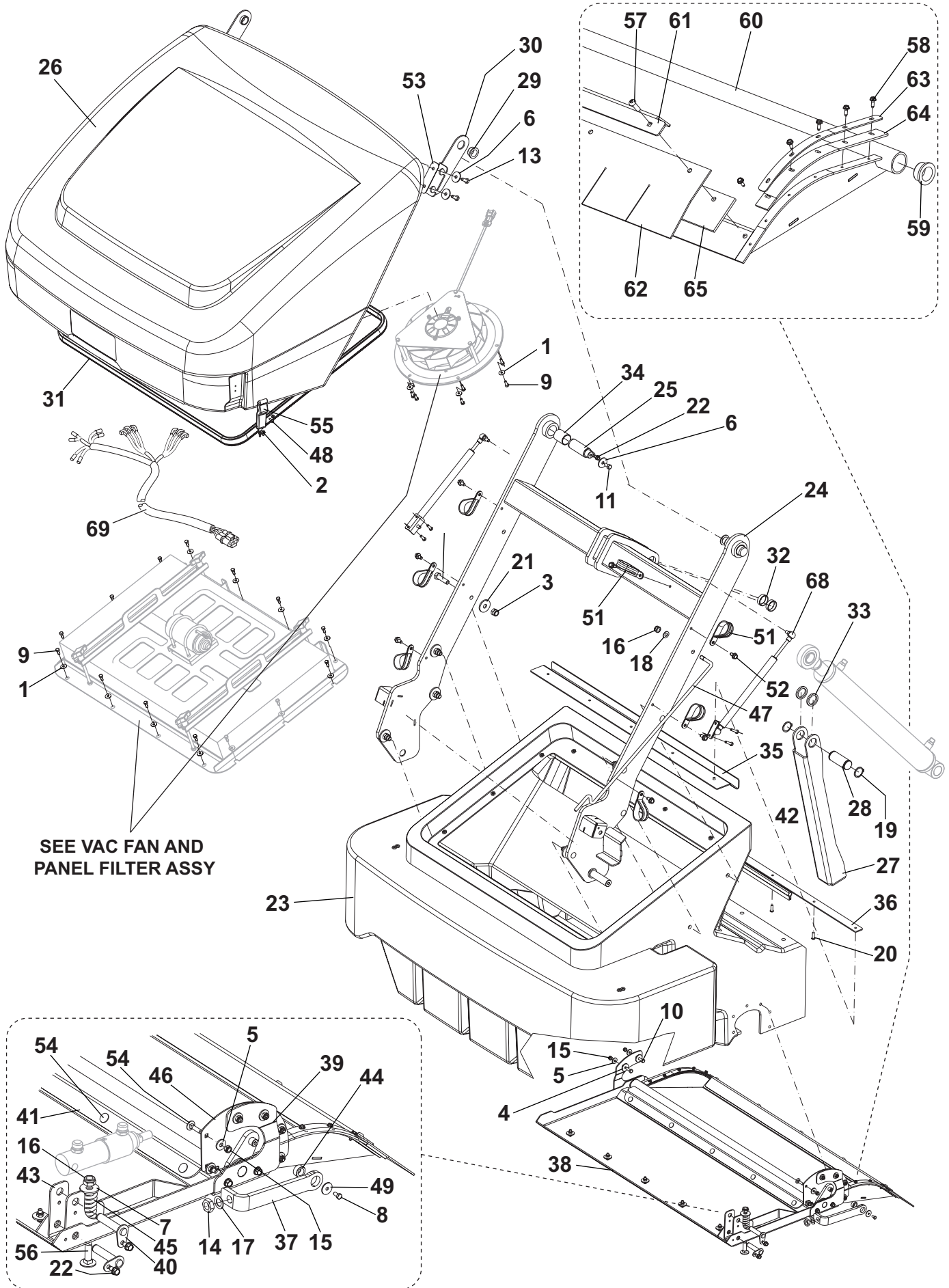
### CHASSIS COMPONENTS



**CHASSIS COMPONENTS**

KIT	ITEM	REF. NO.	QTY	DESCRIPTION	NOTE
	1	33022518	1	WHEELS PNEUMATIC 5.00/8 KIT	TSB-IT 2012-098
	1	33022519	1	WHEELS SUPERELASTICL 5.00/8 KIT	
	1	33022520	1	WHEELS FOAMED 5.00/8 KIT	
	2	33022242	1	WHEEL CPL 4.00/8 FOAMED	
K3	3		2	SCREW M6X16 UNI5739	
	5	33019101	1	HATCH RIGHT KIT (12-6 PAG 5)	
K3	6		1	LATCH SLAM	
	7	33017128	1	STOPPER PLAST. BROOM ARM	
	8	33017129	1	GASKET BULB REINFORCED L.670MM	
K1	9		4	CLIPS M8	
K1	10		4	FORK M8	
K1	11		2	NUT HEX M8 UNI5588	
K1	12		2	ROD	
K4	13		4	NUT SELF L. M12 UNI7473	
	14	33003175	1	BEARING TAPER ROLLER 32007	
K4	15		4	WASHER M12 UNI6592	
K4	16		4	SCREW M12X90 UNI5737	
	17#	33021132	1	SLEEVE HD L 300	
	18	33018792	1	SUPPORT MET. GREY F DRIVE WHEEL KIT	INCLUDED ITEM 13-15-16-21
	19	33017103	1	HUB REAR WHEEL GALV.	
	21		1	PIN COTTER	
	20#	1467636000	1	BEARING TAPER ROLLER 32006 SIP	
	22#	33023378	2	STUD BOLT F WHEELS KIT	
	27#	33023371	1	RIM F 4.00/8 WHEEL SIP	
	28	33023369	1	STUD BOLT F WHEELS KIT	
	29#	33023318	2	BEARING AND SPACER F 5.00-8 WHEEL KIT	
K1	33018794		1	CONNECTION BRAKE KIT	ITEM 9-10-11-12
K2	33022245		1	WHEELS FOAMED KIT	
[K3]	33018796		1	CLOSING HATCH RIGHT SIDE KIT	ITEM 3-6
[K4]	33020413		1	HARDWARE REAR WHEEL KIT	ITEM 19 PAG 5 - ITEM 13-15-16

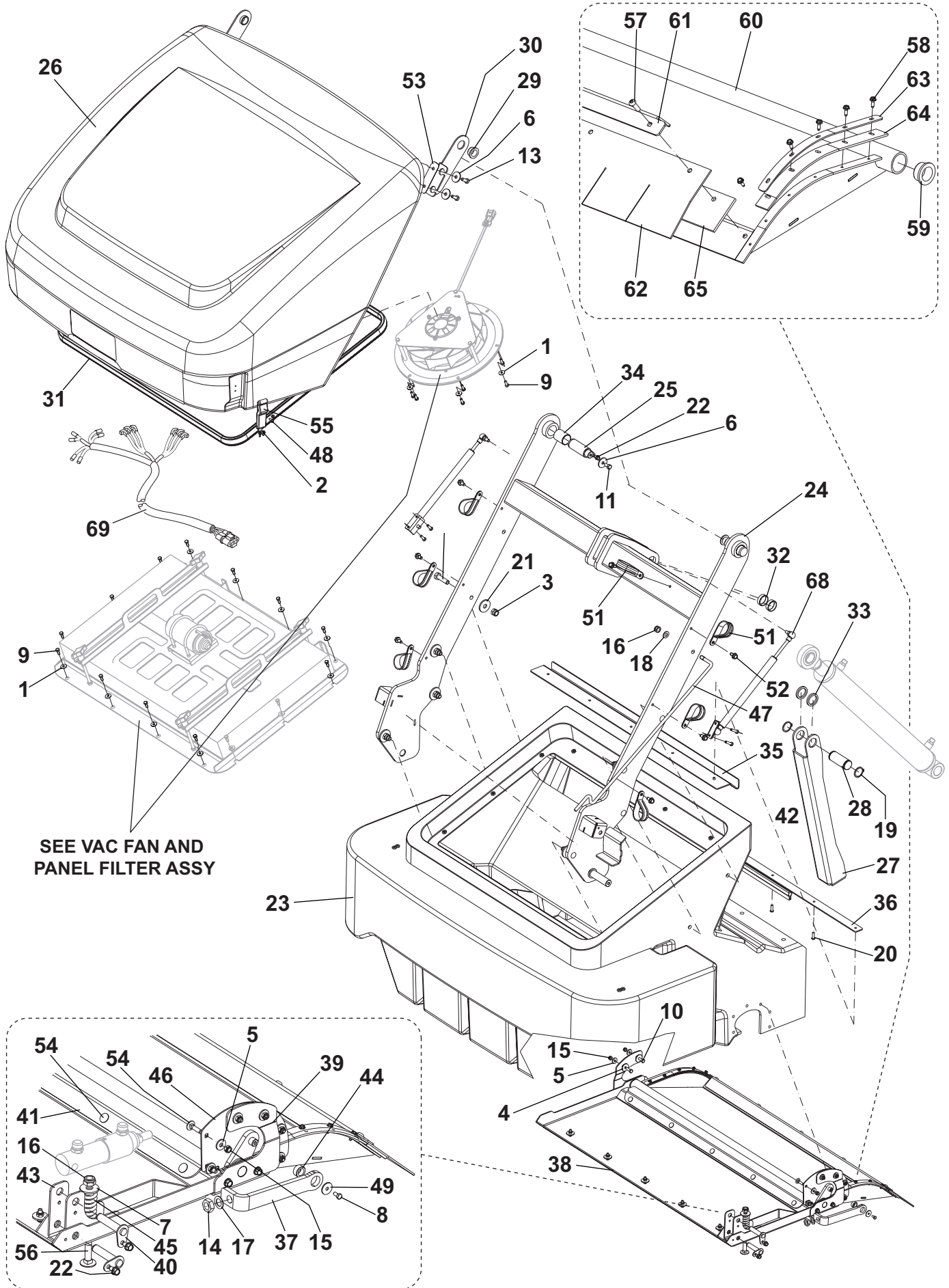
HOPPER SYSTEM



**HOPPER SYSTEM**

KIT	ITEM	REF. NO.	QTY	DESCRIPTION	NOTE
K9-10	1		20	WASHER 6X18 UNI6592	
K1	2		4	SCREW M4X12 UNI7687	
K9-10	3		8	NUT SELF L. M12 UNI7473	
K8-10	4		7	WASHER 6X24 UNI6593	
K8-10	5		13	WASHER 6X18 UNI6593	
K2	6		6	WASHER 8X32 UNI6593	
K5	7		1	WASHER 10X30 UNI6593	
K5	8		1	SCREW M5X10 UNI5739	
K8-9	9		20	SCREW M6X16 UNI5739	
K8-10	10		2	SCREW M6X20 UNI5739	
K11	11		2	SCREW M8X16 UNI5739	
K8-10	12		8	SCREW M12X45 UNI5739	
K2-9	13		4	SCREW M8X20 UNI5739	
K5	14		1	NUT HEX M12 UNI5589	
K8	15		18	NUT SELF L. M6 UNI7474	
K5-12	16		2	NUT SELF L. M10 UNI7474	
K5-8	17		1	WASHER M12 UNI8842A	
K12	18		1	WASHER M10 UNI6592	
K8-9	19		2	RING D 30 UNI7435	
K4-8-9	20		5	SCREW M6X20 ISO7380	
K8	21		8	WASHER 12X40X4	
K5	22		8	SCREW THREAD ROLLING	
	23	33017058	1	HOPPER WASTE PLAST. GREY	
	24	33017059	1	ARM LIFTING HOPPER MET.GREY	
	25	33017060	2	PIN HOPPER PIVOT	
	26	33017061	1	COVER HOPPER WASTE PLAST. GREY	
	27	33017108	1	BAR SAFETY GALV.	
K11	28		1	PIN SECURITY BAR	
K2-8-9	29		2	BUSH	
K2	30		2	BRACKET HOPPER COVER	
	31	33023365	1	GASKET BULB RUBBER L.2930MM SIP	
K11	32		2	BUSH	
K11	33		2	SPACER	
K11	34		2	BUSH	
K4	35		1	PLATE HOPPER TOP	
K4	36		1	STRAP DOOR PIVOT FLAP	
K5	37	33017137	1	ARM HOPPER DOOR MET. GREY	
	38	33017138	1	PLATE HOPPER BUTTOM GALV.	
	39	33017139	2	PIN HOPPER DOOR GALV.	
K5	40	33017146	2	PIN GALV. F CYLINDER BRACKET	
	41	33017229	1	PLATE HOPPER GALV.	
	42	33017257	1	GASKET BULB REINFORCED L.900MM	
K5	43		1	CYLINDER BRAKET	
K5	44		1	BEARING	
K5	45#	33023577	1	SPRING COMPRESS. D.E.24.5 WIRE D.5.5 SIP	
	46#	33023734	1	BRACKET SUPPORT PIN HOPPER DOOR KIT	
K12	47		1	ROD COVER PROP	
K1	48		4	SCREW 4.8X16 UNI6954	
K5	49		1	WASHER FLAT XL	
K3	51		7	CLAMP HOSE D.45	
K3	52		7	SCREW THREAD ROLLING	
	53	33020011	2	PLATE OF CONTRAST MET.GREY	
K6	54		13	SCREW M6X25 UNI5731	
K1	55#	56507188	2	LATCH FOPPER COVER	
K5	56		1	SCREW M10X60 UNI5731	
K6	57		5	SCREW M6X20 ISO7380	
K6	58		10	SCREW THREAD ROLLING	
K6	59	33017116	2	BEARING FLANGE IGLIDUR MFM-2228-15	
K6	60	33023168	1	HATCH HOPPER WASTE SIP	
K6	61	33017201	1	PLATE LOWER F SKIRT	
K6-7	62	33017202	1	SKIRT HOPPER DOOR	

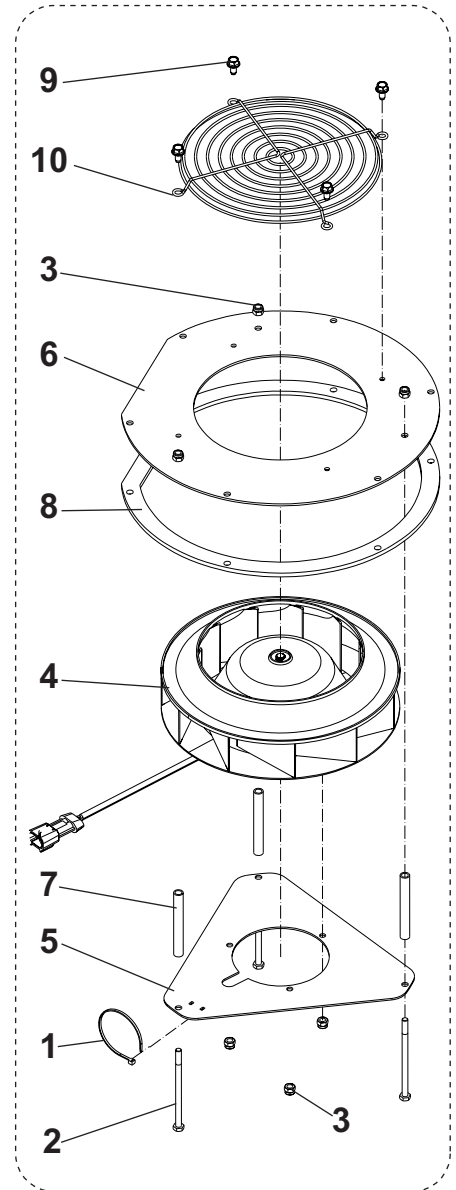
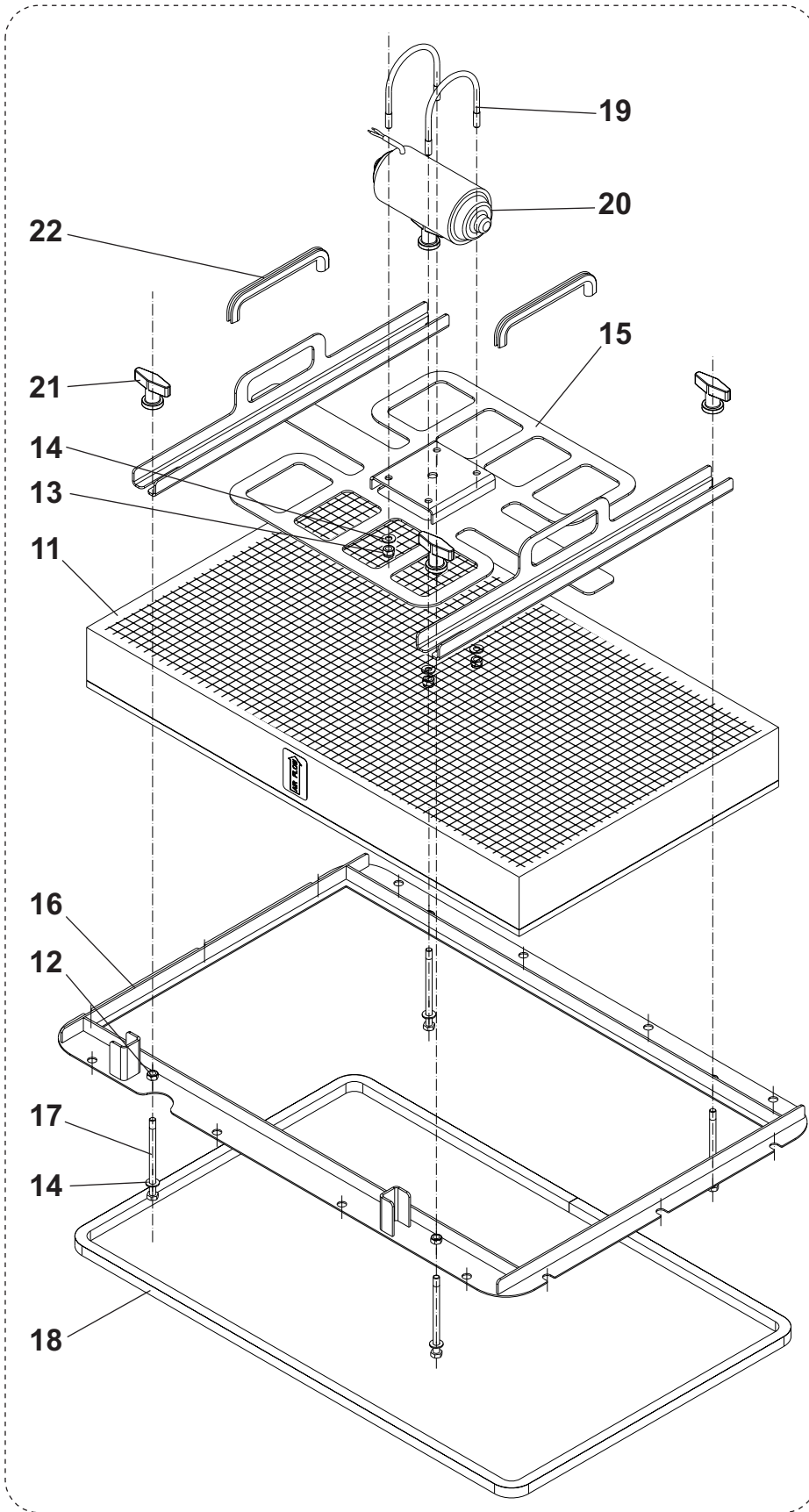
### HOPPER SYSTEM



**HOPPER SYSTEM**

KIT	ITEM	REF. NO.	QTY	DESCRIPTION	NOTE
K6	63	33017240	2	STRAP DOOR F SIDE SKIRT	
K6-7	64	33017241	2	RUBBER F HATCH HOPPER WASTE	
K7	65		1	GASKET HOPPER DOOR	
	[K1]#	33023646	1	LATCH SOFT DRAW RUBBER KIT	ITEM 2-48-55
	[K2]	33019115	1	HINGES BONNET KIT	ITEM 6-13-29-30-53
	<b>68*</b>	<b>33021975</b>	<b>1</b>	<b>GAS SPRING KIT</b>	(33021977) INSTALLATION INSTRUCTIONS
	69	33017366	1	HARNESS HOPPER	
	[K3]#	33021589	1	HOSES FIXING KIT	ITEM 51-52
	[K4]#	33021590	1	PLATE CONTAINER KIT	ITEM 35-36-20
	[K5]#	33022073	1	DOOR FIXING LIFTING KIT	ITEM 7-8-14-16-17-22-37-40-43-44-45-49-56
	[K6]	33023167	1	SKIRT HATCH CONTAINER KIT	ITEM 57-58-59-61-62-63-64-65
	[K7]	33019117	1	GASKETS HATCH KIT	ITEM 62-64-65
	[K8]	33020414	1	HARDWARE HOPPER BOTTOM KIT	ITEM 4-5-10-12-15-21-54
	[K9]	33020415	1	HARDWARE SUPPORT KIT	ITEM 1-3-9-13-19-20-29
	[K10]	33020334	1	HARDWARE HOPPER KIT	ITEM 1-3-4-5-9-10-12-13-15-17-19-20-29
	[K11]	33018798	1	HARDWARE LIFTING CONTAINER KIT	ITEM 6-11-19-22-25-28-32-33-34
	[K12]	33018801	1	ROD F ARM HOPPER LIFTING KIT	ITEM 16-18-47
	[K13]	33019791	1	HYDRAULIC SYSTEM UPDATINGKIT	(33019790) INSTALLATION INSTRUCTIONS TSB IT 2009-035
	[K14]#	33020210	1	HYDRAULIC HOSES KIT	TSB IT 2009-035

VAC FAN - PANEL FILTER ASSY

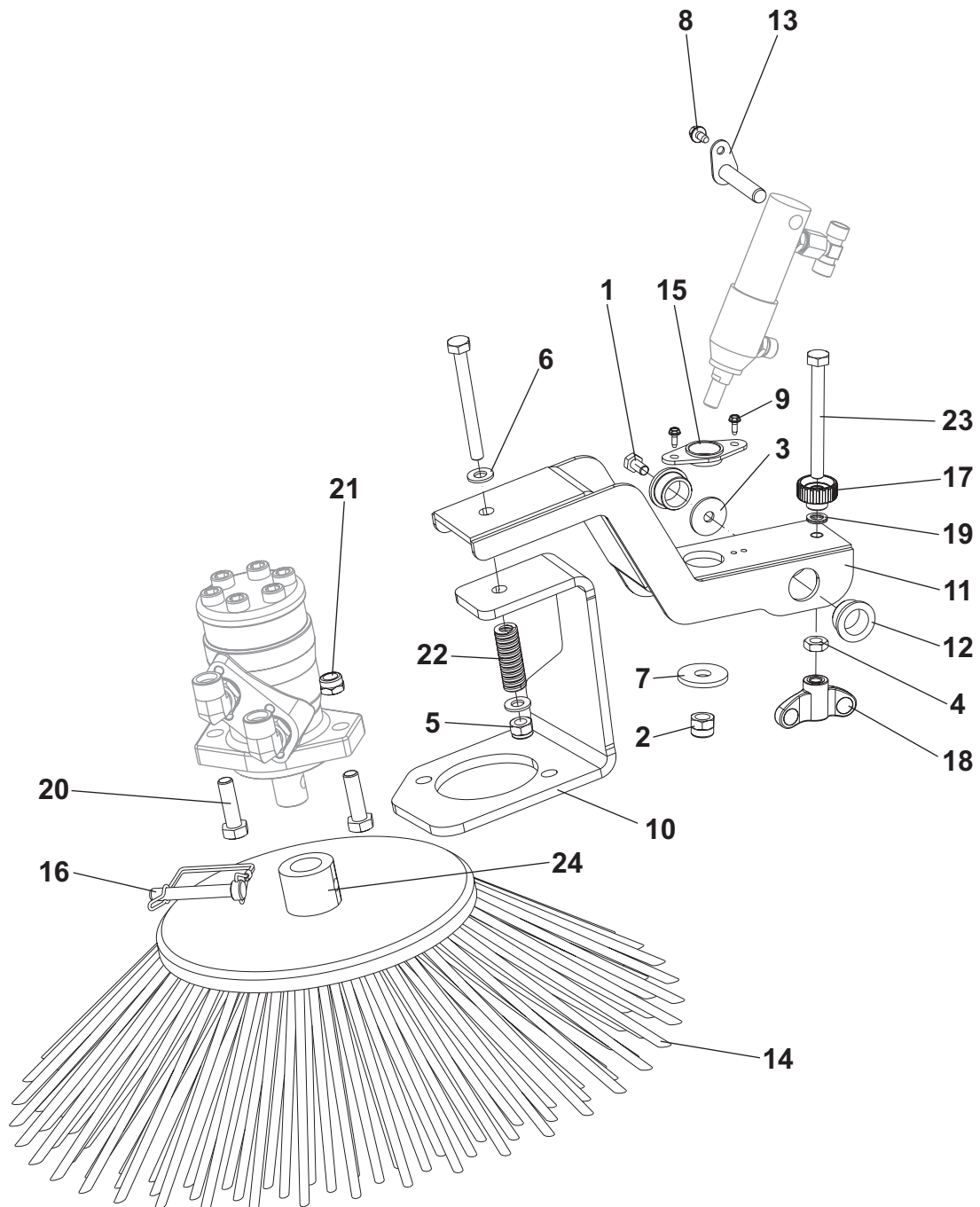




**VAC FAN - PANEL FILTER ASSY**

KIT	ITEM	REF. NO.	QTY	DESCRIPTION	NOTE
K1	1		1	CABLE TIE	
K1	2		3	SCREW M6X100 UNI5737	
K1	3		6	NUT SELF L. M6 UNI7473	
	4	33015222	1	FAN RADIAL 12V	
K1	5		1	SUPPORT	
K1	6		1	SUPPORT	
K1	7		3	SPACER	
	8	33023192	1	GASKET MOTOR VACUUM SIP	
K2	9		4	SCREW THREAD ROLLING	
K2	10		1	GRILL	
	11	8-24-04139-1	1	FLTR PANEL ULTRA-WEB CELLULOSE	
	<b>11*</b>	<b>56382789</b>	<b>1</b>	<b>FILTER PANEL POLY HIGH FLOW</b>	
K3	12		4	NUT SELF L. 5/16"UNC	
K3	13		4	NUT SELF L. M8 UNI7473	
K3	14		8	WASHER M8 UNI6592	
	15#	33023576	1	PLATE FILTER SHAKER KIT	
	16	33017119	1	FRAME PANEL FILTER GALV.	
K3	17		4	SCREW 5/16"X4,5" UNC	
	18	33018634	1	GASKET ADHESIVE 15X15 L.2560MM	
K3	19		2	CLAMP	
	20	146 1104 000	1	MOTOR FILTER SHAKER 90W 12V	
	21	9098257000	4	NUT THUMB SQUEEGEE FIXING	
	22	33021181	2	GASKET U SHAPED PVC L.170MM SIP	
	[K1]	33018804	1	FIXING ELECTROFAN KIT	ITEM 1-2-3-5-6-7
	[K2]	33018805	1	GRILL ELECTROFAN KIT	ITEM 9-10
	[K3]	33020335	1	HARDWARE PANEL FILTER KIT	ITEM 12-13-14-17-19
	[K4]	33019259	1	ANTISTATIC KIT	(33019261) INSTALLATION INSTRUCTIONS TSB IT 2010-046

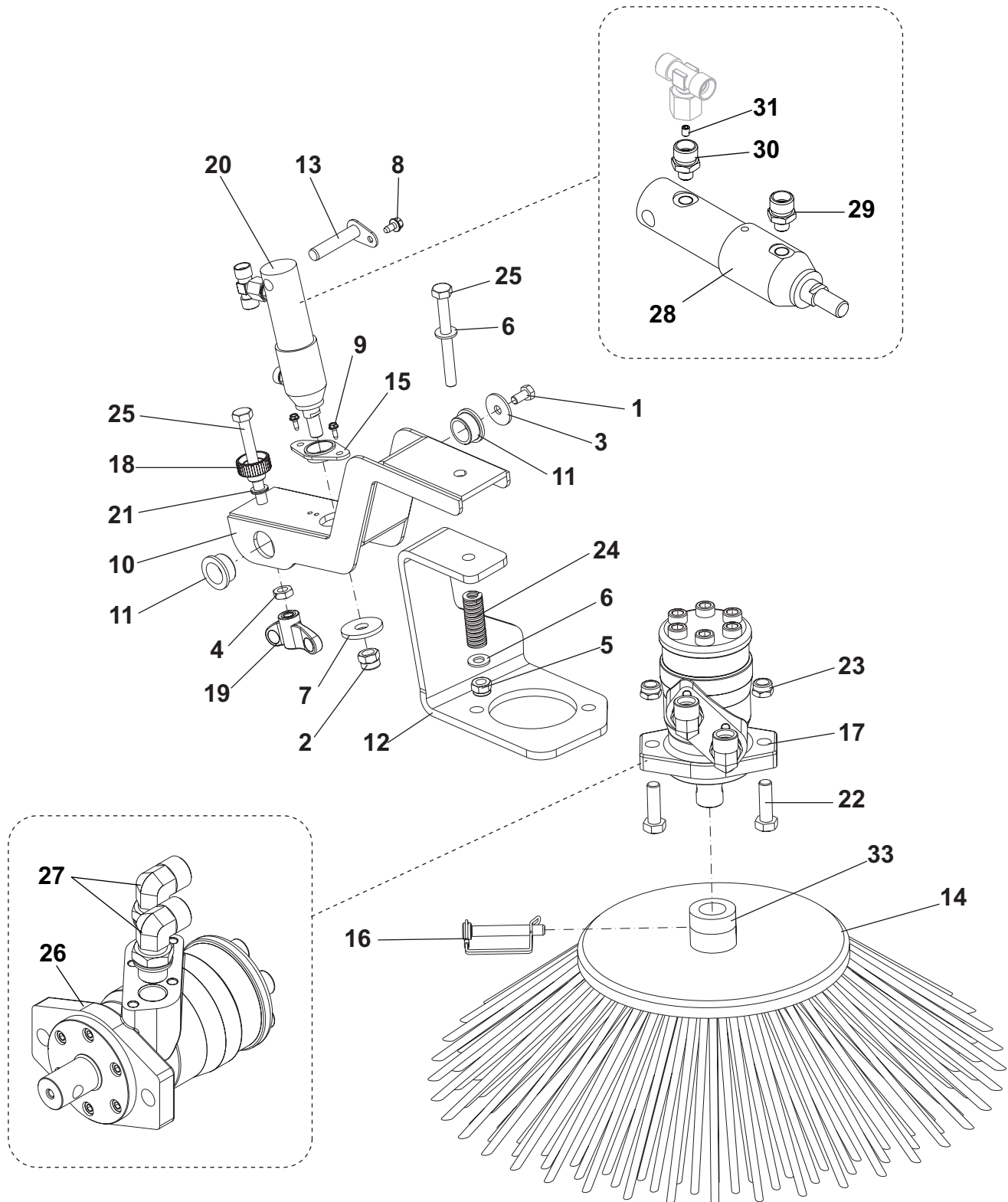
## RIGHT SIDE BROOM ASSY



**RIGHT SIDE BROOM ASSY**

KIT	ITEM	REF. NO.	QTY	DESCRIPTION	NOTE
K3	1		1	SCREW M8X16 UNI5739	
K2	2		1	NUT SELF L. M12 UNI7473	
K3	3		1	WASHER 8X32 UNI6593	
K1	4		1	NUT HEX M10 UNI5589	
K1	5		1	NUT SELF L. M10 UNI7473	
K1	6		2	WASHER M10 UNI6592	
K2-3	7		1	WASHER 12X40X4	
K2	8		1	SCREW THREAD ROLLING	
K2	9		2	SCREW THREAD ROLLING	
	10	33017107	1	SUPPORT RIGHT SIDE MOTOR	
	11	33017115	1	ARM SIDE BROOM	
K3	12		2	BUSH	
K2	13		1	PIN	
	14	33021313	1	SIDE BROOM ATLANTIS PPL	
	14	33017255	1	BROOM SIDE PPL 1,4-1,7	
	<b>14*</b>	<b>33018889</b>	<b>1</b>	<b>BROOM SIDE PPL 1,5/STEEL</b>	
	<b>14*</b>	<b>33023366</b>	<b>1</b>	<b>BROOM SIDE 260X550 NYLON</b>	
K2	15		1	BUSHING SLIDE FLANGE	
	16#	1467070000	1	PIN D10 BROOM LOCKING SIP	
K3	17	33017889	1	KNOB M10	
K3	18	33018333	1	NUT WING M10	
K3	19		1	WASHER NORD LOCK M10	
K1	20		2	SCREW M12X40 UNI5739	
K1	21		2	NUT SELF L. M12 UNI7474	
K1	22	146 1317 000	1	SPRING	
K1-3	23		2	SCREW M10X100 UNI5739	
	24	33020628	1	HUB BROOM	
	[K1]	33020336	1	SUPPORT HARDWARE KIT	ITEM 4-5-6-20-21-22-23
	[K2]	33020337	1	SIDE BROOM CYLINDER HARDWARE KIT	ITEM 2-7-8-9-13-15
	[K3]	33020338	1	SETTING SIDE BROOM HARDWARE KIT	ITEM 1-3-7-12-17-18-19-23

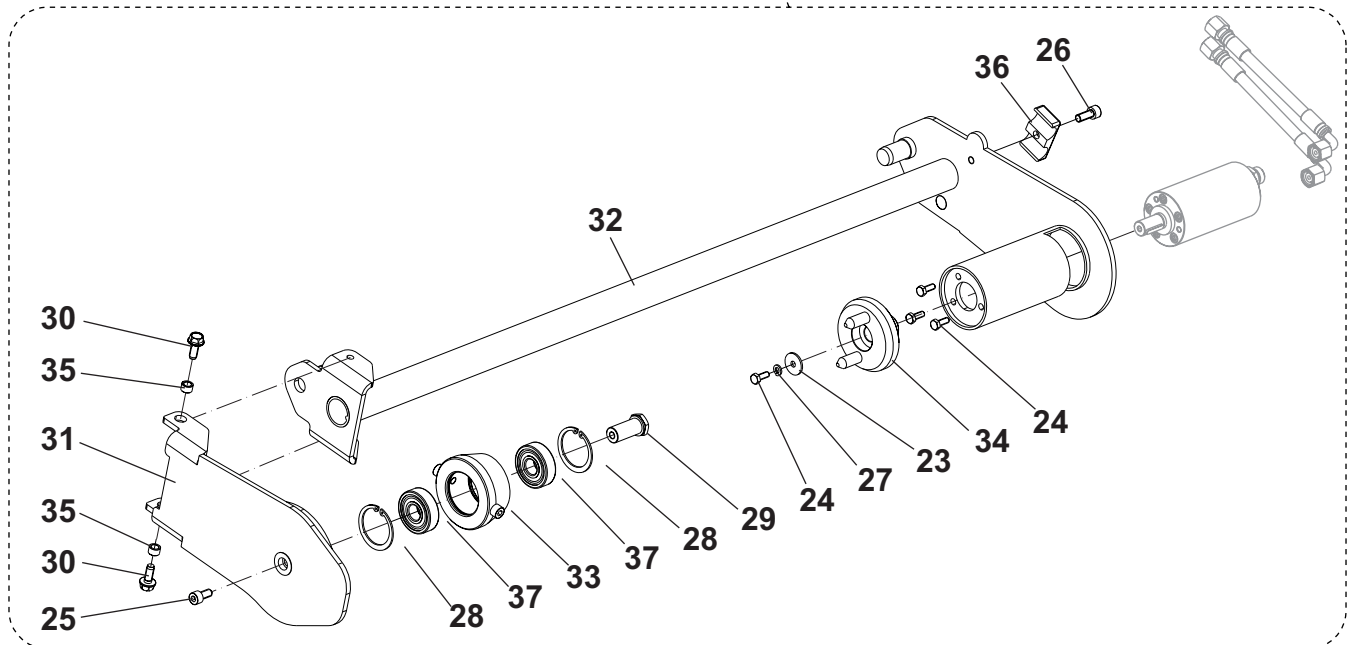
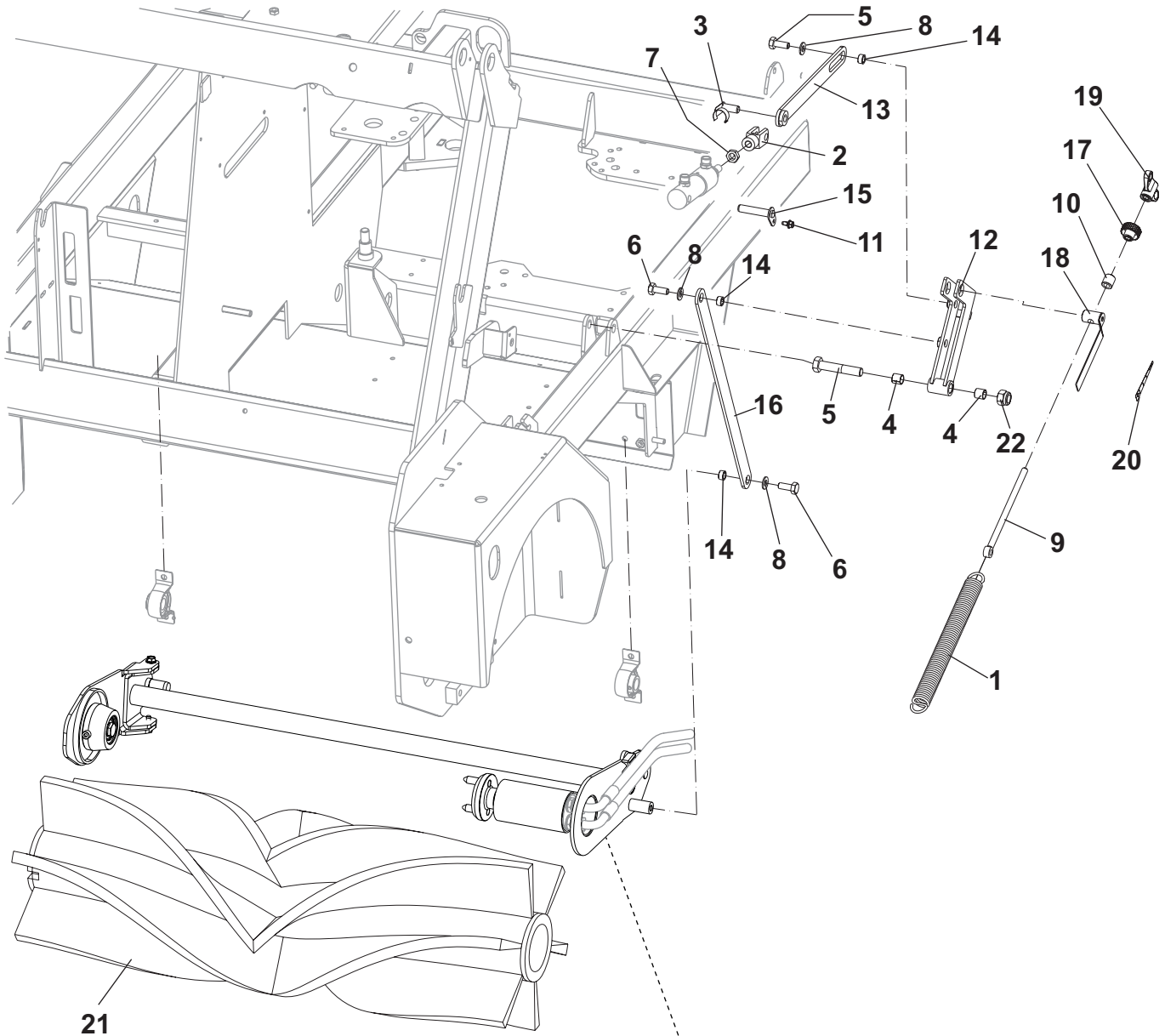
### LEFT SIDE BROOM ASSY



**LEFT SIDE BROOM ASSY**

KIT	ITEM	REF. NO.	QTY	DESCRIPTION	NOTE
K4	1		1	SCREW M8X16 UNI5739	
K3	2		1	NUT SELF L. M12 UNI7473	
K4	3		1	WASHER 8X32 UNI6593	
K2	4		1	NUT HEX M10 UNI5589	
K2	5		1	NUT SELF L. M10 UNI7473	
K2	6		2	WASHER M10 UNI6592	
K3-4	7		1	WASHER 12X40X4	
K3	8		1	SCREW THREAD ROLLING	
K3	9		2	SCREW THREAD ROLLING	
	10	33017115	1	ARM SIDE BROOM	
K4	11		2	BUSH	
	12	33017117	1	CATCH LATCH	
K3	13		1	PIN	
	14	33021313	1	BROOM SIDE 300X500 PPL 1.5	
	14	33017255	1	BROOM SIDE 260X550 PPL 1.5	
	<b>14*</b>	<b>33018889</b>	<b>1</b>	<b>BROOM SIDE 260X550 MIX STEEL</b>	
	<b>14*</b>	<b>33023366</b>	<b>1</b>	<b>BROOM SIDE 260X550 NYLON</b>	
K3	15		1	BUSHING SLIDE FLANGE	
	16#	1467070000	1	PIN D.10 GALV. W/CLIP SIP	
	17	33018807	1	MOTOR SIDE BROOM KIT	
K4	18	33017889	1	KNOB M10	
K4	19	33018333	1	NUT WING M10	
	20	33021766	1	SIDE BROOM LEFT CYLINDER KIT	
K2	21		1	WASHER NORD LOCK M10	
K2	22		2	SCREW M12X40 UNI5739	
K2-4	23		2	NUT SELF L. M12 UNI7474	
	24	146 1317 000	1	SPRING COMPR. D.E. 18.5 YELLOW ISO10243	
K2	25		2	SCREW M10X100 UNI5739	
	26	33017003	1	MOTOR SIDE BROOM	
	*	33020754	1	GASKETS HYDRAULIC MOT.KIT	
	27	33015874	2	ELBOW 90 M1/2	
	28	33021255	1	CYLINDER 25/16 50	
	*	33022009	1	GASKET MICRO CYLINDER 16/25/50 KIT	
	29	33018375	1	FITTING M/M 1/8-M16X1.5	
	30	33018222	1	FITTING M/M 1/8-M16X1.5 REW.	
	31	33018215	1	DOWEL CALIBRATED M5X6 D. 0.5	
	33	33020628	1	HUB BROOM	
	<b>[K1]*</b>	<b>33019173</b>	<b>1</b>	<b>BROOM LEFT SIDE PPL KIT</b>	(33018767) INSTALLATION INSTRUCTIONS
	[K2]	33020336	1	HARDWARE SUPPORT KIT	ITEM 4-5-6-21-22-23-25
	[K3]	33020337	1	HARDWARE CYLINDER SIDE BROOM KIT	ITEM 2-7-8-9-13-15
	[K4]	33020338	1	HARDWARE SETTING SIDE BROOM KIT	ITEM 1-3-7-11-18-19-23

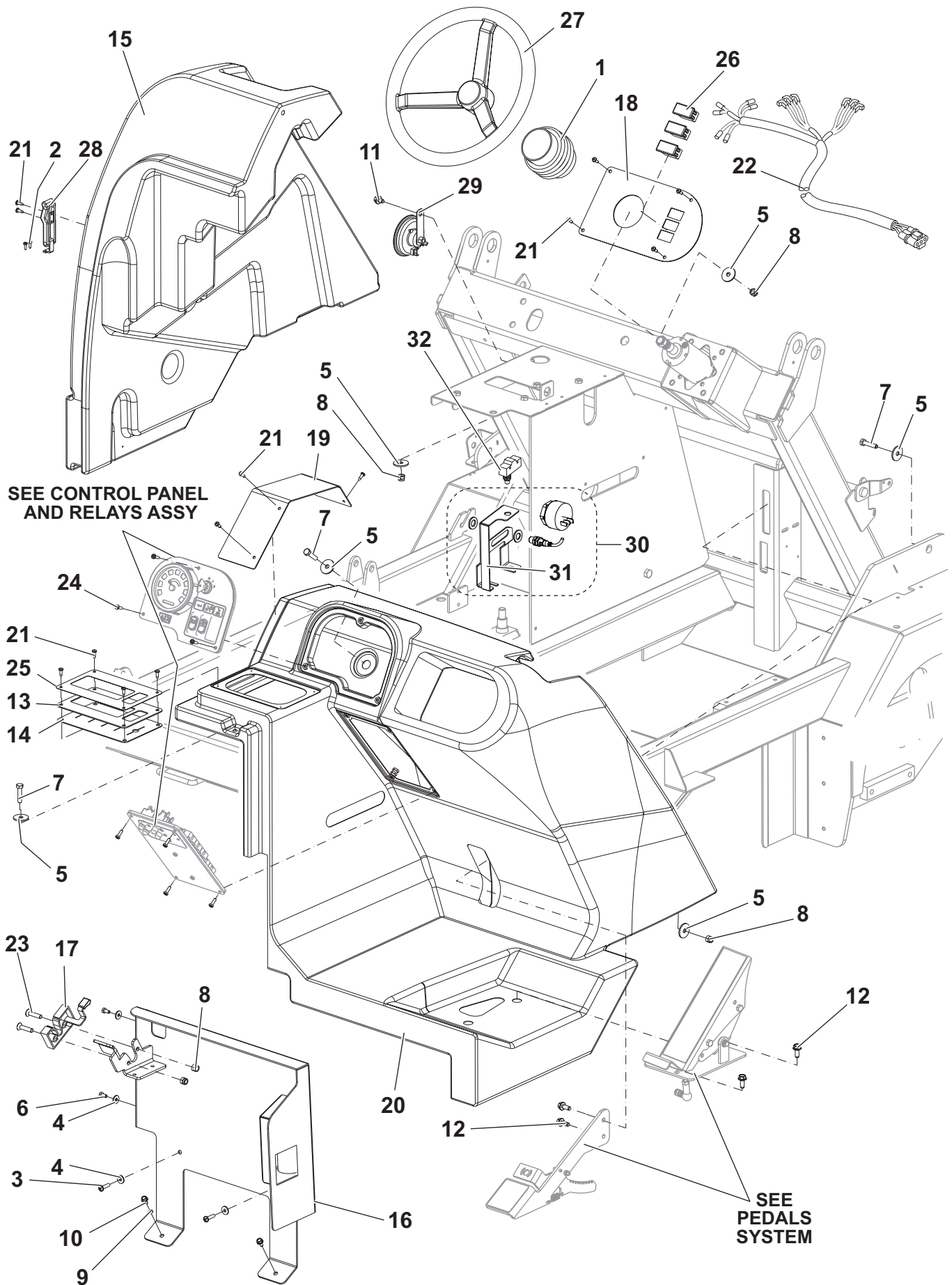
### MAIN BROOM ASSY



**MAIN BROOM ASSY**

KIT	ITEM	REF. NO.	QTY	DESCRIPTION	NOTE
	1	33002106	1	SPRING MAIN BROOM	
K3	2		1	FORK M12	
K3	3		1	CLIP 12	
K4	4		2	BUSHING DU 14X16X15	
K4	5		1	SCREW M14X70 UNI5737	
K3-6	6		3	SCREW M10X25 UNI5739	
K3	7		1	NUT HEX M12 UNI5589	
K3-6	8		3	WASHER M10 UNI6592	
K5	9		1	TIE ROD M10 L170	
K5	10		1	SPACER D11 H18	
K3	11		1	SCREW THREAD ROLLING	
K4	12		1	LEVER WELDED	
K3	13		1	CABLE	
K3-6	14		3	SPACER	
K3	15		1	PIN	
K6	16		1	BAR	
K5	17		1	KNOB M10	
K5	18		1	PIN LEVER MAIN BROOM	
K5	19		1	NUT WING M10	
K5	20		1	DECAL PRESSURE MAIN BROOM	
	21	33018853	1	BROOM MAIN 310X900 CHEVRON 6R PPL 0.7	
	<b>21*</b>	<b>33018852</b>	<b>1</b>	<b>BROOM MAIN 310X900 CHEVRON 6R NYLON</b>	
	<b>21*</b>	<b>33018854</b>	<b>1</b>	<b>BROOM MAIN 310X900 CHEVRON 6R MIX STEEL</b>	
K4	22		1	NUT SELF L. M14 UNI7473	
K2	23		1	WASHER 6X24 UNI6593	
K2	24		4	SCREW M6X16 UNI5739	
K2	25		1	SCREW M8X16 UNI5931	
K1	26		1	SCREW M8X20 UNI5931	
K2	27		1	WASHER M6 UNI1751B	
K2	28		2	RING D 47 UNI7437	
K2	29		1	PIN	
	30		2	SCREW THREAD ROLLING	
K1	31	33017007	1	FLANGE RIGHT F MAIN BROOM	
K1	32#	33023483	1	SUPPORT F MAIN BROOM SIP	
K2	33	33017140	1	HUB IDLE GALV. F MAIN BROOM	
K2	34	33017141	1	HUB	
K1	35		2	SPACER	
K1	36		1	COLLAR DOUBLE D.18	
K2	37#	33023722	2	BEARING BALL 6303 2RS DOUBLE LIP SIP	
	[K1]#	33023484	1	SUPPORT MOTOR KIT	ITEM 26-30-31-32-35-36
	[K2]#	33023721	1	BALL BEARING KIT	ITEM 23-24-25-27-28-29-33-34-37
	[K3]	33018865	1	PLATE MAIN BROOM KIT	ITEM 2-3-6-7-8-11-13-14-15
	[K4]	33018868	1	LEVER WELDT KIT	ITEM 4-5-12-22
	[K5]	33018867	1	TIE-ROD EYE D.10 KIT	ITEM 9-10-17-18-19-20
	[K6]	33018869	1	LEVER F MAIN BROOM LIFTING KIT	ITEM 6-8-14-16

**CONTROL ASSEMBLY**

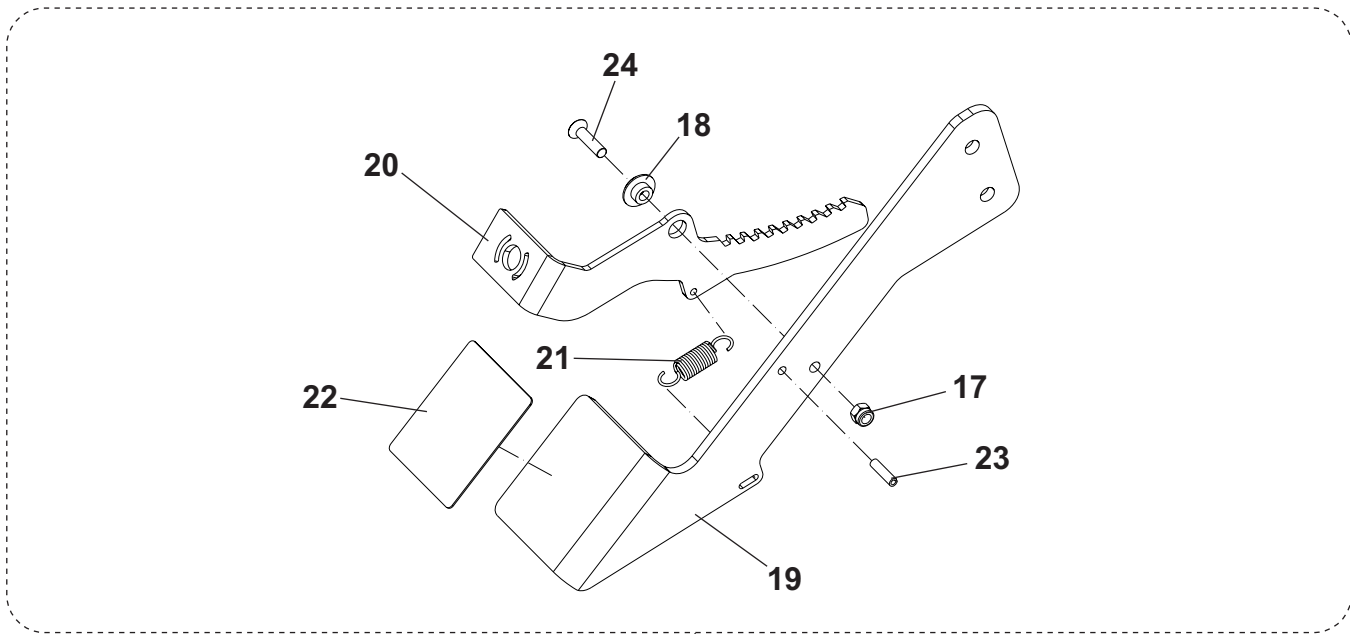
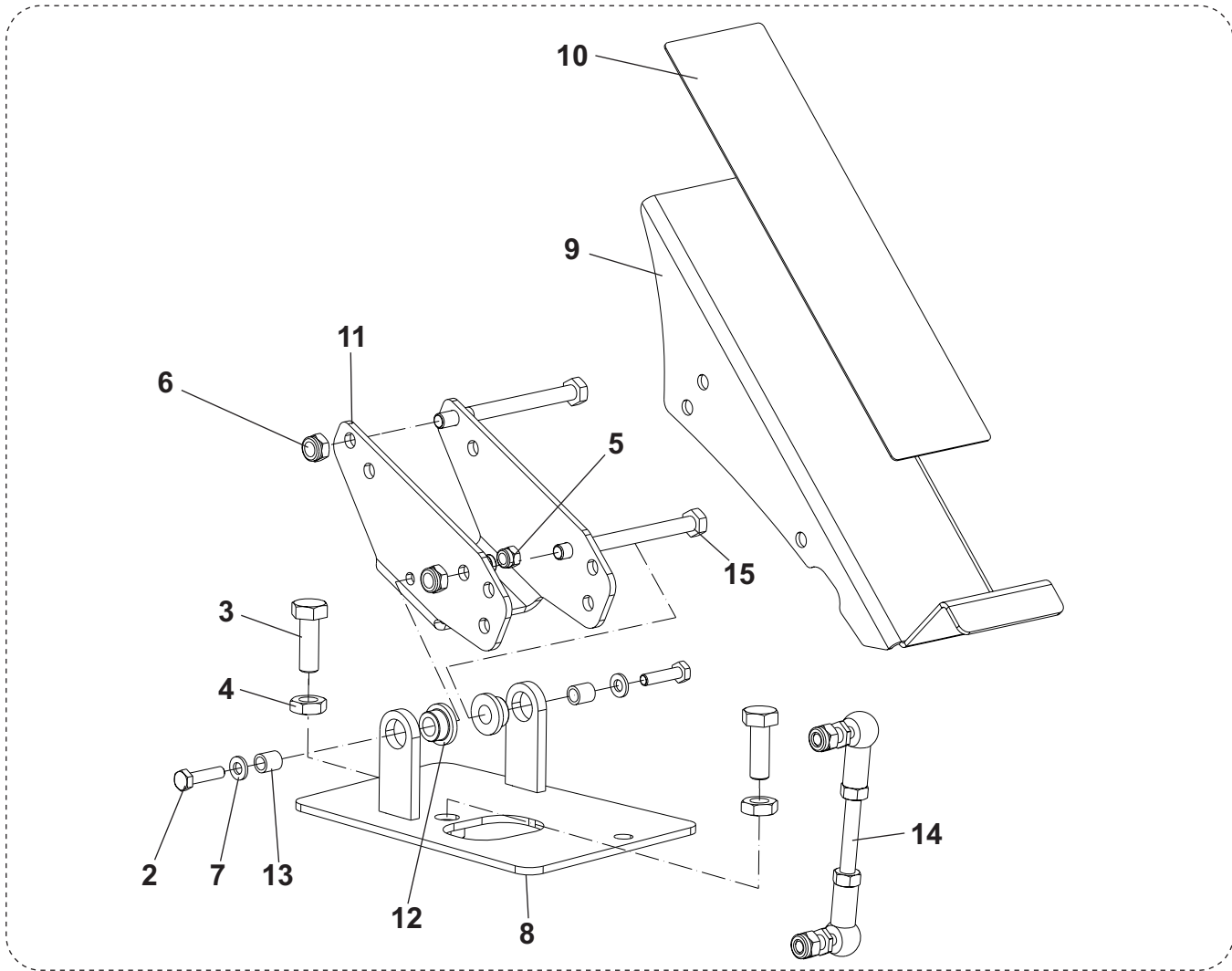




**CONTROL ASSEMBLY**

KIT	ITEM	REF. NO.	QTY	DESCRIPTION	NOTE
	1	8-33-02360	1	HOLE HEAT SHIELD	
K1-2	2		2	SCREW M4X12 UNI7687	
K3-4	3		2	SCREW 6X25	
K4	4		4	WASHER 6X18 UNI6593	
K2-4	5		6	WASHER 8X32 UNI6593	
K4	6		2	SCREW M6X12 UNI5739	
K2-4	7		3	SCREW M8X35 UNI5739	
K2-4	8		5	NUT SELF L. M8 UNI7473	
K3-4	9		1	WASHER M6 UNI8842A	
K4	10		2	SCREW THREAD ROLLING	
K2-4	11		1	SCREW THREAD ROLLING	
K2-3-4	12		4	SCREW THREAD ROLLING	
	13	33017163	1	PLATE	
	14	33017164	1	RUBBER LEVER COVER	
	15	33017169	1	WATER TANK KIT	
	15	33021154	1	COVER SIDE PLASTIC GREY	
K3	16	33017175	1	PLATE REAR COVER LATCH	
	17	33017176	1	LATCH SLAM	
	18	33017224	1	COVER PLATE NON TILT STEERING WHEEL	
	19	33017246	1	PLATE	
	20	33017256	1	CONSOLE PLASTIC GREY	
K1-2-4	21		13	SCREW 4.8X16 UNI6954	
	22	33017355	1	HARNESS MACHINE ENGINE	
K4	23		2	SCREW M8X35 UNI5933	
K3-4	24		7	SCREW M5X16 UNI7687	
	25	33017379	1	DECAL DISTRIBUTOR	
	26	909 5836 000	3	COVER HOLE PLASTIC BLACK	
	27	33018170	1	STEERING WHEEL D.362 TAPER 1/12	
K1	28		1	LATCH HOPPER COVER	
	29	145 3801 000	1	HORN 12V 112DB	
	30	33022642	1	BUZZER REVERSE GEAR ENGINE KIT	(3019168) INSTALLATION INSTRUCTIONS
	31	33022403	1	BRACKET FOR SENSOR ENGINE VERSION	UNTIL S/N 38100134500024 - TSB FC 2013-148
	32#	1466507000	1	MICROSWITCH 10A 250V SIP	
	[K1]#	33023646	1	LATCH SOFT DRAW RUBBER KIT	ITEM 2-21-28
	[K2]	33020341	1	HARDWARE CONTROL LEFT KIT	ITEM 2-5-7-8-11-12-21
	[K3]	33018861	1	BLOCK BONNET KIT	ITEM 3-9-16-22-24 PAG 29 17-23
	[K4]	33020342	1	HARDWARE CONTROL RIGHT KIT	ITEM 3-4-5-6-7-8-9-10-11-12-21-23-24

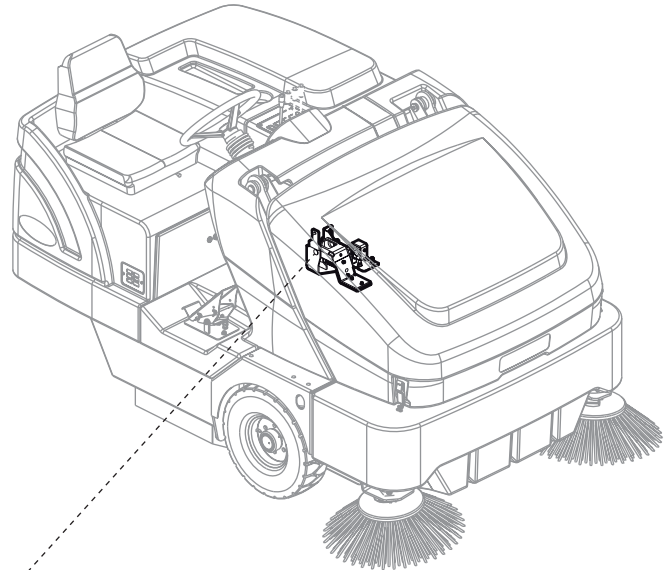
**PEDALS SYSTEM**



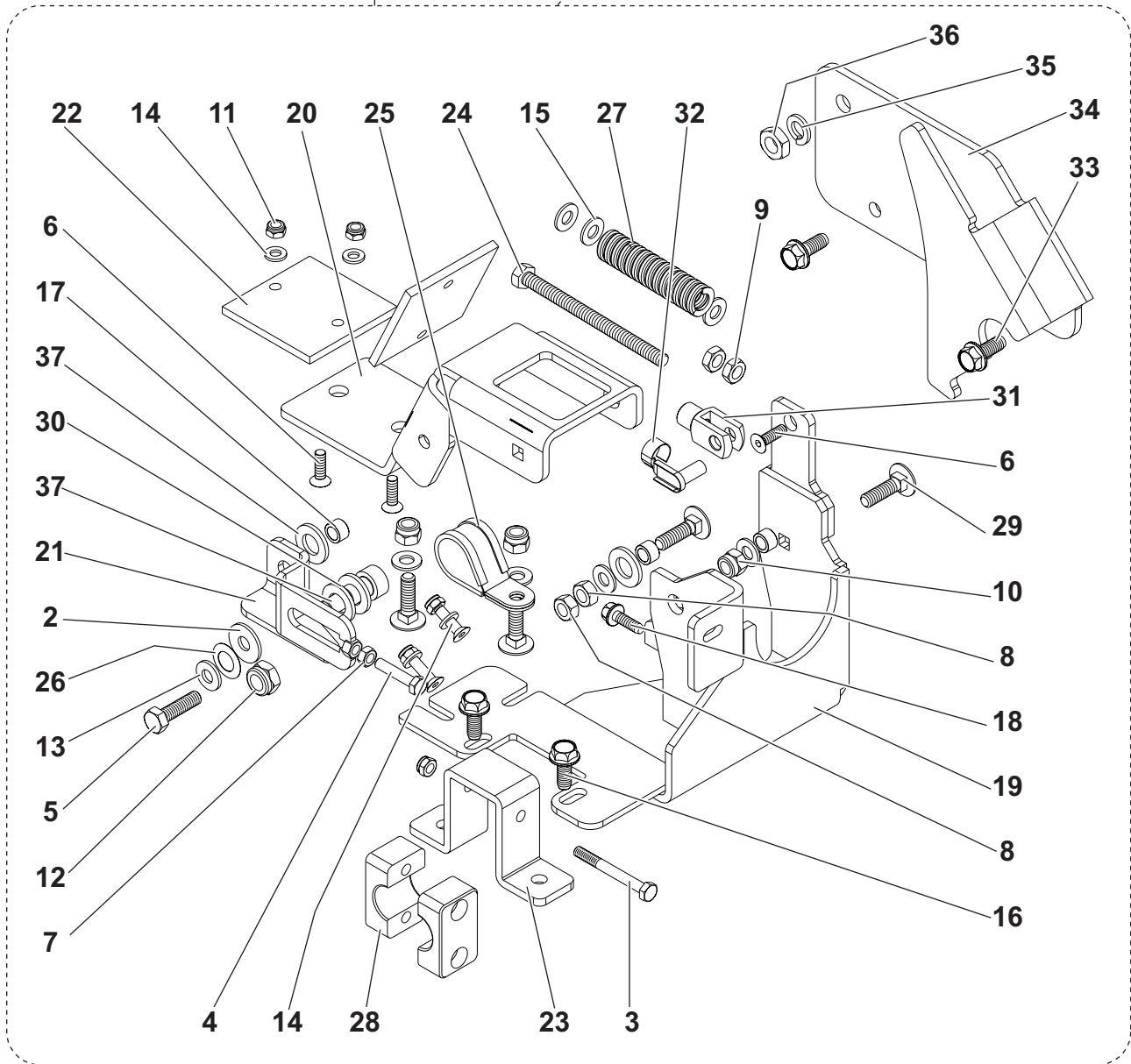
**PEDALS SYSTEM**

KIT	ITEM	REF. NO.	QTY	DESCRIPTION	NOTE
	1	33018841	1	FOOT PEDAL UPPER KIT	
K1	2		2	SCREW M6X25 UNI5739	
K1	3		1	SCREW HEX M10X35 UNI5739	
K1	4		2	NUT HEX M10 UNI5589	
K1	5		2	NUT SELF L. M6 UNI7473	
K1	6		2	NUT SELF L. M8 UNI7474	
K1	7		2	WASHER M6 UNI6592	
	8	33017203	1	MOUNT WELDED PEDAL	
	9	33017204	1	FOOT PEDAL UPPER	
	10	33017205	1	MAT PEDAL	
	11	33017206	1	FOOT PEDAL LOWER	
	12	33017216	2	BEARING FLANGE IGLIDUR MFM-1016-10	
	13	33017217	2	BUSHING	
	14	33018842	1	CONNECTION PEDAL KIT	
K1	15		2	SCREW M8X95 UNI5737	
	16	33018845	1	PEDAL BRAKE KIT	
K1	17		1	NUT SELF L. M6 UNI7473	
	18	33017178	1	BUSH	
	19	33017197	1	PEDAL BRAKE	
	20	33017198	1	PARKING BRAKE LEVER	
	21	33017199	1	SPRING EXTENTION D.E.12.5 WIRE D.1.5	
	22	33017259	1	MAT PEDAL	
K1	23		1	PIN SPRING 5X20	
K1	24		1	SCREW M6X25 UNI5933	
	[K1]	33020416	1	HARDWARE ACC. PEDAL KIT	ITEM 2-3-4-5-6-7-15-17-23-24

### SPEED LIMITING



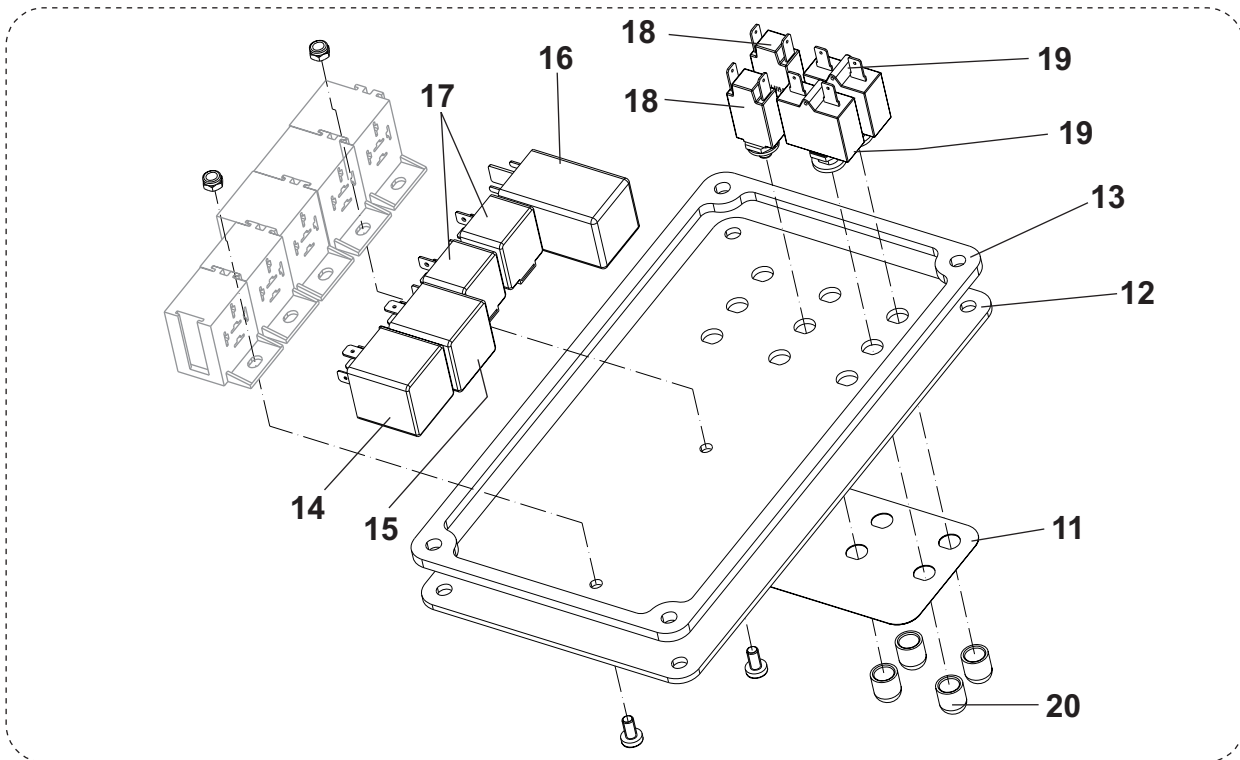
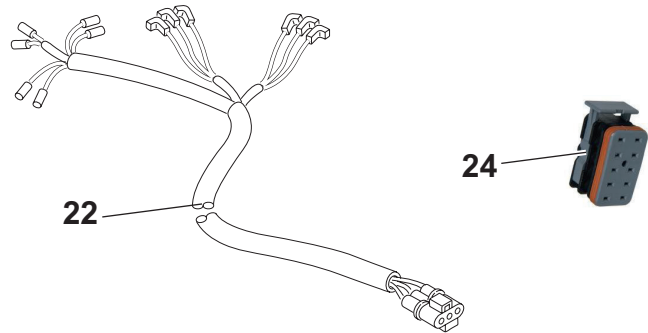
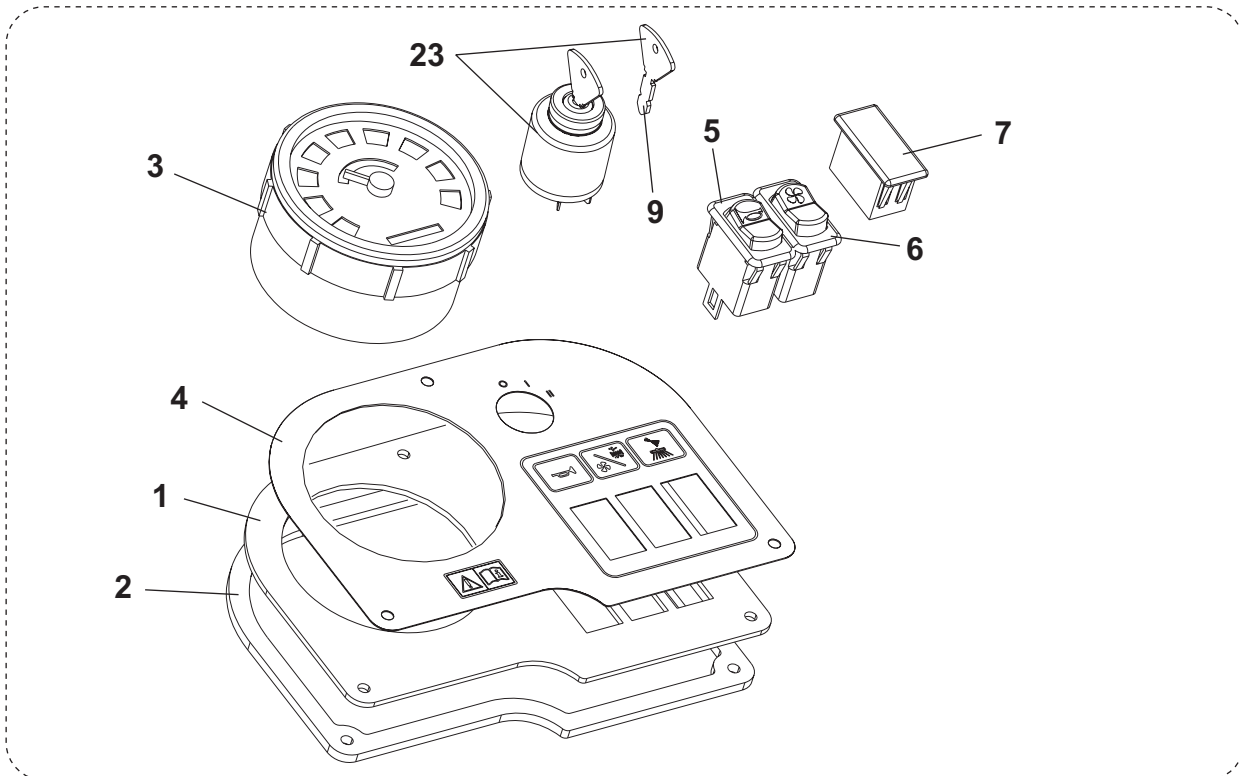
1



**SPEED LIMITING**

KIT	ITEM	REF. NO.	QTY	DESCRIPTION	NOTE
	1		4	WASHER M12 UNI6592	
	2		1	WASHER 8X24 UNI6593	
	3		1	SCREW M6X55 UNI5737	
	4		1	SCREW M6X30 UNI5739	
	5		1	SCREW M8X30 UNI5739	
	6		5	SCREW M6X20 UNI5933	
	7		1	NUT HEX M6 UNI5588	
	8		2	NUT HEX M8 UNI5588	
	9		2	NUT HEX M8 UNI5589	
	10		3	NUT SELF L. M8 UNI7473	
	11		5	NUT SELF L. M6 UNI7474	
	12		1	NUT SELF L. M10 UNI7474	
	13		1	WASHER M8 UNI8836	
	14		4	WASHER M6 UNI6592	
	15		7	WASHER M8 UNI6592	
	16		2	SCREW THREAD ROLLING	
	17		3	SPACER	
	18		1	SCREW THREAD ROLLING	
	19	33019995	1	BASE SPEED LIMITING	
	20	33019996	1	LEVER SPEED LIMITING	
	21	33019997	1	LEVER ADJUSTER	
	22	33019998	2	PLATE FOR SPEED LIMITING	
	23	33020212	1	SUPPORT COLLAR	
	24		1	SCREW M8X110 UNI5739	
	25	33020367	1	CLAMP HOSE D.25	
	26	146 0617 000	1	BELLEVILLE WASHER	
	27		1	SPRING	
	28		1	COLLAR.PIPE FIXING D.22	
	29		4	SCREW M8X30 UNI5731	
	30		1	SCREW SHOULDER M12X16	
	31		1	FORK M8	
	32		1	KLIPP M8	
	33		4	SCREW THREAD ROLLING	
	34	33020565	1	BRACKET SAFETY GUIDE	
	35		1	WASHER M10 UNI1751B	
	36		1	NUT HEX M10 UNI5589	
[K1]		33020350	1	SPEED LIMITING HARDWARE KIT	ITEM 1-2-3-4-5-6-7-8-9-10-11-12-13-14-15-16-17-18-24-27-28-29-30-31-32-33--35-36-37

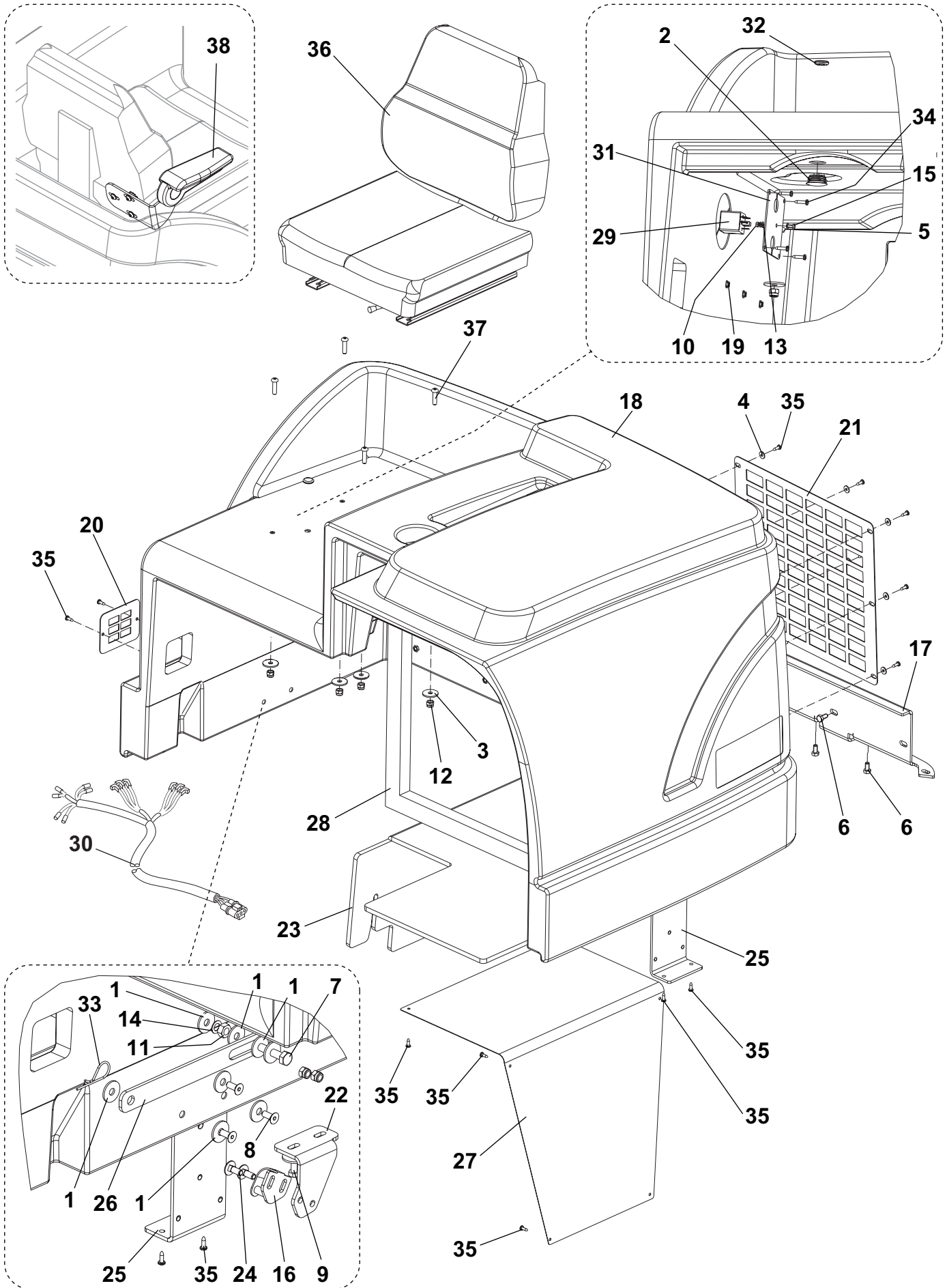
### CONTROL PANEL AND RELAYS



**CONTROL PANEL AND RELAYS**

KIT	ITEM	REF. NO.	QTY	DESCRIPTION	NOTE
	1	33017222	1	PLATE SWITCH PANEL	
	2	33017223	1	GASKET PLATE	
	3#	1466192000	1	GAUGE 12V SIP	
	4	33021047	1	DECAL CONTROL PANEL	
	5	33018844	1	SWITCH HORN KIT	
	6	33018843	1	SWITCH SUCTION KIT	
	7	909 5836 000	1	COVER HOLE PLASTIC BLACK	
	9#	1467014000	1	KEY F STARTER SWITCH 2 PCS SET	
	11	33017249	1	DECAL FUSES	
	12#	33023368	1	PLATE RELAYS SUPPORT KIT	
	13	33017381	1	GASKET F PLATE RELAYS SUPPORT	
	14#	1466194000	1	RELAY TIMER 0.5 SEC. SIP	
	15#	1466193000	1	RELAY TIMER 20 SECONDS SIP	
	16	33019990	1	RELAY HEATING PLUGS	ONLY DIESEL VERSION
	17	146 3113 000	2	RELAY 12V 70A	
	18	33017360	2	CIRCUIT BREAKER 16A	
	19	909 5706 000	2	CIRCUIT BREAKER 30A	
	20	33017386	4	CAP RUBBER 3/8 F CIRCUIT BREAKER	
	22	33017358	1	HARNESS CONTROL PANEL ENGINE	
	23	33020442	1	SWITCH IGNITION STARTER W/SPARE KEY KIT	
	24	33017330	3	CONNECTOR CPL F SWITCH	

### REAR COVER ASSY

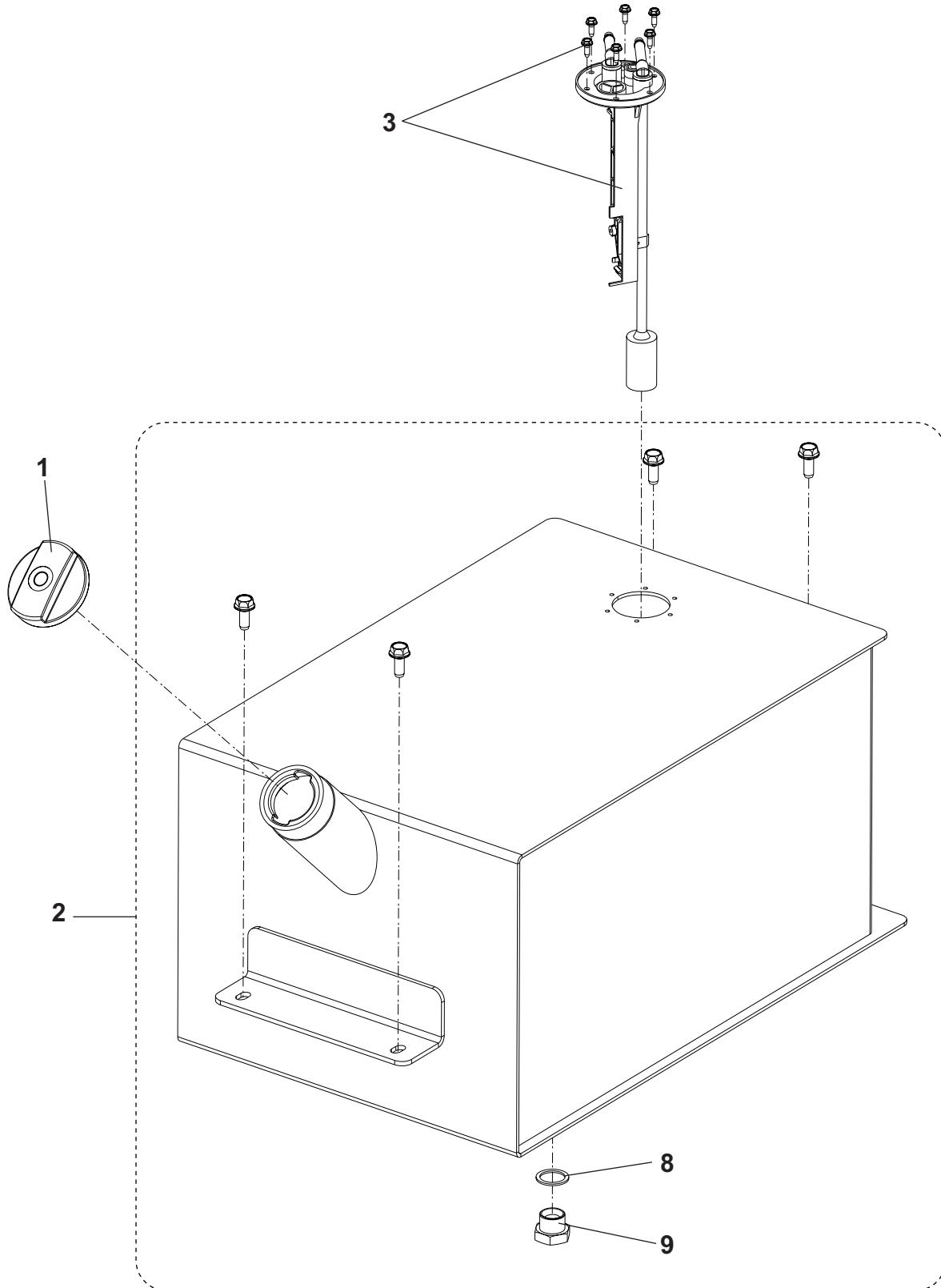




**REAR COVER ASSY**

KIT	ITEM	REF. NO.	QTY	DESCRIPTION	NOTE
K1-2-3	1		16	WASHER 10X30 UNI6592	
K3	2		1	CAP TANK	
K3	3		6	WASHER 8X32 UNI6593	
K3	4		6	WASHER 5X15 UNI6593	
K3	5		1	SCREW M4X10 UNI5739	
K2-3	6		6	SCREW M8X16 UNI5739	
K1-3	7		2	SCREW M10X45 UNI5739	
K2-3	8		6	SCREW M8X20 UNI5933	
K3	9		2	SCREW M8X20 UNI5739	
K3	10		1	NUT HEX M4 UNI5588	
K1-3	11		2	NUT HEX M10 UNI5588	
K3	12		6	NUT SELF L. M8 UNI7473	
K3	13		1	WASHER M4 UNI8842A	
K1-3	14		2	WASHER M10 UNI8842A	
K3	15		2	WASHER M4 UNI6592	
	16	33017177	1	CATCH LATCH	
K2	17		1	BRACKET HINGE	
	18	33017230	1	COVER REAR ENGINE PLAST. GREY	
K3	19		4	TIE INSERT PLASTIC	
	20	33017244	1	GRILL SIDE SMALL	
	21	33017247	1	GRILL REAR	
	22	33017261	1	PLATE CATCH	
	23	33017682	1	COVER THERMIC INSULATOR	
K3	24		2	SCREW M8X20 UNI5732	
K2	25		2	BRACKET FOR STOP COVER	
K1	26		2	ROD CONNECTING STOP COVER	
	27	33018732	1	BRACKET CLOSING REAR COVER	
	28	33018759	1	GASKET FOR RADIATOR	
	29#	1466196000	1	RELAY TIMER 0.5 SECONDS SIP	
	30	33019697	1	HARNESS REAR COVER ENGINE	
	31	33019718	1	COMPARTMENT LID TIMER	
K3	32		1	NUT M10X1.5 UNI7473	
K1-3	33		2	PANEL ENGINE COMPARTMENT	
K3	34		4	SCREW 4.2X19 UNI6954	
K2-3	35		18	SCREW 4.8X16 UNI6954	
	36#	1467028000	1	SEAT SIP	
K3	37		4	SCREW M8X30 ISO7380	
	<b>38*</b>	<b>33019556</b>	<b>1</b>	<b>ARMREST RT SEAT KIT</b>	
	<b>[39]*</b>	<b>33019554</b>	<b>1</b>	<b>BELT SEAT KIT</b>	
	[K1]	33018862	1	BONNET BLOCK KIT	ITEM 1-7-11-14-26-33
	[K2]	33019103	1	REINFORCEMENT BONNET KIT	ITEM 1-6-8-17-25-35
	[K3]	33020340	1	HARDWARE REAR COVER KIT	ITEM 1-2-3-4-5-6-7-8-9-10-11-12-13-14-15-19-24-32-33-34-35-37
	[K4]#	33020021	1	TIMER MICRO SEAT KIT	(33020022) INSTALLATION INSTRUCTIONS SEE TSB-IT 2009-036

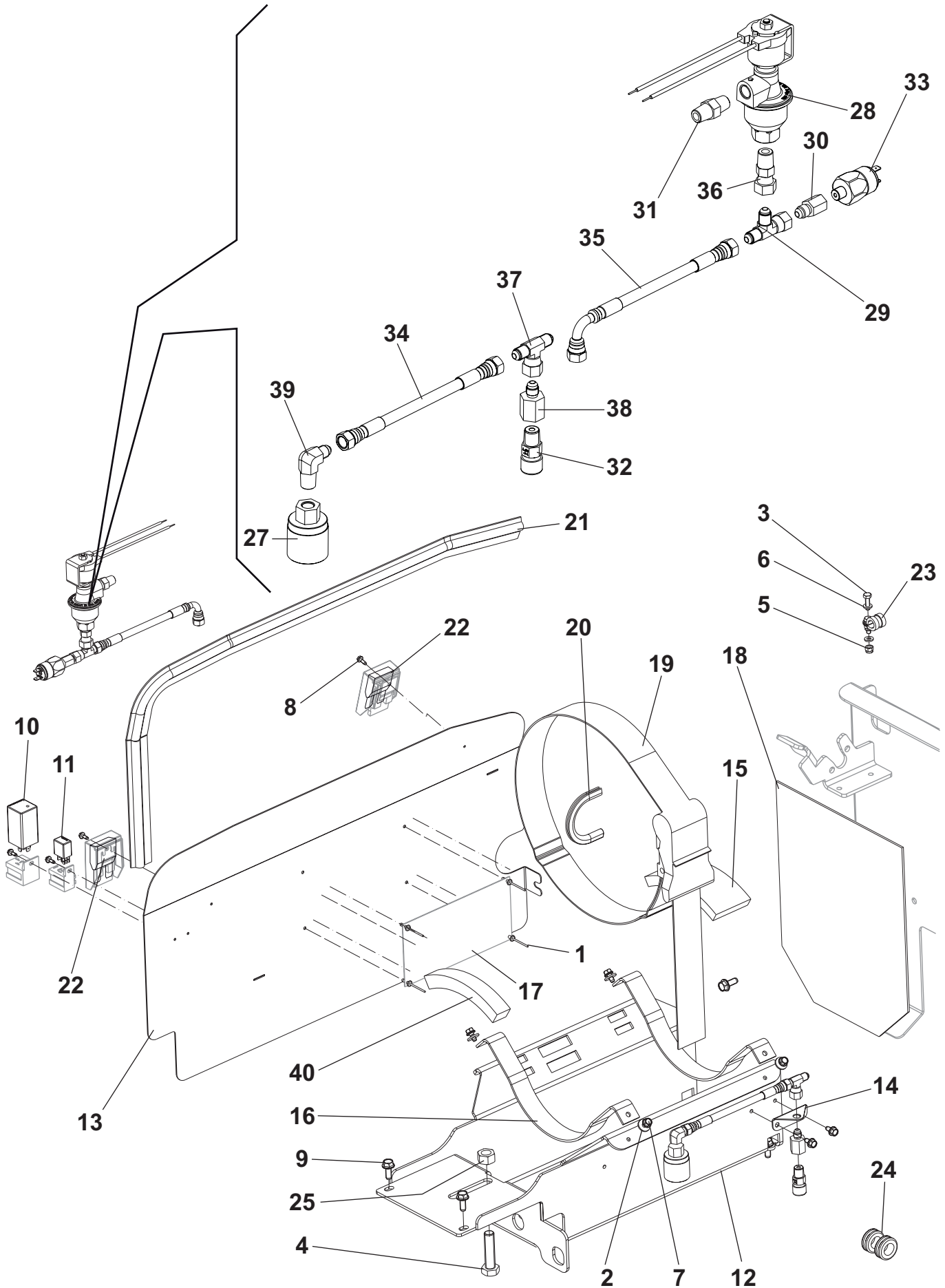
# ASSY FUEL TANK



**ASSY FUEL TANK**

KIT	ITEM	REF. NO.	QTY	DESCRIPTION	NOTE
	1#	33023342	1	CAP W/TETHER SIP	
	2	33018863	1	TANK FUEL KIT	ITEM 8-9
	3	33018864	1	INDICATOR LEVEL FUEL KIT	(33021923) INSTALLATION INSTRUCTIONS
	8#	1466786000	1	GASKET COPPER 1/2 10 PCS SET	
	9	33011456	1	PLUG 1/2"	

ASSY LPG SUPPORT (FOR MACHINE UNTIL DEC 2011)



**ASSY LPG SUPPORT (FOR MACHINE UNTIL DEC 2011)**

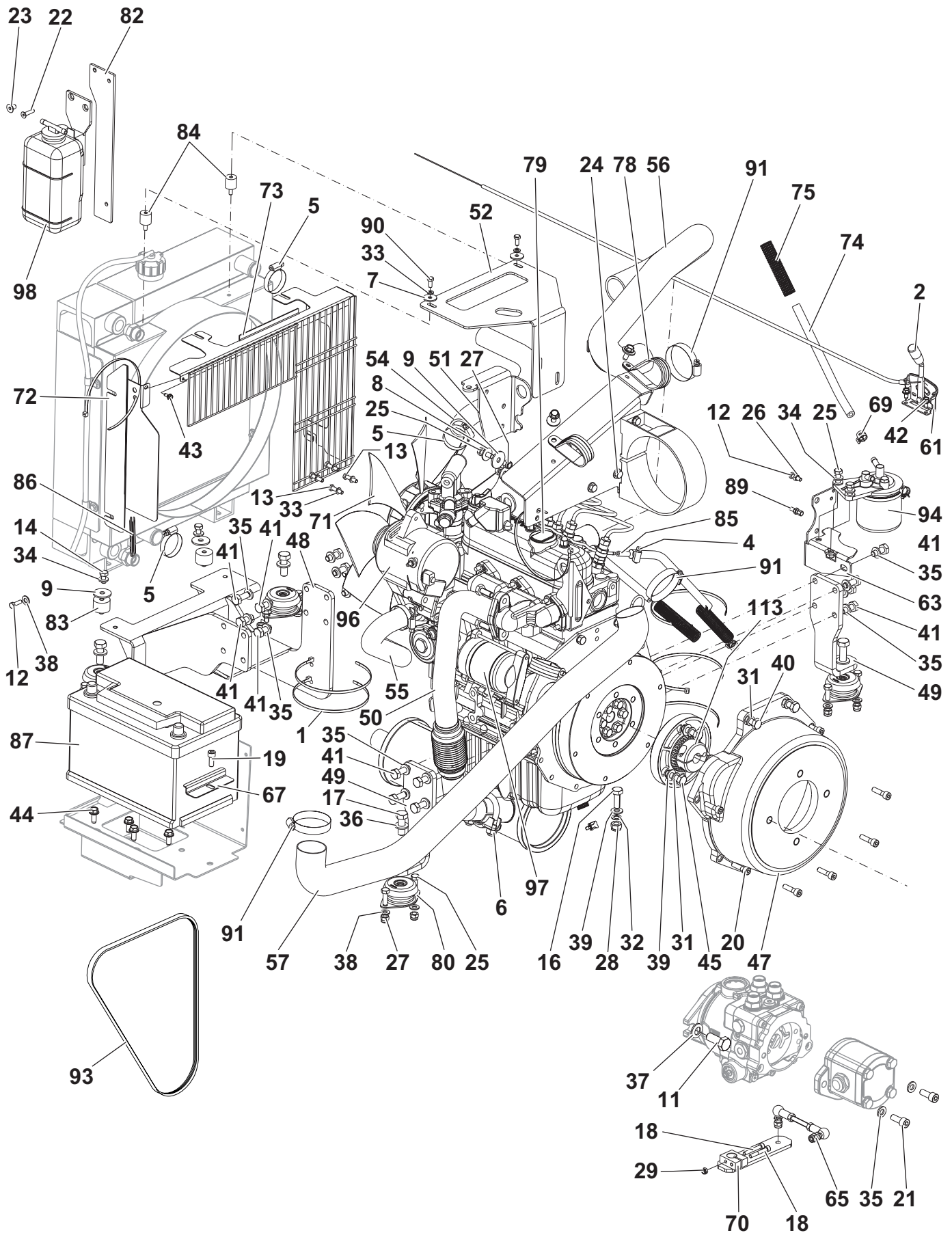
KIT	ITEM	REF. NO.	QTY	DESCRIPTION	NOTE
	1		4	RIVET D4	
K2	2		4	WASHER 6X18 UNI6593	
K2	3		2	SCREW M6X20 UNI5739	
K2	4		1	SCREW M14X55 UNI5739	
K2	5		2	NUT SELF L. M6 UNI7473	
K2	6		4	WASHER M6 UNI6592	
K2	7		6	SCREW THREAD ROLLING	
K2	8		4	HOSE HYDRAULIC 1/4 L 440	
K2	9		5	SCREW THREAD ROLLING	
	10#	1466195000	1	TIMER SIP	
	11	33009141	1	MICRO RELAY 12V CHANGEOVER	
	12	33018366	1	SUPPORT	
	14	33019841	1	BRACKET FOR FITTING	
	15	33019908	1	GASKET TANK LPG	
	16	33019909	2	PROTECTION RUBBER F LPG TANK HOUSING	
	18	33019929	1	BAND POLYESTER W/RACKET SIP	
	19#	1467064000	1	GASKET U SHAPED PVC L.150MM	
	20	33020027	1	GASKET U SHAPED PVC L.150MM	
	21	33020028	1	GASKET BULB REINFORCED L.995MM	
	22	146 1873 000	2	FUSE BLADE 50A	
	23	909 5896 000	4	CLAMP HOSE D.12	
K2	24		2	NUT M10X1.5 UNI7473	
K2	25		1	NUT HEX M14 UNI5588	
K1	26		1	ELBOW 90° 1/4" NPT M/ 7/16" JIC M	
	27	33019848	1	CONNECTOR CHECK 1/4 NPT	
	28	33017756	1	SOLENOID VALVE 12V THREADS 1/4 NPT UL AP	
K1	29		1	T FITTING 7/16 JIC	
K1	30		1	ADAPTER 7/16JIC-1/8 NPTF	
K1	31		1	NIPPLE 1/4 NPT	
	32#	1467063000	1	VALVE SECURITY 400PSI SIP	
	33	33022290	1	SWITCH PRESSURE 1.1 BAR SIP	
	34	33019309	1	HOSE LPG SYSTEM L. 620MM	
	35	33019310	1	HOSE LPG SYSTEM L. 1450MM	UNTIL S/N 3810115200001
K1	36		1	ADAPTER 7/16JIC-1/4 NPT	
K1	37		1	T FITTING 7/16 JIC	
K1	38		1	ADAPTER M1/4NPT-F7/16JIC	
K2	40	33020059	1	GASKET ADHESIVE	
	[K1]	33020417	1	FITTINGS SOLENOID VALVE KIT	ITEM 26-29-30-31-36-37-38
	[K2]	33020343	1	HARDWARE SUPPORT TANK KIT	ITEM 1-2-3-4-5-6-7-8-9-24-25



**ASSY SUPPORT 3 CYL LPG (FOR MACHINE STARTING FROM JAN 2012)**

KIT	ITEM	REF. NO.	QTY	DESCRIPTION	NOTE
	1		4	RIVET D4	
K1	2		4	WASHER 6X18 UNI6593	
K1	3		2	SCREW M6X20 UNI5739	
K1	4		1	SCREW M14X55 UNI5739	
K1	5		2	NUT SELF L. M6 UNI7473	
K1	6		4	WASHER M6 UNI6592	
K1	7		6	SCREW THREAD ROLLING	
K1	8		4	HOSE HYDRAULIC 1/4 L 440	
K1	9		5	SCREW THREAD ROLLING	
	10#	1466195000	1	TIMER SIP	
	11	33009141	1	MICRO RELAY 12V CHANGEOVER	
	12	33018366	1	SUPPORT	
	14	33019841	1	BRACKET FOR FITTING	
	15	33019908	1	GASKET TANK LPG	
	16	33019909	2	PROTECTION RUBBER F LPG TANK HOUSING	
	18	33019929	1	RUBBER GAS TANK	
	19#	1467064000	1	BAND POLYESTER W/RACKET SIP	
	20	33020027	1	GASKET U SHAPED PVC L.150MM	
	21	33020028	1	GASKET BULB REINFORCED L.995MM	
	22	146 1873 000	2	FUSE BLADE 50A	
	23	909 5896 000	4	CLAMP HOSE D.12	
K1	24		2	NUT M10X1.5 UNI7473	
K1	25		1	NUT HEX M14 UNI5588	
	26	33020059	1	GASKET ADHESIVE	
	27	33019848	1	CONNECTOR CHECK 1/4 NPT	
	28	33017756	1	SOLENOID VALVE 12V THREADS 1/4 NPT UL AP	
	29	1463840000	1	FITTING 1/4 A-A-A NPT	
	30	33022117	1	PIPE D.8MM GALVANIZED F LPG	
	31	33022345	1	LPG HOSE KIT	
	32#	1467063000	1	VALVE SECURITY 400PSI SIP	
	33	33022289	1	SWITCH PRESSURE 2.5 BAR SIP	
	34	33022436	1	FIXING HOSE KIT	
	35	33022437	1	PLATE FIXING KIT	
	36	33022438	1	FITTINGS LPG KIT	
[K1]	33020343		1	HARDWARE SUPPORT TANK KIT	ITEM 2-3-4-5-6-7-8-9-24-25

ASSY ENGINE 3 CYL DIESEL (FOR DISCONTINUED VERSION)

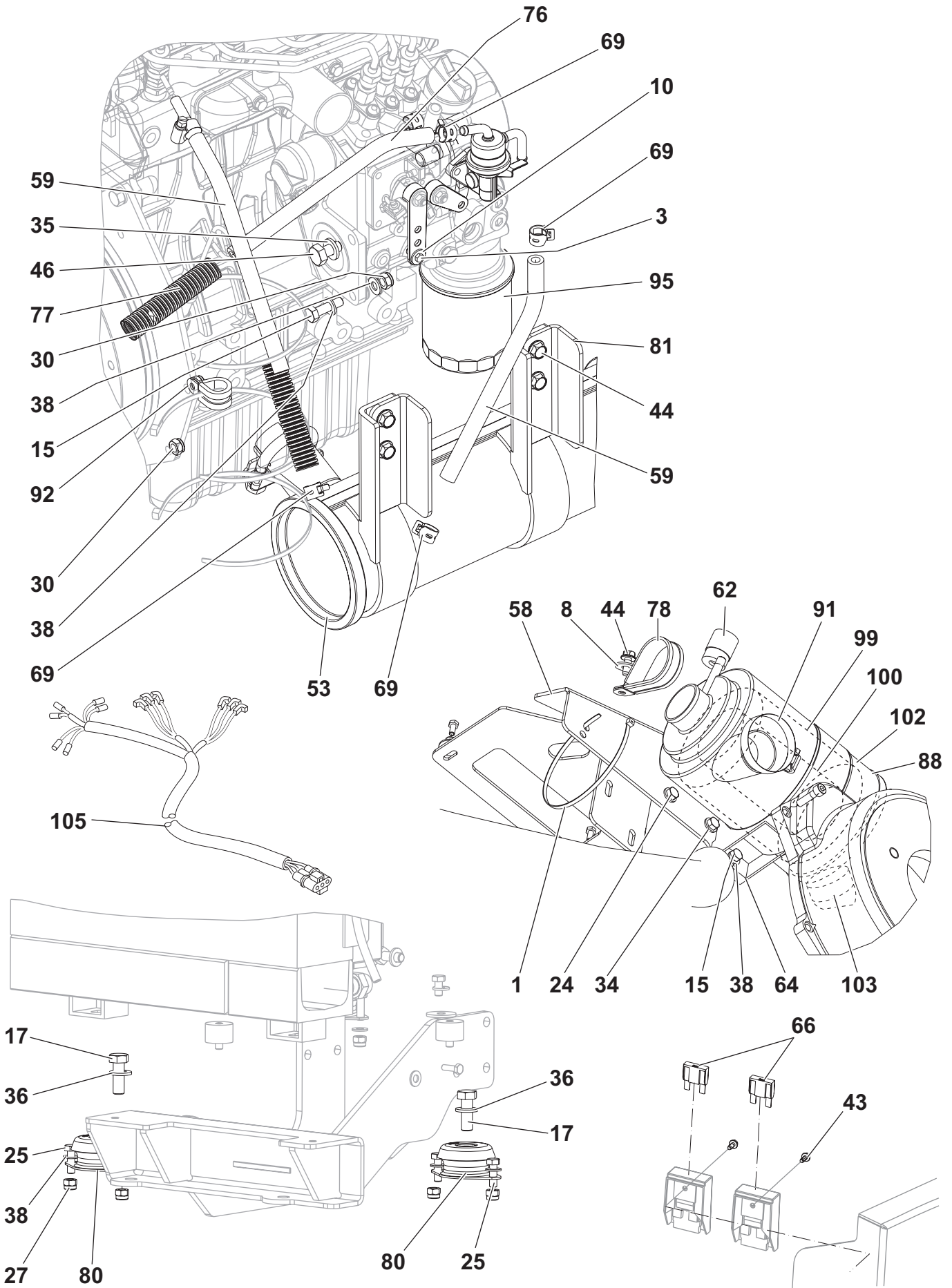




**ASSY ENGINE 3 CYL DIESEL (FOR DISCONTINUED VERSION)**

KIT	ITEM	REF. NO.	QTY	DESCRIPTION	NOTE
K5	1#	1466344000	2	TIE CABLE 4.8x200 BLACK 10 PCS SET	
K1	2	L08812349	1	KNOB	
	3#	145 9366 000	1	HOLDFAST CABLE D.3	
	4#	33023594	1	CLAMP HOSE 8-12/9 DIN3017 2 PCS SET	
K5	5	33003548	4	CLAMP.D.30-45	
K5	6	33003557	1	COLLAR	
K3-5	7		2	WASHER 6X24 UNI6593	
K5	8		4	WASHER 8X24 UNI6593	
K3-5	9		6	WASHER 8X32 UNI6593	
K5	10		1	WASHER 5X15 UNI6593	
K5	11		2	SCREW M14X35 UNI5739	
K5	12		2	SCREW M6X20 UNI5739	
K5	13		4	SCREW M6X25 UNI5739	
K3-5	14		2	SCREW M8X16 UNI5739	
K5	15		3	SCREW M8X30 UNI5739	
K5	16		1	SCREW HEX M10X30 UNI5739	
K2-5	17		4	SCREW M12X35 UNI5739	
K5	18		2	SCREW M6X40 UNI5931	
K5	19		1	SCREW M8X20 UNI5931	
K5	20		8	SCREW M8X30 UNI5931	
K5	21		2	SCREW M10X25 UNI5931	
K5	22		1	SCREW M6X25 UNI5933	
K5	23		1	SCREW M8X12 UNI5933	
K5	24		2	SCREW M8X20 UNI5739	
K2-5	25		12	SCREW M8X25 UNI5739	
K5	26		1	NUT HEX M6 UNI5588	
K2-5	27		10	NUT SELF L. M8 UNI7473	
K5	28		1	NUT SELF L. M10 UNI7473	
K5	29		1	NUT SELF L. M6 UNI7474	
K5	30		6	NUT SELF L. M8 UNI7474	
K5	31		7	WASHER M10 UNI1751B	
K5	32		1	WASHER M10 UNI8842A	
K3-5	33		6	WASHER M6 UNI8836	
K3-5	34		6	WASHER M8 UNI8836	
K5	35		19	WASHER M10 UNI8836	
K2-5	36		4	WASHER M12 UNI8836	
K5	37		2	WASHER M14 UNI8836	
K2-5	38		14	WASHER M8 UNI6592	
K5	39		4	WASHER M10 UNI6592	
K5	40		2	SCREW M10X1.25X30 UNI5740	
K5	41		18	SCREW M10X1.25X25 UNI5740	
K1-5	42		2	SCREW THREAD ROLLING	
K5	43		3	SCREW THREAD ROLLING	
K5	44		10	SCREW THREAD ROLLING	
K5	45		3	SCREW M10X1,25X40 UNI5740	
K5	46		1	SCREW M10X1,25X20 UNI5740	
	47	33017208	1	BELLHOUSING CPL F KUBOTA ENGINE D1105	
	48	33017209	1	SUPPORT REAR KUBOTA DIESEL ENGINE	
	49	33017210	2	SUPPORT FRONT KUBOTA DIESEL ENGINE	
	50	33017211	1	TUBE EXHAUST PIPE	
	51	33017226	1	BRACKET RADIATOR MOUNT UPPER	
	52	33017227	1	BRACKET RADIATOR MOUNT UPPER	
	53	33017231	1	MUFFLER	
	54#	33023345	1	HOSE UPPER RADIATOR L.400MM SIP	
	55#	33021214	1	HOSE LOWER L.250MM RADIATOR SIP	
	56	33022132	1	TUBE AIR INTAKE KIT	UNTIL S/N 3810114900065 (33022131) INSTALLATION INSTRUCTIONS
	56	33021001	1	TUBE RUBBER DIESEL ENGINE AIR INTAKE	STARTING FROM S/N 3810114900066
	57	33023145	1	HOSE AIR INTAKE SIP	
	58	33021002	1	SUPPORT AIR FILTER	STARTING FROM S/N 3810114900066
K4	59#	33023426	2	HOSE FUEL D.7.9X14.3 L.1500MM SIP	

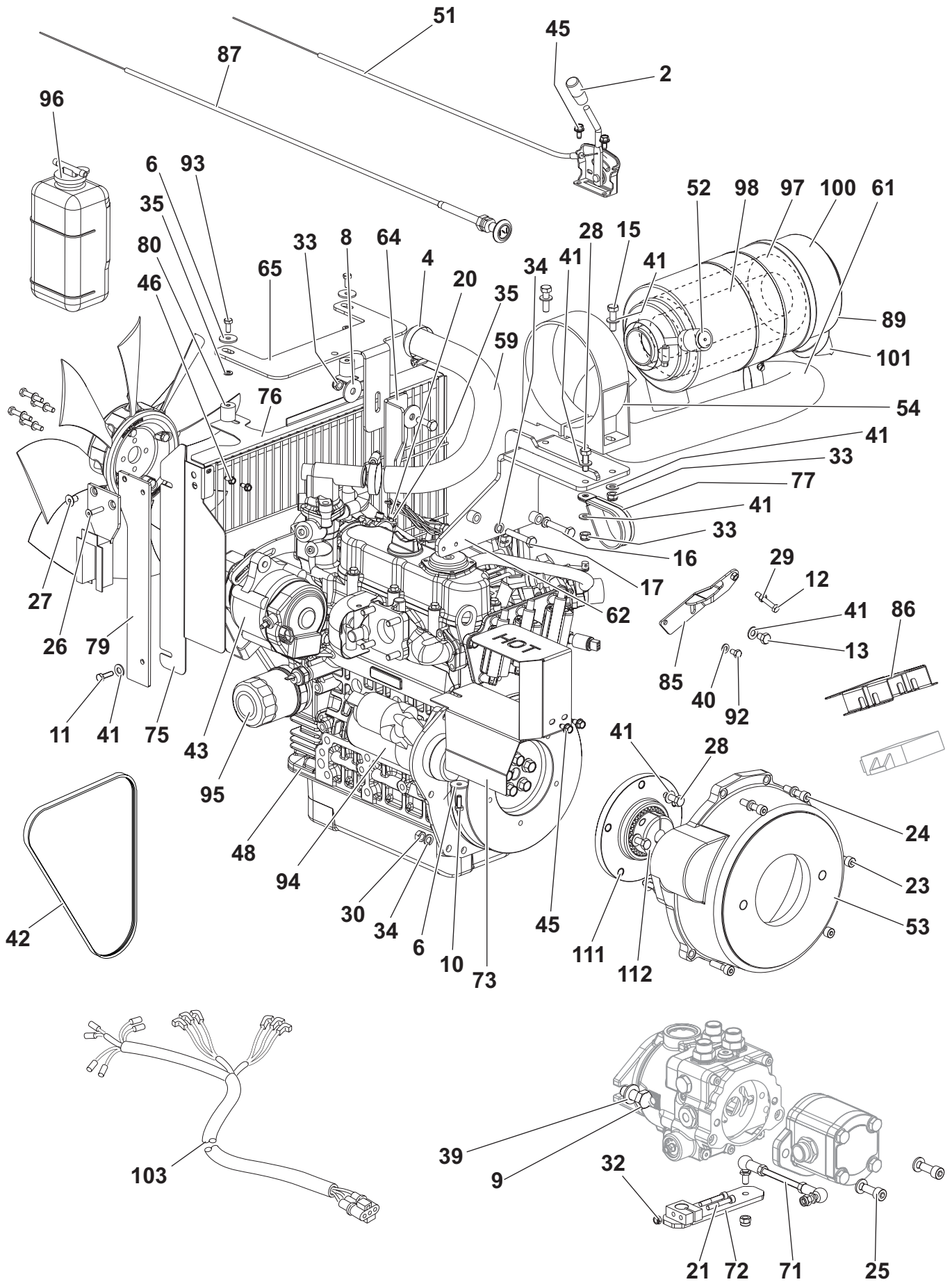
ASSY ENGINE 3 CYL DIESEL (FOR DISCONTINUED VERSION)



**ASSY ENGINE 3 CYL DIESEL (FOR DISCONTINUED VERSION)**

KIT	ITEM	REF. NO.	QTY	DESCRIPTION	NOTE
K1	61	33017250	1	LEVER W/CABLE F THROTTLE	
	62	33017251	1	INDICATOR RESTRICTION SIGNAL SERVICING	
	63	33017253	1	SUPPORT FUEL FILTER	
	64	33017293	1	SUPPORT PLASTIC AIR FILTER	
	65	33020344	1	CONNECTION PEDAL DIESEL KIT	UNTIL S/N 3810113400055
	65	33022112	1	CONNECTION PEDAL KIT	STARTING FROM S/N 3810113400056
	66	146 1873 000	2	FUSE BLADE 50A	
	67	33017441	1	BRACKET MET. F BATTERY GUIDE	
	69	33023016	7	CLAMP 15/12	
	70	33018468	1	WORKING LEVER DIESEL PUMP	UNTIL S/N 3810113400055
	71	33018697	1	FAN MULTIWING D.370 8 BLADE	
	72	33018813	1	PLATE RADIATOR RIGHT	
	73	33018814	1	GRILL SAFETY	
K4	74#	33023427	1	HOSE FUEL D.7.9X14.3 L.350MM SIP	
K4	75	33019106	1	CONDUIT CORRUGATED D.16.2 L.300MM SIP	
K4	76#	33023428		HOSE FUEL D.7.9X14.3 L.400MM SIP	
K4	77	33019108	1	CONDUIT CORRUGATED D.16.2 L.350MM SIP	
	78#	33023619	3	CLAMP HOSE D.50 SIP	
	79	33019460	1	ENGINE DIESEL	
K2	80#	33023297	4	VIBRAT. DAMPER BELL SHAPED M12 D64 SIP	
	81	33019467	2	STIFFENER MUFFLER	
	82	33019468	1	BRACKET F TANK WATER	
K3	83#	33023298	1	VIBRATION DAMPER CYL. M8 M/F 2 PCS SET	
K3	84#	9100001352	2	VIBRATION-DAMPING M6 60SH SIP	
	85	33019551	1	FUEL HOSE 4X9 LENGH 25 MMKIT	
	86	33019552	1	GASKET U SHAPED PVC L.130MM SIP	
	87#	1467085000	1	BATTERY STARTER 12V 77AH-C20 SIP	
	88	145 0231 000	1	FILTER AIR	
	89	145 1179 000	1	ADJUSTER M6X30 GALV.	
K3	90		2	SCREW M6X14 UNI5739	
	91	146 0771 000	4	CLAMP	
K4	92	909 5516 000	1	CLAMP HOSE D.18	
	93	33019148	1	BELT ALTERNATOR	
	94#	33020381	1	FILTER DIESEL	
	95	33018850	1	FILTER OIL ENGINE	
	96	33019147	1	ALTERNATOR 12V 60A	
	97	33019149	1	STARTER	
	98	33019456	1	TANK WATER OVERFLOW W/MOUNT	
	99	33020446	1	FILTER MAIN	
	100	33017438	1	FILTER SAFETY	
	102	33020445	1	BOTTOM FILTER	
	103	33014386	1	EVACUATION VALVE	
	105	33019244	1	HARNESS DIESEL MOTOR KIT	
	106#	33021579	1	OIL FILTER PLUG KIT	
	[111]	33020439	1	GLOW PLUGS KIT SR1601 D3	
	<b>[112]*</b>	<b>33020810</b>	<b>1</b>	<b>PULLEY D3 HT KUBOTA KIT</b>	<b>(33020808) INSTALLATION INSTRUCTIONS</b>
	113	33021980	1	PUMP BELLHOUSING COUPLING KIT	
	[114]	33021581	1	WATER TEMPERATURE SENSOR KIT	
	[K1]	33019119	1	ACCELERATOR KIT	ITEM 2-42-61
	[K2]	33019120	1	VIBRATION DAMPING ENGINE KIT	ITEM 80-38-36-27-25-17
	[K3]	33020419	1	VIBRATION DAMPING RADIATOR KIT	ITEM 83-84-90-33-7-14-34-9
	[K4]#	33023429	1	HOSES DIESEL ENGINE 3 CYL KIT	ITEM 74-75-76-77-60-59-60-92
	[K5]	33020346	1	HARDWARE ENGINE DIESEL KIT	ITEM 1-5-7-8-9-10-11-12-13-14-15-16-17-18-19-20-21-22-23-24-25-26-27-28-29-30-31-32-33-34-35-36-37-38-39-40-41-42-43-44-45-46

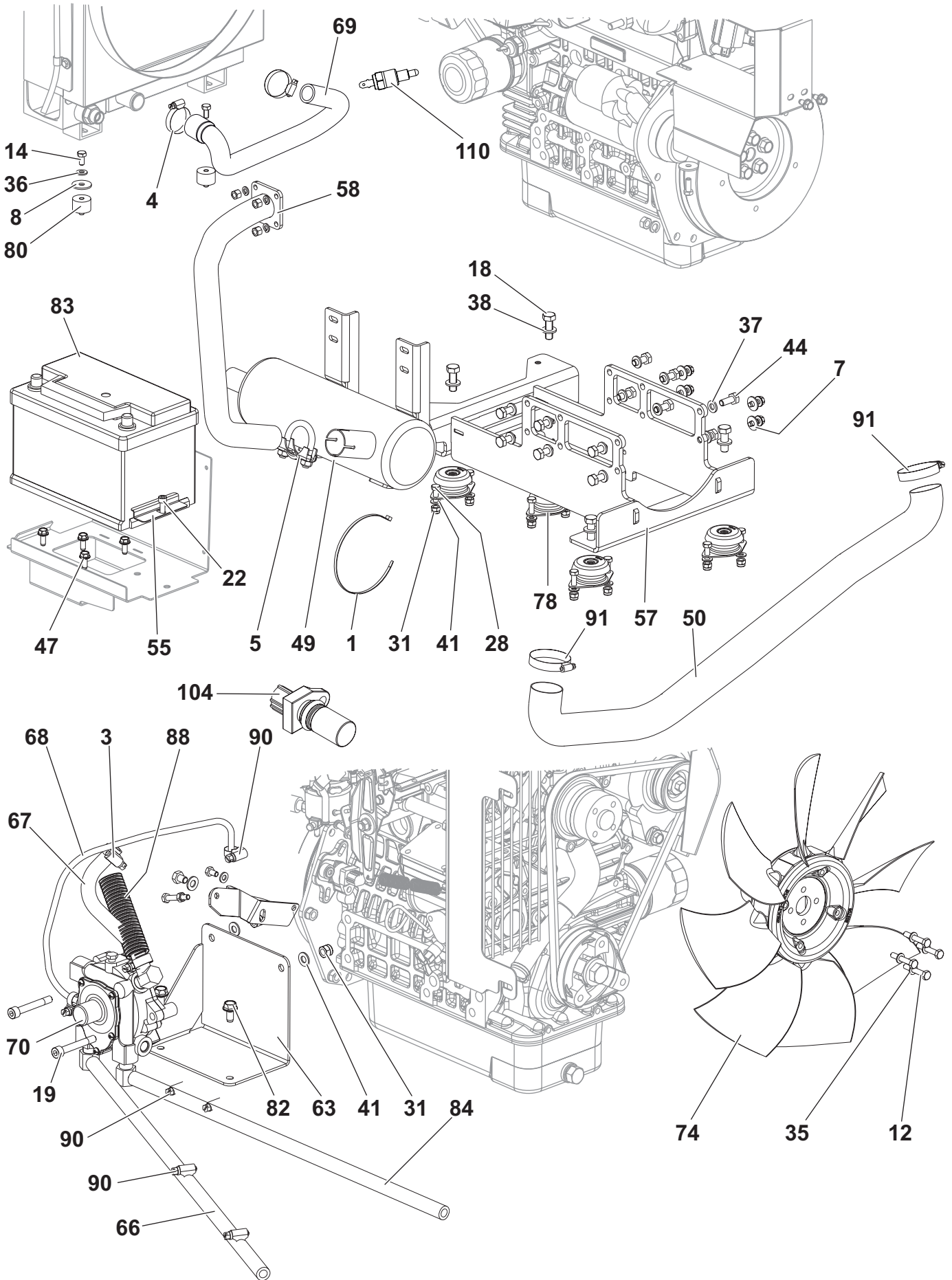
ASSY LPG ENGINE



**ASSY LPG ENGINE**

KIT	ITEM	REF. NO.	QTY	DESCRIPTION	NOTE
	1#	1466344000	2	TIE CABLE 4.8x200 BLACK 10 PCS SET	
K1	2	L08812349	1	KNOB	
K4	3	33003494	2	CLAMP 12-22	
K4	4	33003548	5	CLAMP.D.30-45	
K4	5	33003557	1	COLLAR	
K3-4	6		3	WASHER 6X24 UNI6593	
K4	7		4	WASHER 8X24 UNI6593	
K3-4	8		4	WASHER 8X32 UNI6593	
K4	9		2	SCREW M14X35 UNI5739	
K4	10		1	SCREW M6X16 UNI5739	
K4	11		1	SCREW M6X20 UNI5739	
K4	12		5	SCREW M6X35 UNI5739	
K4	13		1	SCREW M8X10 UNI5739	
K3-4	14		2	SCREW M8X16 UNI5739	
K4	15		2	SCREW M8X30 UNI5739	
K4	16		1	SCREW M8X40 UNI5739	
K4	17		1	SCREW M8X45 UNI5739	
K2-4	18		4	SCREW M12X35 UNI5739	
K4	19		2	SCREW M8X55 UNI5931	
K4	20		2	SCREW M8X16 UNI5739	
K4	21		2	SCREW M8X30 UNI5739	
K4	22		1	SCREW M8X40 UNI5739	
K4	23		3	SCREW M8X45 UNI5739	
K4	24		2	SCREW M12X35 UNI5739	
K4	25		2	SCREW M10X25 UNI5931	
K4	26		1	SCREW M6X25 UNI5933	
K4	27		1	SCREW M8X12 UNI5933	
K2-4	28		15	SCREW M8X25 UNI5739	
K4	29		1	NUT HEX M6 UNI5588	
K4	30		3	NUT HEX M8 UNI5588	
K2-4	31		10	NUT SELF L. M8 UNI7473	
K4	32		1	NUT SELF L. M6 UNI7474	
K4	33		4	NUT SELF L. M8 UNI7474	
K4	34		7	WASHER M8 UNI1751B	
K3-4	35		8	WASHER M6 UNI8836	
K3-4	36		2	WASHER M8 UNI8836	
K4	37		14	WASHER M10 UNI8836	
K2-4	38		4	WASHER M12 UNI8836	
K4	39		2	WASHER M14 UNI8836	
K4	40		1	WASHER M6 UNI6592	
K2-4	41		23	WASHER M8 UNI6592	
	42	33020018	1	BELT F ALTERNATOR DIESEL MOTOR	
	43	33019147	1	ALTERNATOR 12V 60A	
K4	44		12	SCREW M10X1.25X25 UNI5740	
K1	45		4	SCREW THREAD ROLLING	
K4	46		2	SCREW THREAD ROLLING	
K4	47		8	SCREW THREAD ROLLING	
	48	33017064	1	ENGINE PETROL-LPG 972 CC.	
	49	33017231	1	MUFFLER	
	50	33023145	1	HOSE AIR INTAKE SIP	
K1	51	33023150	1	LEVER THROTTLE US VERSION KIT	
	52	33017251	1	INDICATOR RESTRICTION SIGNAL SERVICING	
	53	33017265	1	BELLHOUSING CPL F KUBOTA ENGINE DF972	
	54	33017293	1	SUPPORT PLASTIC AIR FILTER	
	55	33017441	1	BRACKET MET. F BATTERY GUIDE	
	57	33017913	1	SUPPORT MOTOR	
	58	33017914	1	TUBE EXHAUST PIPE	
	59	33017915	1	HOSE UPPER RADIATOR L.440MM SIP	
	61	33020516	1	TUBE RUBBER LPG ENGINE AIR INTAKE	
	62	33017918	1	PLATE	
	63	33017919	1	SUPPORT	

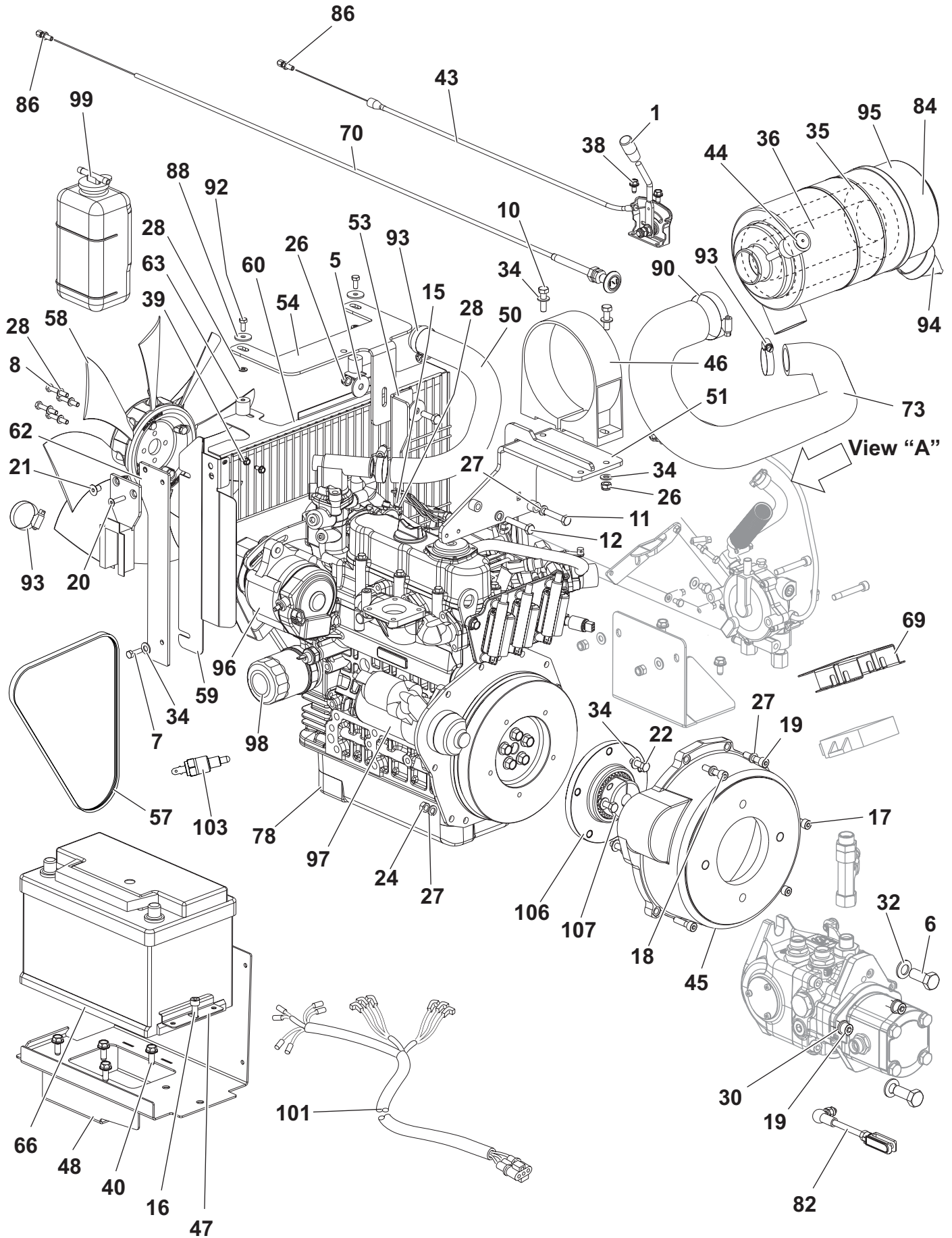
ASSY LPG ENGINE



**ASSY LPG ENGINE**

KIT	ITEM	REF. NO.	QTY	DESCRIPTION	NOTE
	64	33018002	1	BRACKET ENGINE LATERAL	
	65	33018003	1	BRACKET RADIATOR LATERAL	
	66	33018004	1	HOSE OIL DRAIN D.10X17 L.650MM SIP	
	67#	33021152	1	HOSE FUEL ECE67 CL.2 D.12X19 L.290MM SIP	
	68#	33023464	1	HOSE FUEL D.4.8X10.3 L.650MM KIT	
	69	33020453	1	TUBE RUBBER LOWER F RADIATOR	
	70	33021334	1	REGULATOR LPG KIT	
	71	33020345	1	CONNECTION PEDAL PETROL-LPG KIT	UNTIL S/N 3810113400055
	71	33022168	1	CONNECTION PEDAL LPG KIT	STARTING FROM S/N 3810113400056
	72	33018468	1	WORKING LEVER DIESEL PUMP	UNTIL S/N 3810113400055
	73	33018628	1	CRANKCASE MUFFLER PROTECTION	
	74	33018697	1	FAN MULTIWING D.370 8 BLADE	
	75	33018813	1	PLATE RADIATOR RIGHT	
	76	33018814	1	GRILL SAFETY	
	77#	33023619	1	CLAMP HOSE D.50 SIP	
K2	78#	33023297	4	VIBRAT. DAMPER BELL SHAPED M12 D64 SIP	
	79	33019468	1	BRACKET F TANK WATER	
K3	80#	33019121	1	VIBRATION DAMPING RADIATOR KIT	
K4	82		2	SCREW THREAD ROLLING	
	83#	1467085000	1	BATTERY STARTER 12V 77AH-C20 SIP	
	84	33019894	1	HOSE OIL DRAIN L.540MM SIP	
	85	33020208	1	BRACKET RPM SETTING	
	86	33020209	1	PLATE PROTECTION	
	87#	33023719	1	CABLE CHOKE SS KIT	
	88	33020330	1	CONDUIT CORRUGATED D.21.6 L.240MM SIP	
	89	145 0231 000	1	FILTER AIR	
	90#	33023593	3	CLAMP HOSE 8-16/9 DIN3017 2 PCS SET	
	91	146 0771 000	3	CLAMP	
K3-4	92		1	SCREW M6X10 UNI5739	
K4	93		2	SCREW M6X14 UNI5739	
	94	33020017	1	STARTER	
	95	33018851	1	FILTER OIL ENGINE	
	96	33019456	1	TANK WATER OVERFLOW W/MOUNT	
	97	33020446	1	FILTER MAIN	
	98	33017438	1	FILTER SAFETY	
	100	33020445	1	BOTTOM FILTER	
	101	33014386	1	EVACUATION VALVE	
	103#	33020347	1	HARNESS ENGINE LPG KIT	
	104	33022568	1	SENSOR FLYWHEEL	
	110	33021335	1	THERMOSTAT TEMPERATURE WATER	
	111	33023137	1	FLANGE BELLHOUSING KUBOTA DF972 SIP	
	112	33023138	1	HUB BELL HOUSING ENGINE SIP	
	[113]	33023358	1	GASKET MUFFLER VERS. P/LPG	
	[K1]	33019119	1	ACCELERATOR KIT	ITEM 2-45-51
	[K2]	33019120	1	VIBRATION DAMPING ENGINE KIT	ITEM 18-28-31-38-41-78
	[K3]	33020419	1	VIBRATION DAMPING RADIATOR KIT	ITEM 6-8-14-35-36-80-93
	[K4]	33020349	1	HARDWARE ENGINE LPG KIT	ITEM 3-4-5-6-7-8-9-10-11-12-13-14-15-16-17-18-19-20-21-22-23-24-25-26-27-28-29-30-31-32-33-34-35-36-37-38-39-40-41-44-46-47-82-92-93

ASSY ENGINE 3 CYL LPG - TIER 3

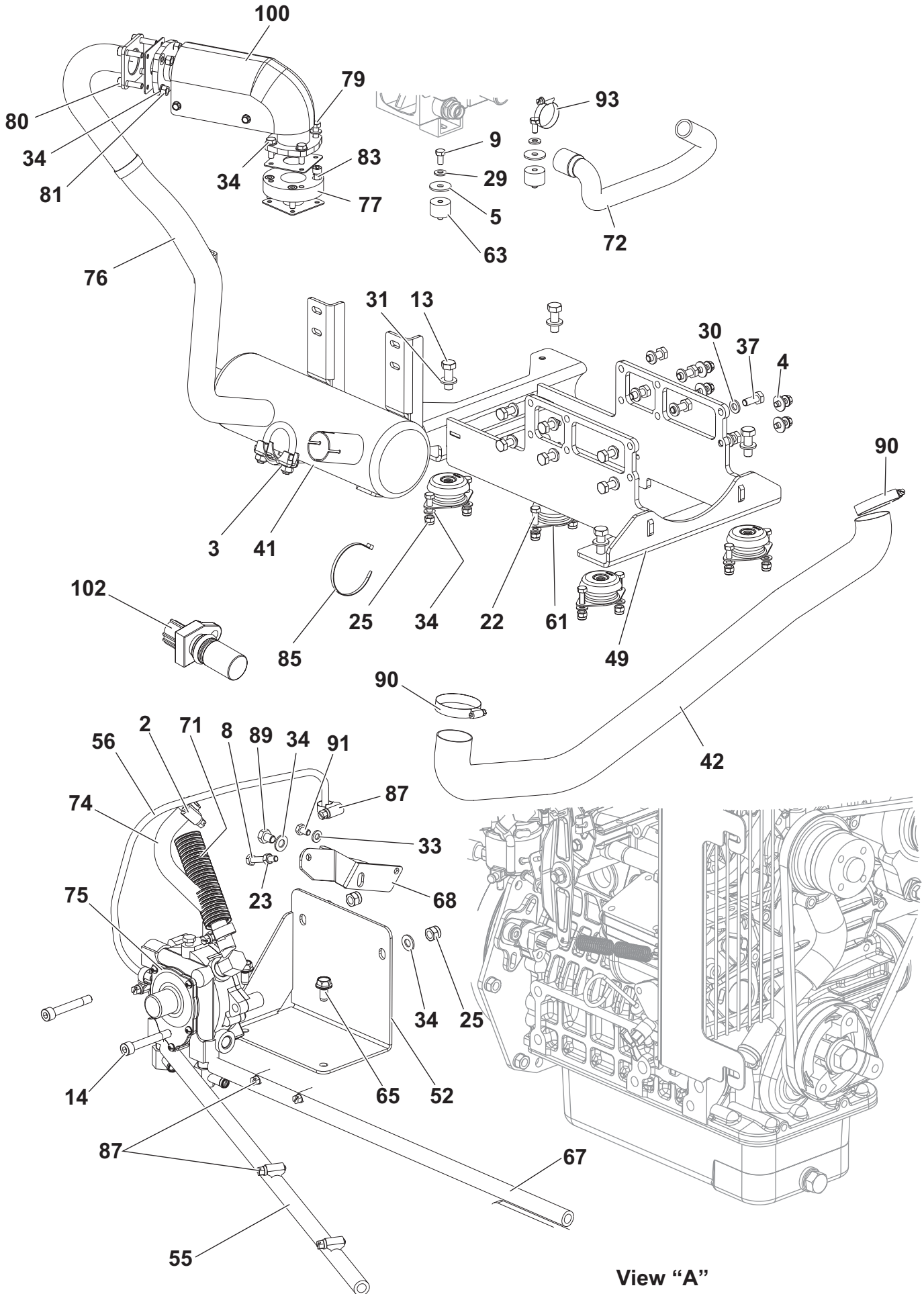




**ASSY ENGINE 3 CYL LPG - TIER 3**

KIT	ITEM	REF. NO.	QTY	DESCRIPTION	NOTE
	1	L08812349	1	KNOB	
	2	33003494	2	CLAMP 12-22	
	3	33003557	1	COLLAR	
K4	4		4	WASHER 8X24 UNI6593	
K3-4	5		4	WASHER, FLAT XL 9x32	
K4	6		2	SCREW, HEX THD TO HD M14x35	
K4	7		1	SCREW, HEX THD TO HD M6x20	
K4	8		5	SCREW, HEX THD TO HD M6x35	
K3-4	9		2	SCREW, HEX THD TO HD M8x16	
K4	10		2	SCREW, HEX THD TO HD M8x30	
K4	11		1	SCREW, HEX THD TO HD M8x40	
K4	12		1	SCREW, HEX THD TO HD M8x45	
K2-4	13		4	SCREW, HEX THD TO HD M12x35	
K4	14		2	SCREW M5X55 UNI5739 SS	
K4	15		2	SCREW M6X16 UNI5739	
K4	16		1	SCREW M8X20 UNI5739	
K4	17		3	SCREW M8X30 UNI5739	
K4	18		2	SCREW M8X35 UNI5739	
K4	19		2	SCREW M10X25 UNI5931	
K4	20		1	SCREW, FLAT SOCKET HEAD	
K4	21		1	SCREW, FLAT SOCKET HEAD	
K2-4	22		14	SCREW, HEX THD TO HD M8x25	
K4	23		1	NUT, HEX M6	
K4	24		3	NUT, HEX M8	
K2-4	25		10	NUT, HEX NYL LOC HVY M8	
K4	26		3	NUT, HEX NYL LOC THIN M8	
K4	27		7	WASHER, SPLIT LOCK d.8	
K3-4	28		8	WASHER, SPRING (FIAT) M6	
K3-4	29		2	WASHER, SPRING (FIAT) M8	
K4	30		14	WASHER, SPRING (FIAT) M10	
K2-4	31		4	WASHER, SPRING (FIAT) M12	
K4	32		2	WASHER, SPRING (FIAT) M14	
K4	33		1	WASHER, FLAT 6.4x12,5	
K2-4	34		29	WASHER, FLAT 8.4x16x1.6	
	35	33020446	1	FILTER MAIN	
	36	33017438	1	FILTER SAFETY	
K4	37		12	SCREW, HEX THD TO HD M10-1.25x25 GRD	
K4	38		2	THREAD ROLLING SCREW M6X12	
K4	39		2	THREAD ROLLING SCREW M5X12	
K4	40		8	THREAD ROLLING SCREW M8X20	
	41	33017231	1	MUFFLER	
	42	33023145	1	HOSE AIR INTAKE SIP	
	43	33023150	1	LEVER THROTTLE US VERSION KIT	
	44	33017251	1	INDICATOR RESTRICTION SIGNAL SERVICING	
	45	33017265	1	BELLOUSING CPL F KUBOTA ENGINE DF972	
	46	33017293	1	SUPPORT PLASTIC AIR FILTER	
	47	33017441	1	BRACKET MET. F BATTERY GUIDE	
	49	33017913	1	SUPPORT MOTOR	
	50	33017915	1	HOSE UPPER RADIATOR L.440MM SIP	
	51	33017918	1	PLATE	
	52	33017919	1	SUPPORT	
	53	33018002	1	BRACKET ENGINE LATERAL	
	54	33018003	1	BRACKET RADIATOR LATERAL	
	55	33018004	1	HOSE OIL DRAIN D.10X17 L.650MM SIP	
	56#	33023464	1	HOSE FUEL D.4.8X10.3 L.650MM KIT	
	57	33020018	1	BELT F ALTERNATOR MOTOR	
	58	33018697	1	FAN MULTIWING D.370 8 BLADE	
	59	33018813	1	PLATE, RADIATOR RIGHT	
	60	33018814	1	GRILL SAFETY	
K2	61#	33023297	4	VIBRAT. DAMPER BELL SHAPED M12 D64 SIP	
	62	33019468	1	BRACKET F TANK WATER	

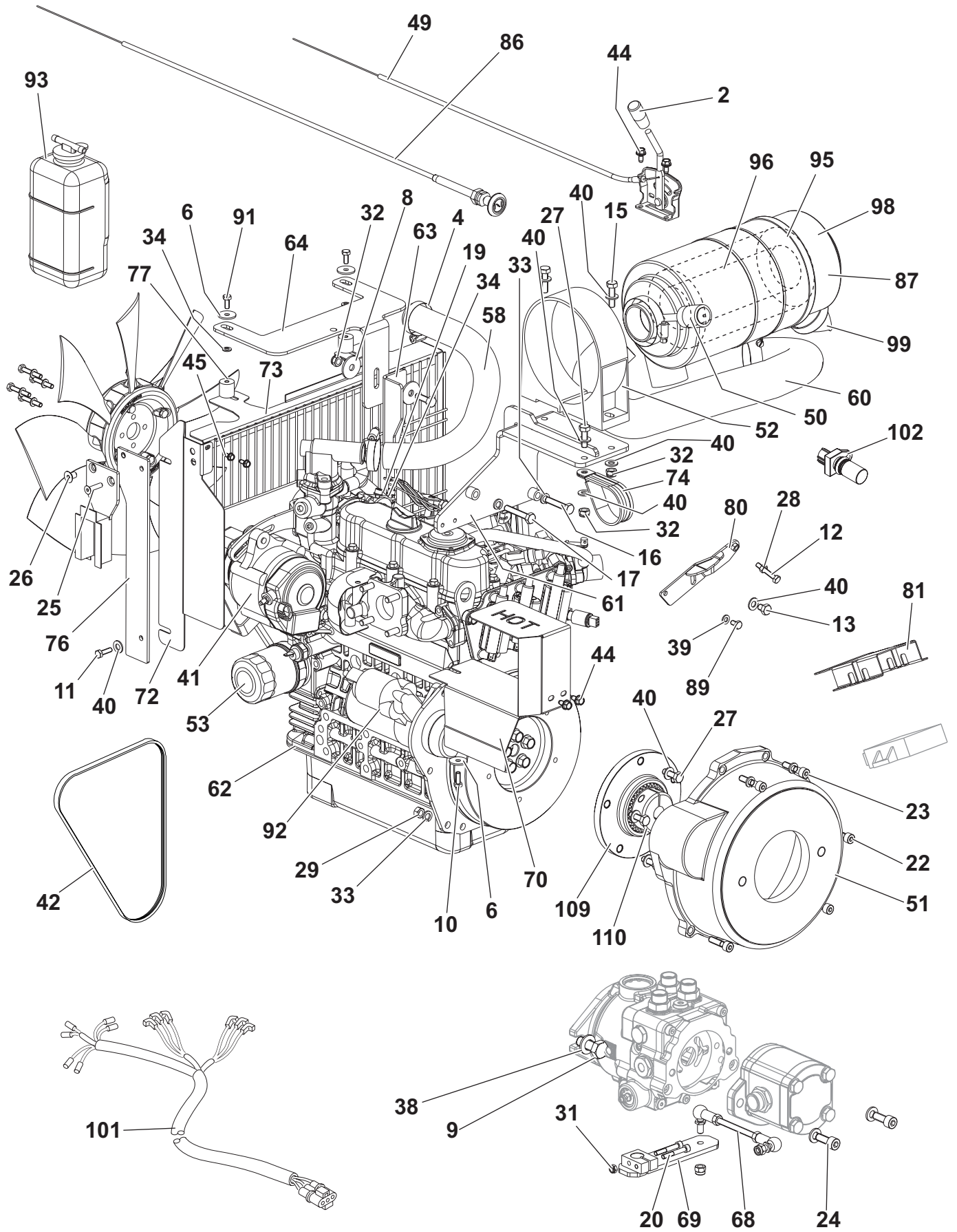
ASSY ENGINE 3 CYL LPG - TIER 3



**ASSY ENGINE 3 CYL LPG - TIER 3**

KIT	ITEM	REF. NO.	QTY	DESCRIPTION	NOTE
K3	63#	33019121	1	VIBRATION DAMPING RADIATOR KIT	
K4	65		2	SCREW THREAD ROLLING	
	66#	1467085000	1	BATTERY STARTER 12V 77AH-C20 SIP	
	67	33019894	1	HOSE OIL DRAIN L.540MM SIP	
	68	33020208	1	BRACKET RPM SETTING	
	69	33020209	1	PLATE PROTECTION	
	70	33023149	1	CABLE STARTER US VERSION SIP	
	71	33020330	1	CONDUIT CORRUGATED D.21.6 L.240MM SIP	
	72	33020453	1	TUBE RUBBER LOWER F RADIATOR	
	73	33020516	1	TUBE RUBBER LPG ENGINE AIR INTAKE	
	74#	33021152	1	HOSE FUEL ECE67 CL.2 D.12X19 L.290MM SIP	
	75	33021334	1	REGULATOR LPG KIT	
	76	33021352	1	PIPE EXHAUST TIER 3 VERSION	
	77	33021353	1	SPACER BRN F CATALYTIC CONVERTER	
	78	33022071	1	ENGINE PETROL-LPG WG 972 TIER3 972 CC.	
K4	79		4	SCREW, HEX THD TO HD M8x25 UNI 5739 - 10.9	
K4	80		4	SCREW, SOC HD M8x30 UNI 5931 - 10.9	
K4	81		4	NUT, HEX M8 - 10.9 UNI 5588	
	82	33022168	1	CONNECTION PEDAL LPG KIT	
	83		4	SCREW M8X25 UNI5739 CL. 10.9	
	84	145 0231 000	1	FILTER AIR	
	85		20	TIE, CABLE 4,8X200	
	86	145 1179 000	2	ADJUSTER, TROTTLE CABLE	
K4	87		6	CLAMP, HOSE 8/9-16	
K3-4	88		2	WASHER, FLAT XL	
K4	89		1	SCREW, HEX THD TO HD M8x10	
K4	90		3	CLAMP, HOSE SX14/47-67	
K4	91		1	SCREW, HEX THD TO HD M6x10	
K3-4	92		2	SCREW, HEX THD TO HD M6x14	
K4	93		5	CLAMP, HOSE d.25-40	
	94	33014386	1	EVACUATION VALVE	
	95	33020445	1	BOTTOM FILTER	
	96	33019147	1	ALTERNATOR 12V 60A	
	97	33020017	1	STARTER	
	98	33018851	1	FILTER OIL ENGINE	
	99	33019456	1	TANK WATER OVERFLOW W/MOUNT	
	100	33021964	1	CONVERTER CATALYST	
	101#	33020347	1	HARNESS ENGINE LPG KIT	
	102	33022568	1	SENSOR FLYWHEEL	
	103	33021335	1	THERMOSTAT TEMPERATURE WATER	
	106	33023137	1	FLANGE BELLHOUSING KUBOTA DF972 SIP	
	107	33023138	1	HUB BELL HOUSING ENGINE SIP	
	[K1]	33019119	1	ACCELERATOR KIT	ITEM 1-38-43
	[K2]#	33019120	1	VIBRATION DAMPING ENGINE KIT	ITEM 13-22-25-31-34-61
	[K3]#	33020419	1	VIBRATION DAMPING RADIATOR KIT	ITEM 5-9-28-29-63-88-92
	[K4]	33022336	1	ENGINE HARDWARE KIT	ITEM 4-5-6-7-8-9-10-11-12-13-14-15-16-17-18-19-20-21-22-23-24-25-26-27-28-29-30-31-32-33-34-37-38-39-40-65-79-80-81-83-85-87-88-89-90-91-92-93

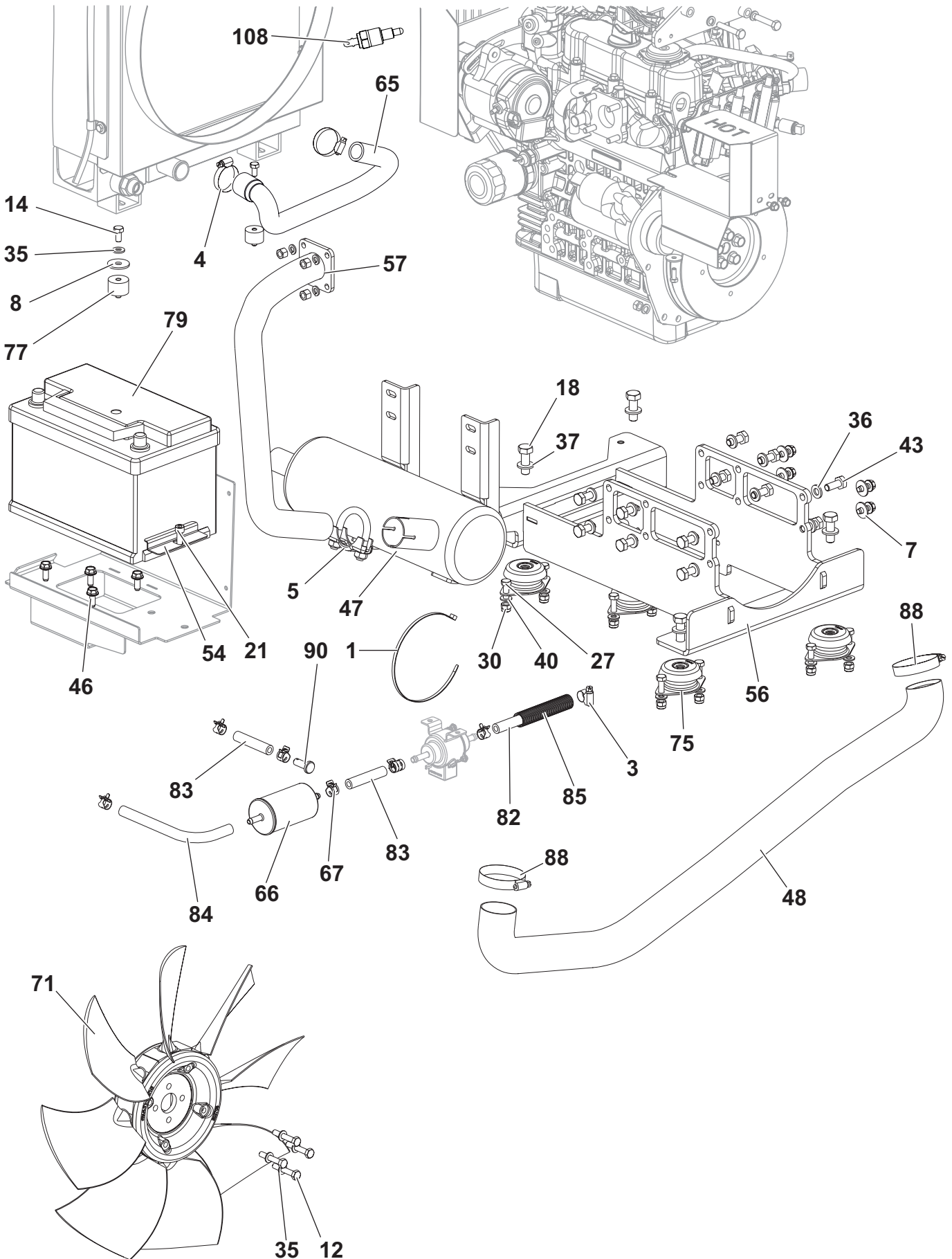
ASSY PETROL ENGINE (FOR DISCONTINUED VERSION)



**ASSY PETROL ENGINE (FOR DISCONTINUED VERSION)**

KIT	ITEM	REF. NO.	QTY	DESCRIPTION	NOTE
	1#	1466344000	2	TIE CABLE 4.8x200 BLACK 10 PCS SET	
K1	2	L08812349	1	KNOB	
K4	3#	33023594	3	CLAMP HOSE 8-12/9 DIN3017 2 PCS SET	
	4	33003548	5	CLAMP.D.30-45	
	5	33003557	1	COLLAR	
K3-5	6		3	WASHER 6X24 UNI6593	
K5	7		4	WASHER 8X24 UNI6593	
K3-5	8		4	WASHER 8X32 UNI6593	
K5	9		2	SCREW M14X35 UNI5739	
K5	10		1	SCREW M6X16 UNI5739	
K5	11		1	SCREW M6X20 UNI5739	
K5	12		5	SCREW M6X35 UNI5739	
K5	13		1	SCREW M8X10 UNI5739	
K3-5	14		2	SCREW M8X16 UNI5739	
K5	15		2	SCREW M8X30 UNI5739	
K5	16		1	SCREW M8X40 UNI5739	
K5	17		1	SCREW M8X45 UNI5739	
K2-5	18		4	SCREW M12X35 UNI5739	
K5	19		2	SCREW M8X16 UNI5739	
K5	20		2	SCREW M8X30 UNI5739	
K5	21		1	SCREW M8X40 UNI5739	
K5	22		3	SCREW M8X45 UNI5739	
K5	23		2	SCREW M12X35 UNI5739	
K5	24		2	SCREW M10X25 UNI5931	
K5	25		1	SCREW M6X25 UNI5933	
K5	26		1	SCREW M8X12 UNI5933	
K2-5	27		15	SCREW M8X25 UNI5739	
K5	28		1	NUT HEX M6 UNI5588	
K5	29		3	NUT HEX M8 UNI5588	
K2-5	30		8	NUT SELF L. M8 UNI7473	
K5	31		1	NUT SELF L. M6 UNI7474	
K5	32		4	NUT SELF L. M8 UNI7474	
K5	33		7	WASHER M8 UNI1751B	
K3-5	34		8	WASHER M6 UNI8836	
K3-5	35		2	WASHER M8 UNI8836	
K5	36		14	WASHER M10 UNI8836	
K2-5	37		4	WASHER M12 UNI8836	
K5	38		2	WASHER M14 UNI8836	
K5	39		1	WASHER M6 UNI6592	
K2-5	40		21	WASHER M8 UNI6592	
	41	33019147	1	ALTERNATOR 12V 60A	
	42	33020018	1	BELT F ALTERNATOR DIESEL MOTOR	
K5	43		12	SCREW M10X1.25X25 UNI5740	
K1-5	44		4	SCREW THREAD ROLLING	
K5	45		2	SCREW THREAD ROLLING	
K5	46		8	SCREW THREAD ROLLING	
	47	33017231	1	MUFFLER	
	48	33023145	1	HOSE AIR INTAKE SIP	
K1	49	33017250	1	LEVER W/CABLE F THROTTLE	
	50	33017251	1	INDICATOR RESTRICTION SIGNAL SERVICING	
	51	33017265	1	BELLHOUSING CPL F KUBOTA ENGINE DF972	
	52	33017293	1	SUPPORT PLASTIC AIR FILTER	
	53	33018851	1	FILTER OIL ENGINE	
	54	33017441	1	BRACKET MET. F BATTERY GUIDE	
	56	33017913	1	SUPPORT MOTOR	
	57	33017914	1	TUBE EXHAUST PIPE	
	58	33017915	1	HOSE UPPER RADIATOR L.440MM SIP	
	60	33020516	1	TUBE RUBBER LPG ENGINE AIR INTAKE	
	61	33017918	1	PLATE	
	62	33017064	1	ENGINE PETROL-LPG 972 CC.	
	63	33018002	1	BRACKET ENGINE LATERAL	

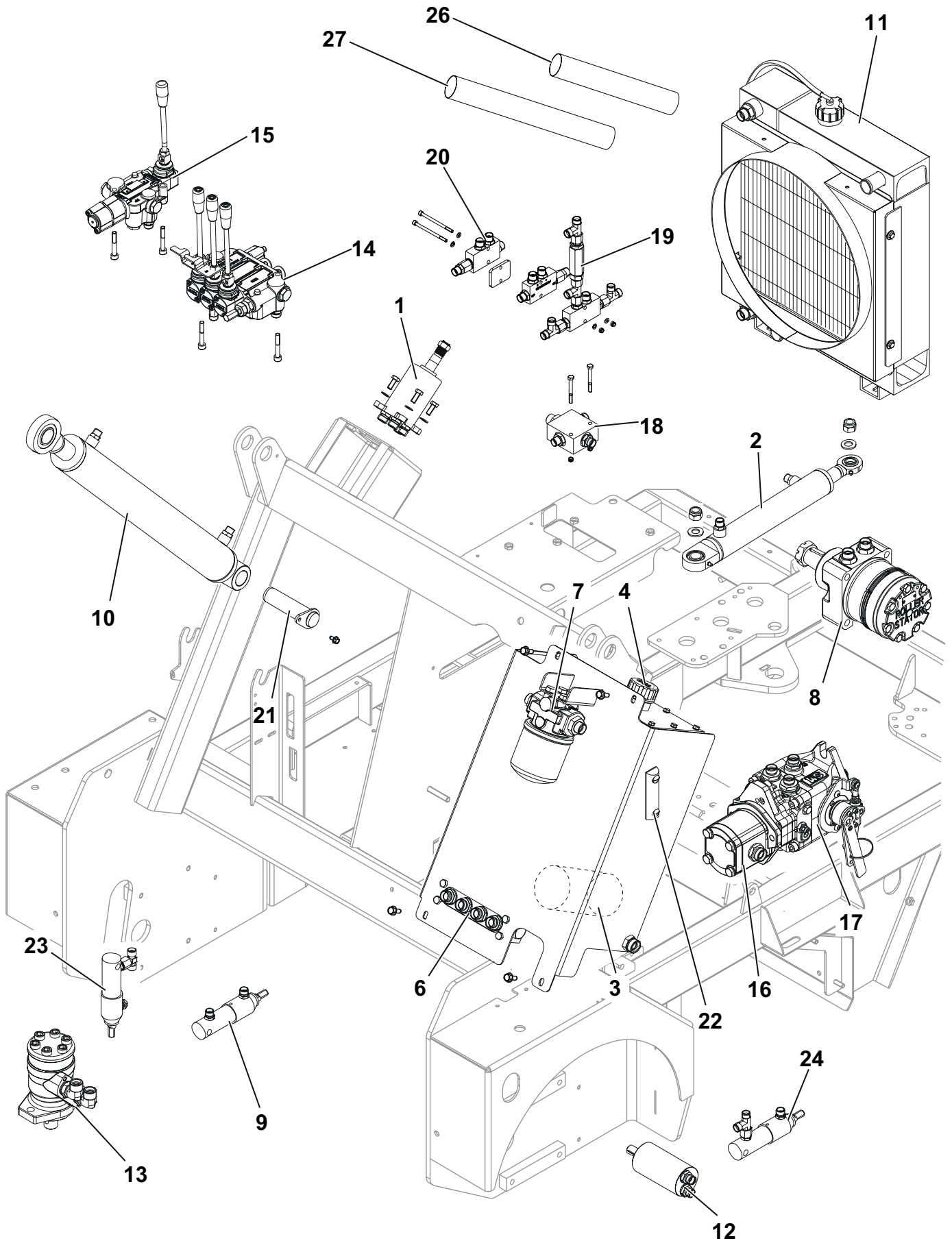
ASSY PETROL ENGINE (FOR DISCONTINUED VERSION)



**ASSY PETROL ENGINE (FOR DISCONTINUED VERSION)**

KIT	ITEM	REF. NO.	QTY	DESCRIPTION	NOTE
	64	33018003	1	BRACKET RADIATOR LATERAL	
	65	33020453	1	TUBE RUBBER LOWER F RADIATOR	
	66	33018372	1	FILTER FUEL	
K4	67	33023016	7	CLAMP 15/12	
	68	33020345	1	CONNECTION PEDAL LPG KIT	UNTIL S/N 3810113400055
	68	33022168	1	CONNECTION PEDAL PETROL-LPG KIT	STARTING FROM S/N 3810113400056
	69	33018468	1	WORKING LEVER DIESEL PUMP	UNTIL S/N 3810113400055
	70	33018628	1	CRANKCASE MUFFLER PROTECTION	
	71	33018697	1	FAN MULTIWING D.370 8 BLADE	
	72	33018813	1	PLATE RADIATOR RIGHT	
	73	33018814	1	GRILL SAFETY	
	74#	33023619	1	CLAMP HOSE D.50 SIP	
K2	75#	33023297	4	VIBRAT. DAMPER BELL SHAPED M12 D64 SIP	
	76	33019468	1	BRACKET F TANK WATER	
K3	77#	33019121	1	VIBRATION DAMPING RADIATOR KIT	
	79#	1467085000	1	BATTERY STARTER 12V 77AH-C20 SIP	
	80	33020208	1	BRACKET RPM SETTING	
	81	33020209	1	PLATE PROTECTION	
K4	82#	33023430	1	HOSE FUEL D.7.9X14.3 L.250MM SIP	
K4	83#	33023431	2	HOSE FUEL D.7.9X14.3 L.70MM SIP	
K4	84#	33023432	1	HOSE FUEL D.7.9X14.3 L.1260MM SIP	
K4	85	33020228	1	CONDUIT CORRUGATED D.16.2 L.1200MM SIP	
	86	33023158	1	CABLE CHOKE KIT	
	87	145 0231 000	1	FILTER AIR	
	88	146 0771 000	3	CLAMP	
K5	89		1	SCREW M6X10 UNI5739	
K4	90		1	PIN 10X28 UNI1710	
K3-5	91		2	SCREW M6X14 UNI5739	
	92	33020017	1	STARTER	
	93	33019456	1	TANK WATER OVERFLOW W/MOUNT	
	95	33020446	1	FILTER MAIN	
	96	33017438	1	FILTER SAFETY	
	98	33020445	1	BOTTOM FILTER	
	99	33014386	1	EVACUATION VALVE	
	101	33019243	1	HARNESS MOTOR PETROL KIT	
	102	33022568	1	SENSOR FLYWHEEL	
	108	33021335	1	THERMOSTAT TEMPERATURE WATER	
	109#	33023137	1	FLANGE BELLHOUSING KUBOTA DF972 SIP	
	110#	33023138	1	HUB BELL HOUSING ENGINE SIP	
	[113]#	33023359	1	GASKETS AND HW F MUFFLER P/LPG KIT	
	[K1]	33019119	1	ACCELERATOR KIT	ITEM 2-44-49
	[K2]	33019120	1	VIBRATION DAMPING ENGINE KIT	ITEM 18-27-30-37-40-75
	[K3]	33020419	1	VIBRATION DAMPING RADIATOR KIT	ITEM 8-6-14-34-35-77-91
	[K4]	33023433	1	HOSES PETROL KIT	ITEM 3-67-82-83-84-85-90
	[K5]	33020349	1	HARDWARE ENGINE LPG KIT	ITEM 6-7-8-9-10-11-12-13-14-15-16-17-18-19-20-21-22-23-24-25-26-27-28-29-30-31-32-33-34-35-36-37-38-39-40-43-44-45-46-74-89-91

### HYDRAULIC PLANT ASSY

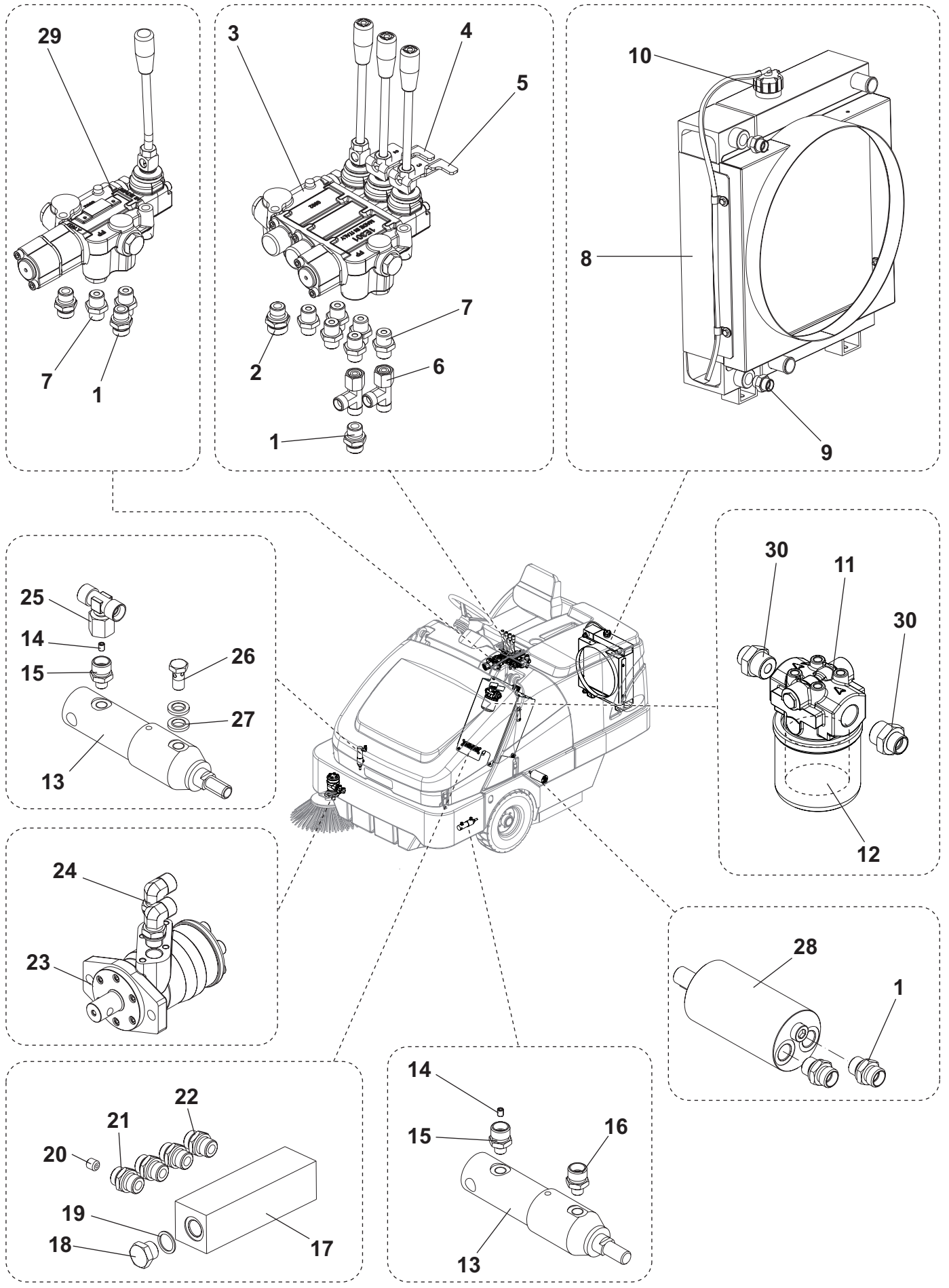




**HYDRAULIC PLANT ASSY**

KIT	ITEM	REF. NO.	QTY	DESCRIPTION	NOTE
	1	33022292	1	STEERING UNIT HYDROST.POWER 50CC SIP	
	*	33022033	1	GASKET STEERING UNIT KIT	
	2	33018808	1	CYLINDER POWER STEERING KIT	ITEM 2-23 PAGE 59
	3	33010199	1	FILTER HYDRAULIC OIL	
	4	33011530	1	CAP BREATHER W/SPLASH GUARD 1 1/4	
	6	33018809	1	TANK OIL KIT	ITEM 17-18-19-20-21-22 PAGE 57
	7	33018810	1	FILTER PRESSURE KIT	ITEM 11-30 PAGE 57
	8	33018793	1	MOTOR DRIVE KIT	ITEM 21-22 PAGE 59
	9	33018802	1	MICRO CYLINDER KIT	ITEM 13-14-15-16 PAGE 57
	10	33018811	1	CYLINDER LIFTING CONTAINER KIT	ITEM 1-2-3-4-29 PAGE 59
	10	33021068	1	ADAPTER F CYLINDER W/JOINT KIT	FOR REF. NO. 33018811 STARTING FROM S/N 103206080
	11	33018873	1	RADIATOR KIT	ITEM 8-9 PAGE 57
	12#	33023380	1	MOTOR HYDRAULIC F MAIN BROOM KIT	ITEM 1-28 PAGE 57 (33023397) INSTALLATION INSTRUCTIONS
	13	33018807	1	MOTOR SIDE BROOM KIT	ITEM 23-24 PAGE 57
	14	33018812	1	DISTRIBUTOR 3 ELEMENTS KIT	ITEM 2-3-4-5-6-7 PAGE 57
	15	33018815	1	DISTRIBUTOR 1 ELEMENT KIT	ITEM 1-7-29 PAGE 57
	16	33018874	1	PUMP GEAR KIT	ITEM 25-26-27 PAGE 59
	17#	33023338	1	PUMP PISTON 19CC KIT	ITEM 24-28 PAGE 59
	17#	33023339	1	PUMP AND BELLHOUSING DIESEL KIT	(33023027) INSTALLATION INSTRUCTIONS
	17#	33023340	1	PUMP AND BELLHOUSING PETROL-LPG KIT	STARTING FROM S/N 3810113400056 (33023027) INSTALLATION INSTRUCTIONS
	*	33023034	1	PINION F PUMP TRACTION P01 SIP	
	*	33022094	1	GASKET FOR HYDRAULIC PUMP KIT P01	
	18	33020858	1	VALVE PRIORITY KIT	ITEM 17-18-19-20 PAGE 59
	19	33018817	1	CHECK VALVE 1/4 DUAL PILOT KIT	ITEM 6-12-13-14-15-16 PAGE 59
	20	33018840	2	CHECK VALVE 1/4 SINGLE PILOT OPERAT. KIT	ITEM 2-10 PAGE 57
	21	33020853	1	PIN HYDRAULIC CYLINDER	
	22	33011529	1	INDICATOR COLUMN OIL LEVEL M10	
	23	33021767	1	SIDE BROOM RIGHT CYLINDER KIT	ITEM 13-14-15-25-26-27 PAGE 57
	24	33021765	1	MAIN BROOM CYLINDER KIT	ITEM 5-6-7-8-9 PAGE 59
	[25]	33020339	1	HARDWARE HYDRAULIC KIT	
	26#	33015542	1	SHEATH 90 D56 BLACK L.500MM	
	27#	33015544	1	SHEATH 90 D56 BLACK L.700MM	

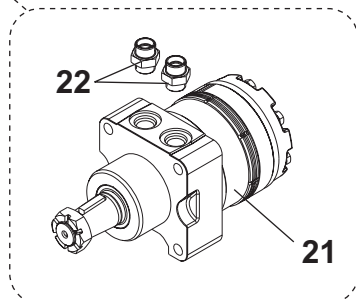
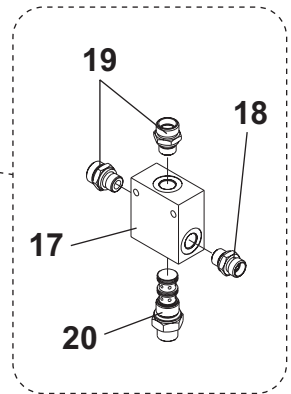
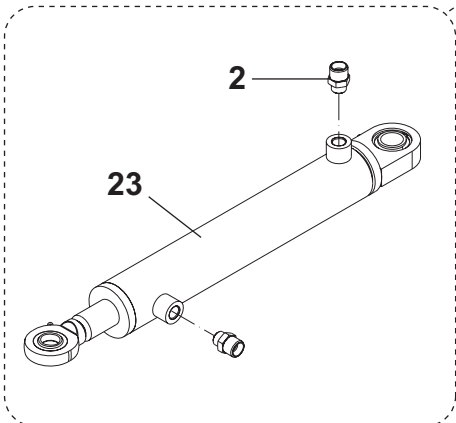
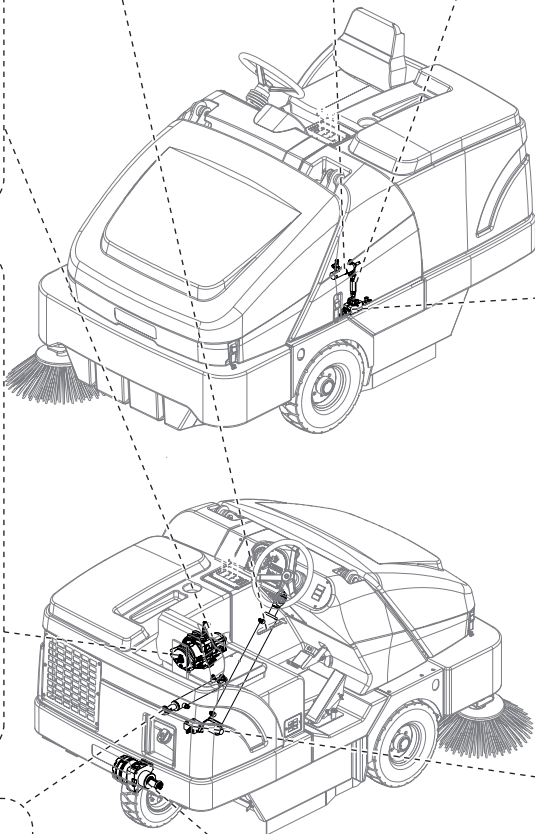
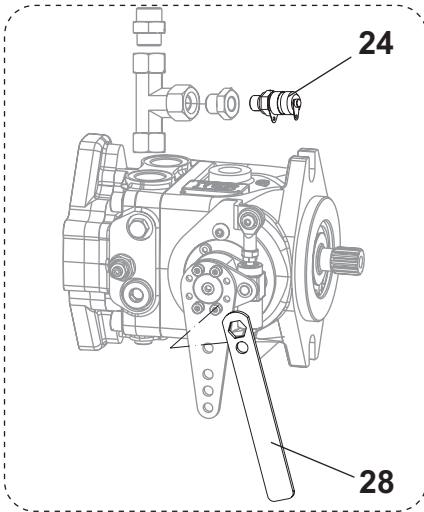
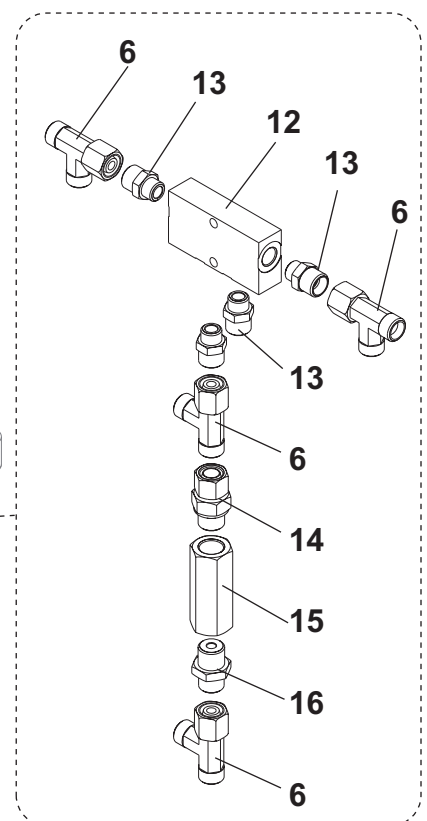
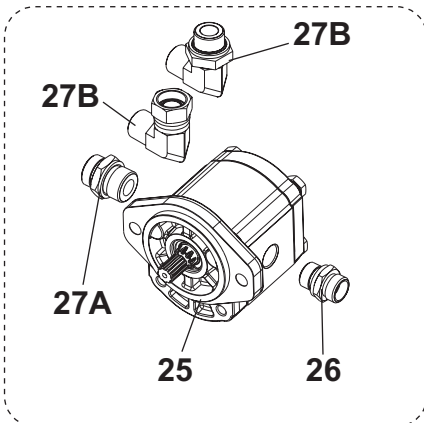
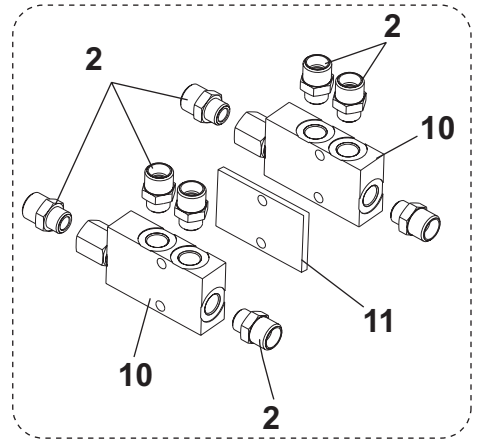
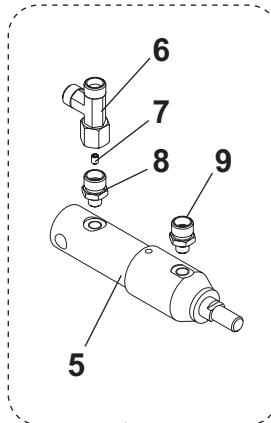
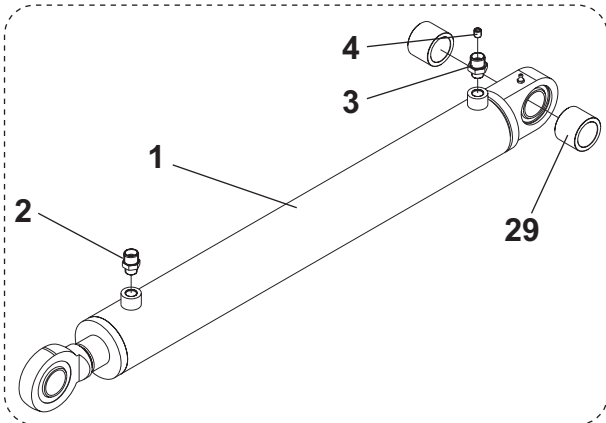
### HYDRAULIC PLANT ASSY



**HYDRAULIC PLANT ASSY**

KIT	ITEM	REF. NO.	QTY	DESCRIPTION	NOTE
	1	33015917	5	FITTING M/M 3/8 BSP-12L	
	2	33016018	1	FITTING M/M 3/8 BSP-15L	
	3	33017052	1	DISTRIBUTOR	
	4	33017752	1	BRACKET SECOND LEVER MANIFOLD	
	5	33017753	1	BRACKET THIRD LEVER MANIFOLD	
	6	145 5163 000	2	PIPE FITTING	
	7	146 0505 000	8	PIPE FITTING 3/8 D.10	
	8	33018873	1	RADIATOR KIT	
	9	146 0079 00	2	FITTING MALE 1/2 BSP - M15L	
	10	33011541	1	CAP RADIATOR I.C. MOTOR	
	11	33017431	1	FILTER OIL CPL	
	12	33017595	1	CARTRIDGE OIL FILTER	
	13	33021255	2	CYLINDER 25/16 50	
	*	33022009	2	GASKET MICRO CYLINDER 16/25/50 KIT	
	14	33018215	2	DOWEL CALIBRATED M5X6 D. 0.5	
	15	33018222	2	FITTING M/M 1/8-M16X1.5 REW.	
	16	33018375	1	FITTING M/M 1/8-M16X1.5	
	17	33017432	1	BLOCK HYD. HOSES	
	18	33011456	1	PLUG 1/2	
	19#	1466786000	1	GASKET COPPER 1/2 10 PCS SET	
	20	33018675	1	DOWEL M12 DIAM 4	
	21	33018676	1	FITTING M/M 1/2-M22X1.5	
	22	33015757	3	FITTING MALE 1/2 - M15L	
	23	33017003	1	MOTOR SIDE BROOM	
	*	33020754	1	GASKETS HYDRAULIC MOT.KIT	
	24	33015874	2	ELBOW 90 M1/2	
	25	146 0507 000	1	FITTING T M16X1.5 SWIVEL NUT	
	26#	1467015000	1	BANJO BOLT 1/8 L.22 SPEC. 2 PCS SET	
	27#	1467004000	1	SEAL BONDED 1/8 10 PCS SET	
	28#	33023380	1	MOTOR HYDRAULIC F MAIN BROOM KIT	(33023397) INSTALLATION INSTRUCTIONS
	*#	33020765	1	GASKET HYDRAULIC PUMP KIT	STARTING FROM S.N. 103206080
	*	33023043	1	GASKET HYDRAULIC PUMP KIT	STARTING FROM S.N. 091508810 FOR REF. NO. 33023044 (WHITE)
	29	33017676	1	DISTRIBUTOR	
	30#	33023712	2	FITTING M/M 3/4-M22X1.5 SIP	

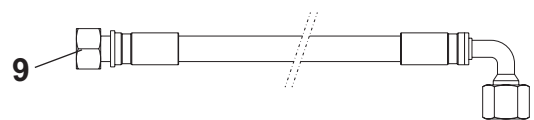
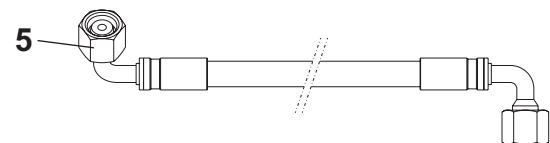
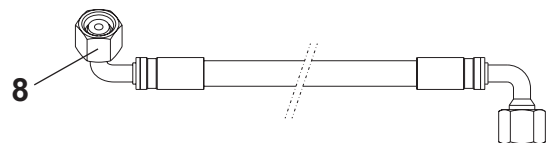
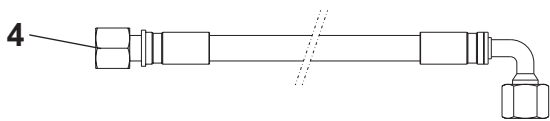
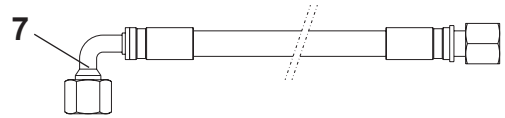
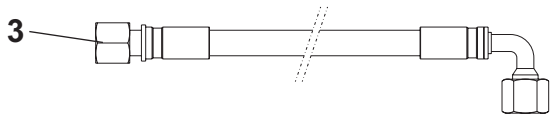
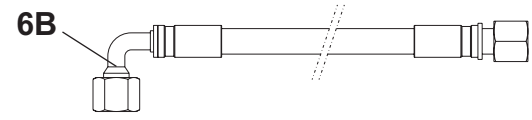
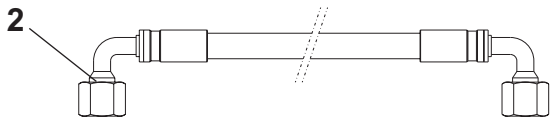
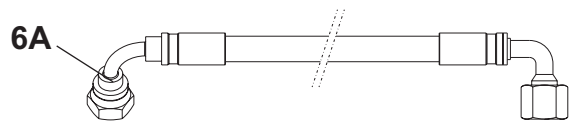
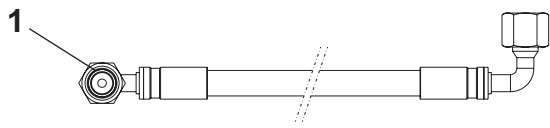
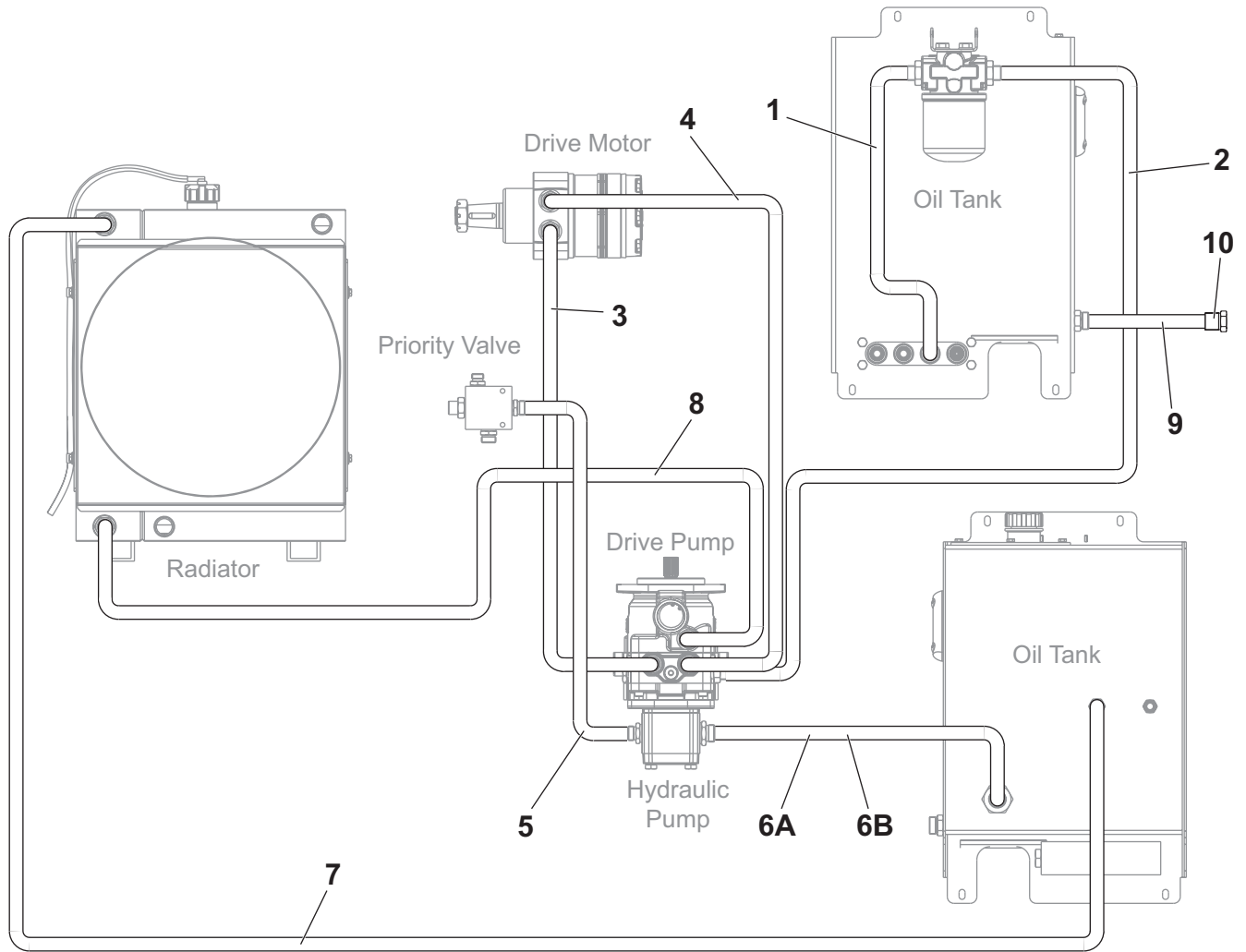
### HYDRAULIC PLANT ASSY



## HYDRAULIC PLANT ASSY

KIT	ITEM	REF. NO.	QTY	DESCRIPTION	NOTE
	1	33021257	1	CYLINDER HOPPER LIFT	SEE PAGE 55 REF. NO. 33021068 AND SPEC.
*		33011777	1	GASKET KIT	
2#		33023175	10	PIPE FITTING 1/4 D.10 SIP	
3		33018221	1	FITTING 1/4	
4		33019272	1	DOWEL CALIBRATED M8X8 D.1	
5		33021255	1	CYLINDER 25/16 50	
*		33022009	1	GASKET MICRO CYLINDER 16/25/50 KIT	
6	145 5163 000		5	PIPE FITTING	
7		33018215	1	DOWEL CALIBRATED M5X6 D. 0.5	
8		33018222	1	FITTING M/M 1/8-M16X1.5 REW.	
9		33018375	1	FITTING M/M 1/8-M16X1.5	
10#		33023300	2	CHECK VALVE 1/4 SINGLE PILOT OPERAT. SIP	
11		33019712	1	PLATE VALVES	
12		33010486	1	CHECK VALVE 1/4 DUAL PILOT OPERATED	
13#		33023175	4	PIPE FITTING 1/4 D.10 SIP	
14		33018220	1	FITTING M/F.GIR 3/8 - 10L	
15		33010481	1	VALVE 3/8 NONRETURN	
16	146 0505 000		1	PIPE FITTING 3/8 D.10	
17		33017165	1	BODY PRIORITY VALVE	
18		33015917	1	FITTING M/M 3/8 BSP-12L	
19		33016018	2	FITTING M/M 3/8 BSP-15L	
20		33017690	1	CARTRIDGE PRIORITY VALVE	
21		33017002	1	MOTOR DRIVE ENGINE MACHINE	
*		33020753	1	GASKETS HYDRAULIC MOT.KIT	
22	146 0079 00		2	FITTING MALE 1/2 BSP - M15L	
23		33021256	1	CYLINDER STEERING	
*		33011774	1	GASKET KIT CYL FLAP/SIDE	
24		33010508	1	FITTING QUICK 1/4	
25		33017001	1	PUMP DRIVE	
*		33020761	1	GASKET HYDRAULIC PUMP KIT	
*		33020762	1	GASKET HYDRAULIC PUMP KIT	
26		33015757	1	FITTING MALE 1/2 - M15L	
27A		33018323	1	FITTING M/M 3/4-18L	MODEL NO. 13300109 UNTIL S.N. 3810123600003
27B		33022395	1	FITTING 90 M3/4-M3/4 BSP ADJ.	MODEL NO. 13300109
27B		33022396	1	FITTING 90 M3/4-F3/4 BSP ADJ.	STARTING FROM S.N. 3810123600004
28		33022090	1	WRENCH 14	
29		33020812	2	SPACER D.30X40 H.30.5 PLAST.	

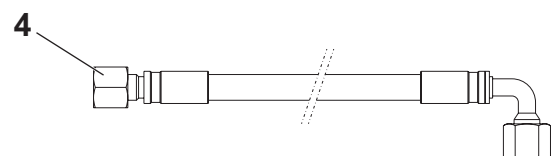
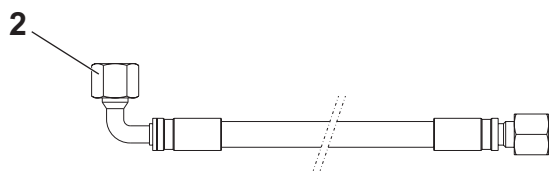
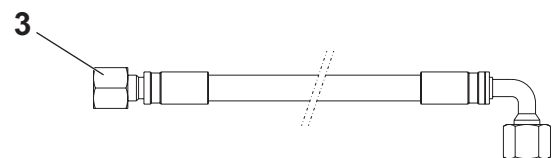
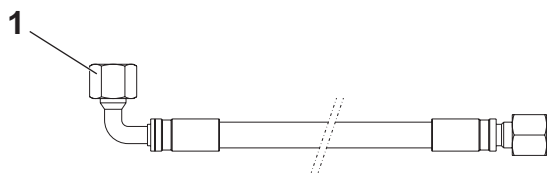
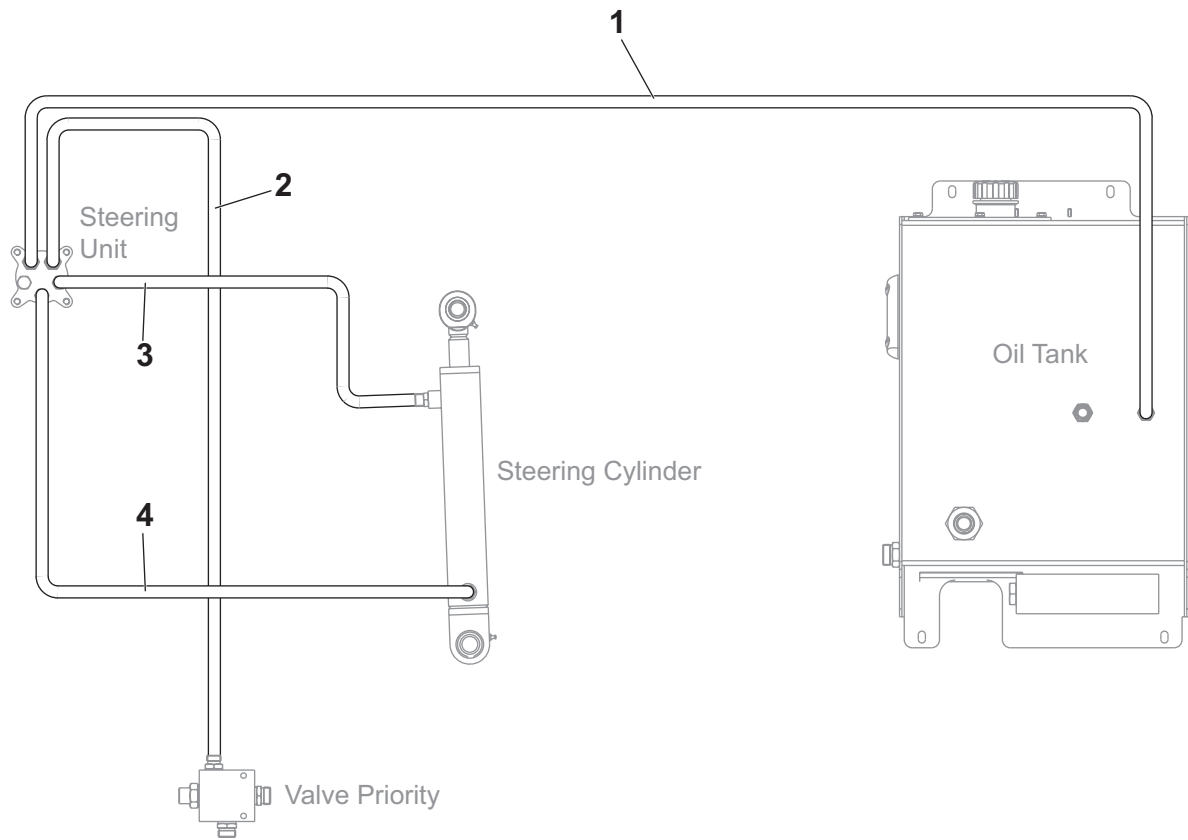
HYDRAULIC PLANT - DRIVE MOTOR SCHEME



**HYDRAULIC PLANT - DRIVE MOTOR SCHEME**

KIT	ITEM	REF. NO.	QTY	DESCRIPTION	NOTE
	1	33017649	1	HOSE HYDRAULIC 1/2 L= 450	
	2	33017636	1	HOSE HYDRAULIC 1/2 L=1040	
	3#	33023254	1	HOSE HYDR. 1/2 R16 L.1430 W/SHEATH SIP	
	4#	33023253	1	HOSE HYDR. 1/2 R16 L.1470 W/SHEATH SIP	SEE TSB-FC-2015-021
	5	33020134	1	HOSE HYDRAULIC 1/2 L 500	
	6A	33017651	1	HOSE HYDRAULIC 3/4 L= 900	MODEL NO. 13300109 UNTIL S.N. 3810123600003
	6B	33022399	1	HOSE HYDRAULIC R1AT 3/4 L 840	MODEL NO. 13300109 STARTING FROM S.N. 3810123600004
	7#	33023251	1	HOSE HYDR. 1/2 R16 L.1500 W/SHEATH SIP	
	8#	33023252	1	HOSE HYDR. 1/2 R16 L.1100 W/SHEATH SIP	
	9	33017620	1	HOSE HYDRAULIC 1/2 L 660	
	10	33011456	1	PLUG 1/2	

### HYDRAULIC PLANT - STEERING SCHEME

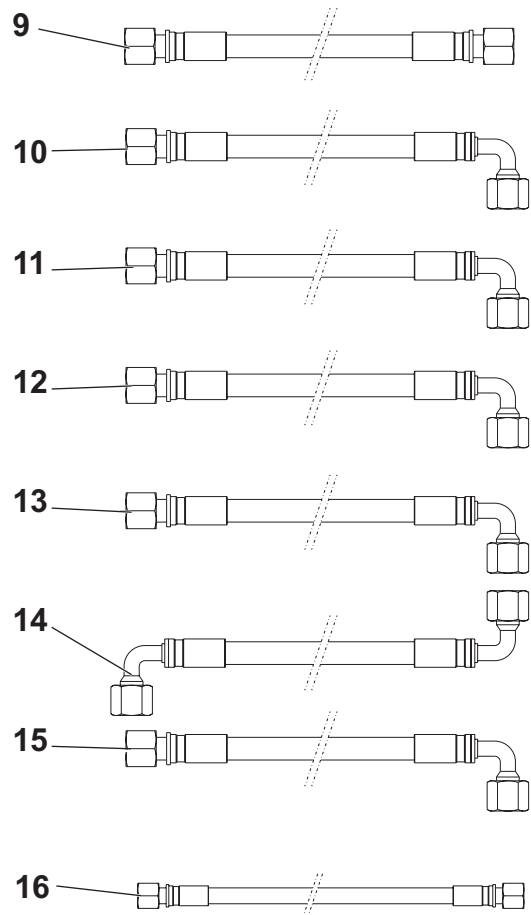
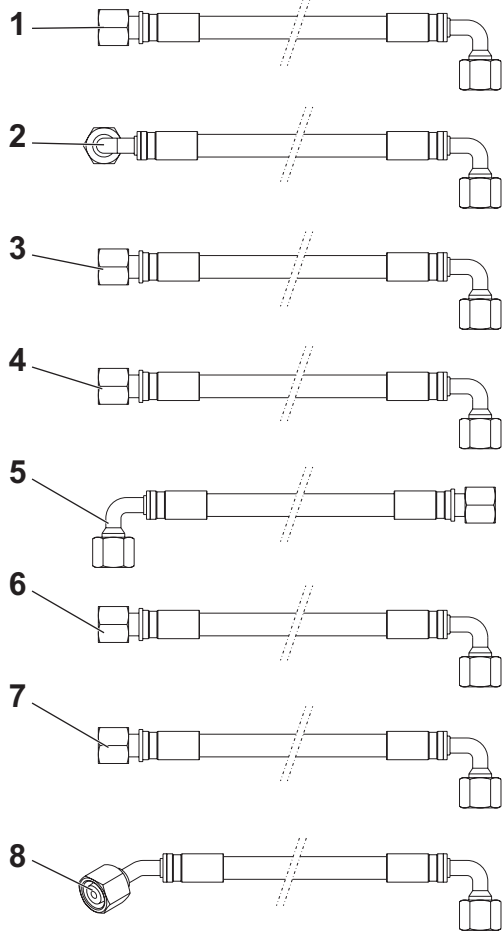
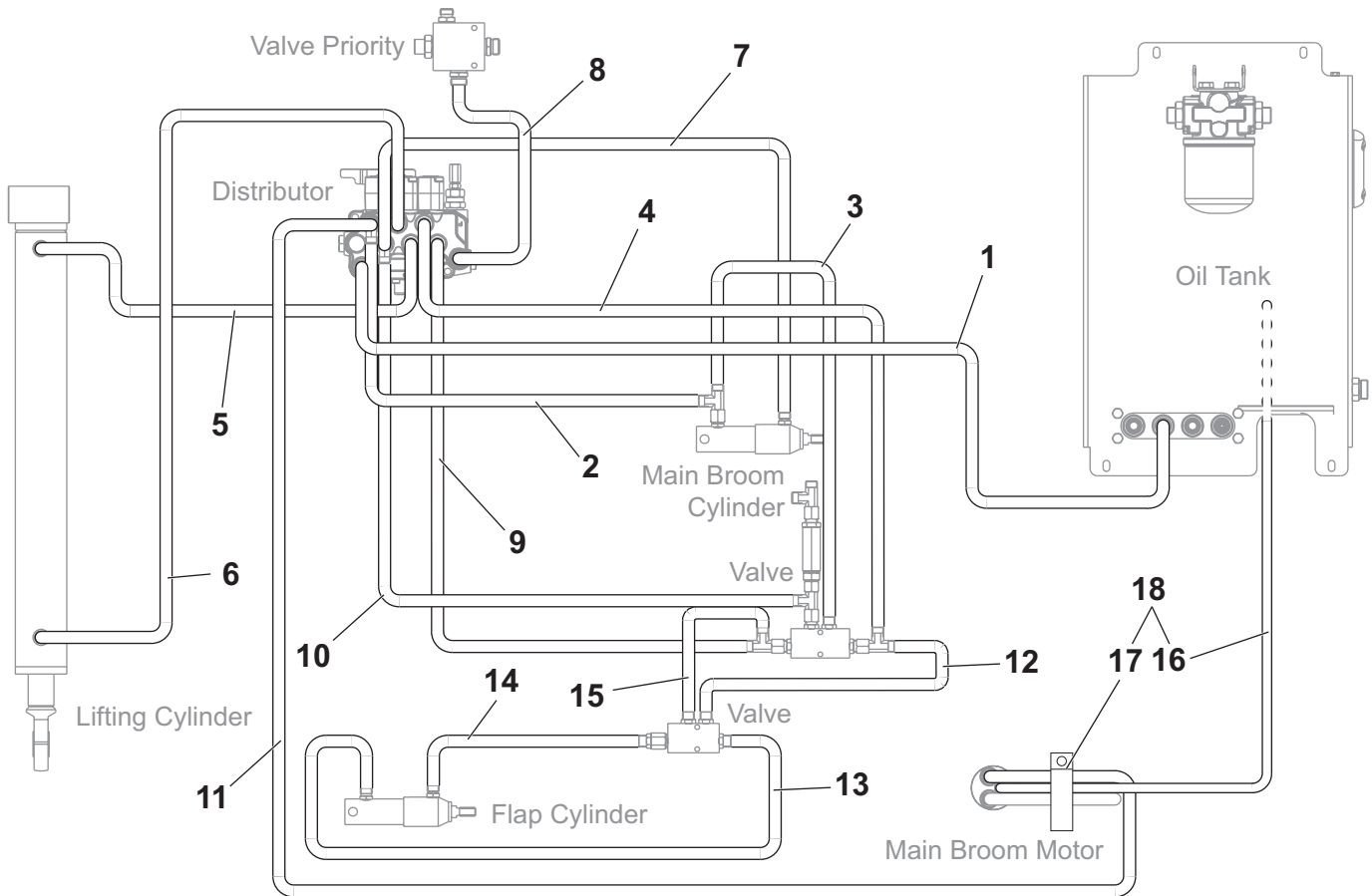




**HYDRAULIC PLANT - STEERING SCHEME**

KIT	ITEM	REF. NO.	QTY	DESCRIPTION	NOTE
	1	33020136	1	HOSE HYDRAULIC 3/8 L=1200	
	2	33020137	1	HOSE HYDRAULIC 3/8 L=1380	
	3	33017622	1	HOSE HYDRAULIC 1/4 L=1320	
	4	33017625	1	HOSE HYDRAULIC 1/4 L=1150	

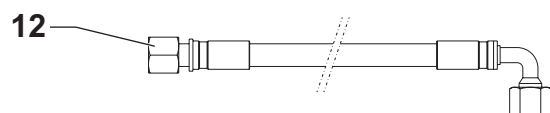
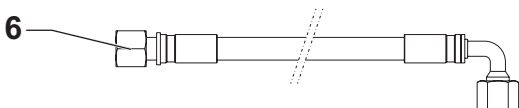
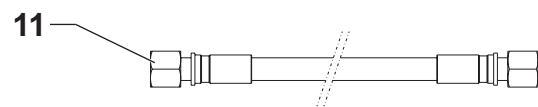
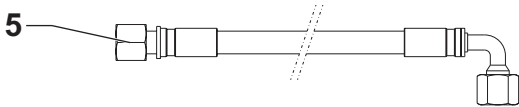
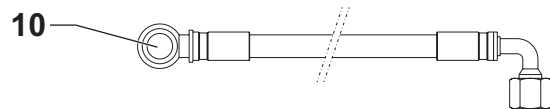
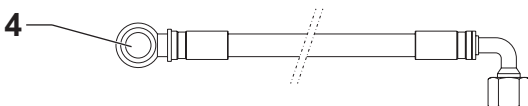
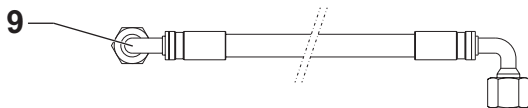
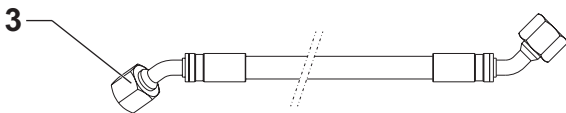
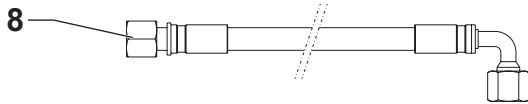
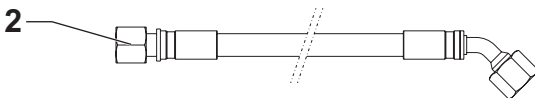
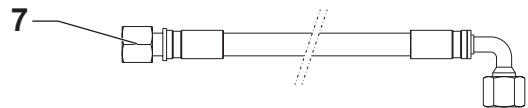
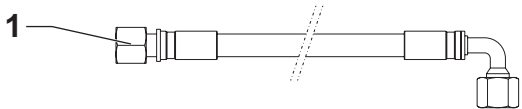
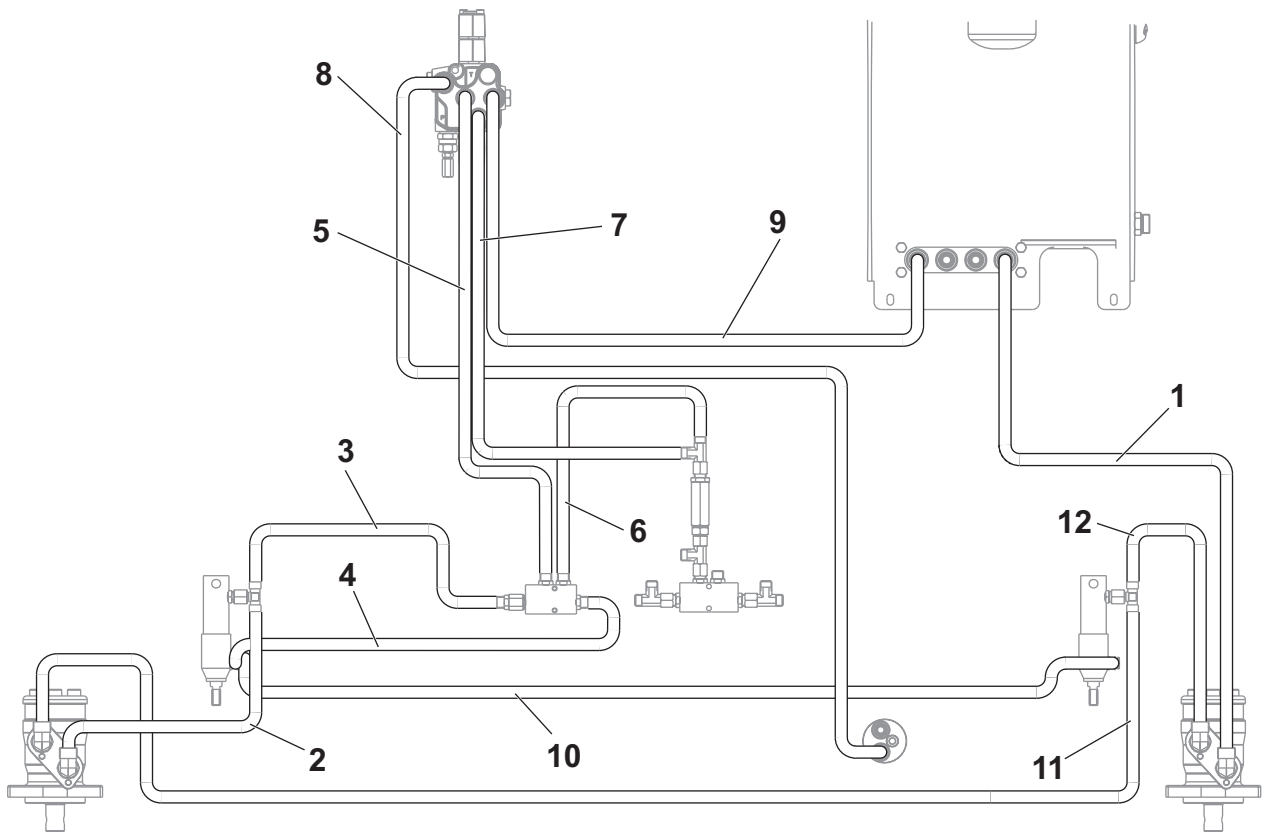
### HYDRAULIC PLANT - FLAP AND HOPPER SCHEME



**HYDRAULIC PLANT - FLAP AND HOPPER SCHEME**

KIT	ITEM	REF. NO.	QTY	DESCRIPTION	NOTE
	1	33017650	1	HOSE HYDRAULIC 1/2 L=1050	
	2	33017635	1	HOSE HYDRAULIC 1/4 L=1580	
	3	33017634	1	HOSE HYDRAULIC 1/4 L= 500	
	4	33017628	1	HOSE HYDRAULIC 1/4 L=1560	
	5	33017652	1	HOSE HYDRAULIC 1/4 L= 650	
	6	33017627	1	HOSE HYDRAULIC 1/4 L= 460	
	7	33017632	1	HOSE HYDRAULIC 1/4 L=1650	
	8	33020135	1	HOSE HYDRAULIC 1/2 L=950	
	9	33017653	1	HOSE HYDRAULIC 1/4 L=1340	
	10	33017633	1	HOSE HYDRAULIC 1/4 L=1390	
	11	33017655	1	HOSE HYDRAULIC 3/8 L=1350	
	12	33019714	1	HOSE HYDRAULIC 1/4 L= 450	
	13	33017638	1	HOSE HYDRAULIC 1/4 L=3020	
	14	33017647	1	HOSE HYDRAULIC 1/4 L=2320	
	15	33019713	1	HOSE HYDRAULIC 1/4 L= 450	
	16#	33023475	1	DRAIN HOSE KIT	
	17#	33023476	1	PLATE F HOSES KIT	
	18#	33023474	1	DRAIN HOSE 1/4 F MAIN BROOM CPL KIT	(33023478) INSTALLATION INSTRUCTIONS SEE TSB-FC-2016-270

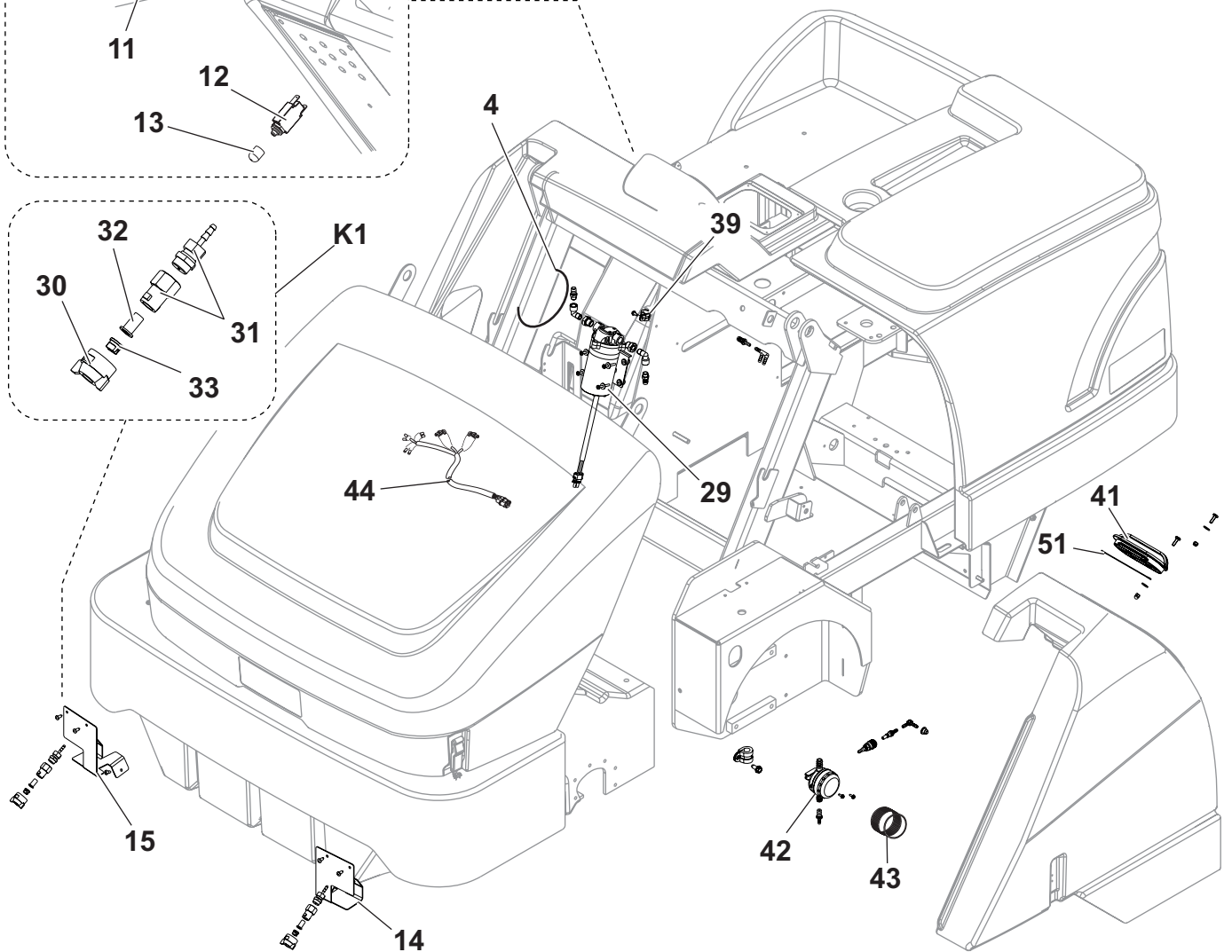
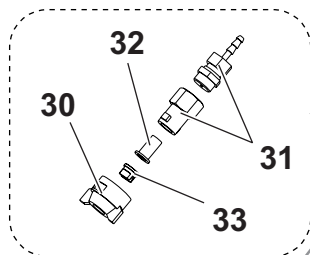
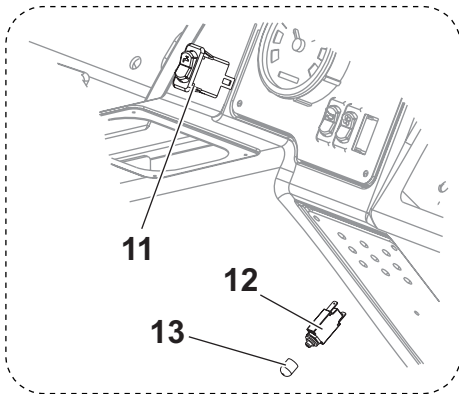
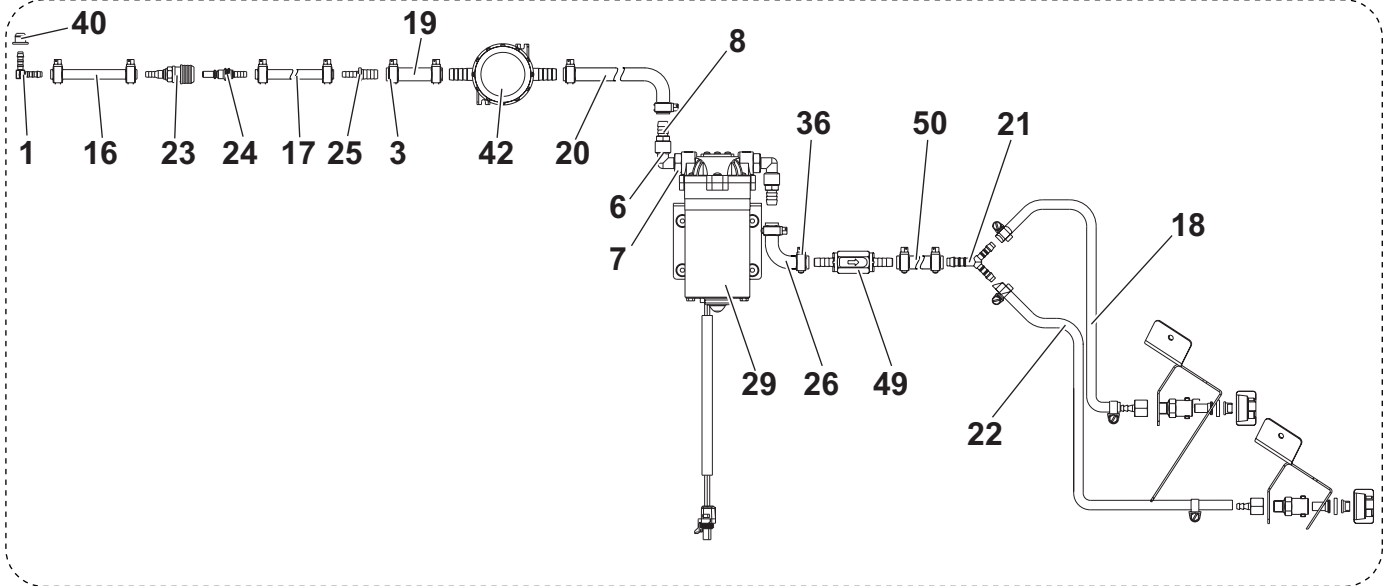
### HYDRAULIC PLANT - SIDE BROOM SCHEME



**HYDRAULIC PLANT - SIDE BROOM SCHEME**

KIT	ITEM	REF. NO.	QTY	DESCRIPTION	NOTE
	1	33017645	1	HOSE HYDRAULIC 1/2 L=2170	
	2	33017640	1	HOSE HYDRAULIC 3/8 L= 625	
	3	33017654	1	HOSE HYDRAULIC 1/4 L=2600	
	4	33017643	1	HOSE HYDRAULIC 1/4 L=3400	
	5	33017646	1	HOSE HYDRAULIC 1/4 L=1460	
	6	33017637	1	HOSE HYDRAULIC 1/4 L= 330	
	7	33017639	1	HOSE HYDRAULIC 1/4 L=1620	
	8	33017631	1	HOSE HYDRAULIC 3/8 L=1520	
	9	33017648	1	HOSE HYDRAULIC 1/2 L=1050	
	10	33017644	1	HOSE HYDRAULIC 1/4 L=2500	
	11	33017629	1	HOSE HYDRAULIC 3/8 L=2900	
	12	33017642	1	HOSE HYDRAULIC 3/8 L= 660	

PRE MISTING SYSTEM 12V

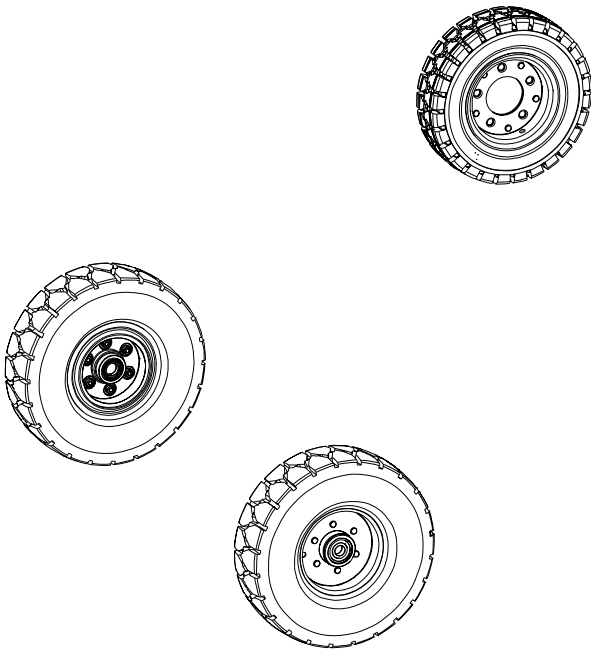


**PRE MISTING SYSTEM 12V**

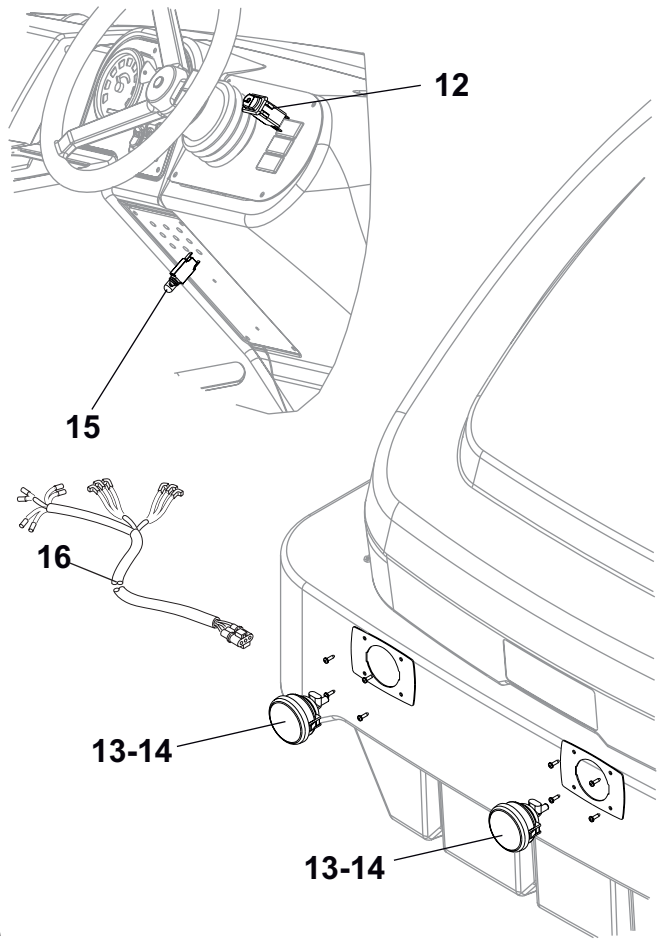
KIT	ITEM	REF. NO.	QTY	DESCRIPTION	NOTE
	1	33020824	1	BARB HOSE 90 D.8 PLAST.	
	3		8	CABLE TIE 200X3.6	
	4		6	CLAMP 9X350	
	6	33011224	2	FITTING 90 M-F 1/4	
	7	33011494	2	REDUCTION GEAR MF 3/8 1	
	8	33011522	2	BARB HOSE STRAIGHT 1/4 D.10.5 MET.	
	11	33019325	1	SWITCH WATER FLUSHING KIT	
	12#	33023236	1	CIRCUIT BREAKER 10A SIP	
	13	33017386	1	CAP RUBBER 3/8 F CIRCUIT BREAKER	
	14	33017927	1	BRACKET LEFT SIDE	
	15	33017928	1	BRACKET RIGHT SIDE	
	16		2	HOSE CRISTAL 6X11 L 100	
	17		1	HOSE CRISTAL 6X11 L 480	
	18		1	HOSE CRISTAL 6X11 L 2020	
	19		1	HOSE D.10 L 65	
	20		1	HOSE D.10 L 1400	
	21#	1467179000	1	ELBOW Y D.6-8-6 2 PCS SET	
	22		1	HOSE CRISTAL 6X11 L 2740	
	23	1465915000	1	CONNECTOR FEMALE	
	24	1465916000	1	CONNECTOR MALE	
	25#	1467180000	1	FITTING STRAIGHT REDUCER 4 PCS SET	
	26		1	HOSE D.10 L 60	
	28		2	SCREW M6X20	
	29	33019329	1	PUMP WATER KIT	
	30#	1467248000	2	RING NUT QUICK COUPLING SIP	
	31	33020865	2	ADAPTER SPRAY KIT	
	32#	1467245000	2	CHECK VALVE FILTER SIP	
	33#	1467247000	2	NOZZLE SPRAY D.0.53 BRASS SIP	
	33#	1467246000	2	NOZZLE SPRAY D.0.33 SS SIP	
	34		2	COLLAR D.10	
	36#	33023593	4	CLAMP HOSE 8-16/9 DIN3017 2 PCS SET	
	39		1	CLAMP HOSE D.18	
	40	909 6089 000	1	GROMMET D.18 TYPE P WS6	
	41	9097385000	1	CAP SOLUTION TANK	
	42#	9100000860	1	FILTER WATER SIP	
	43#	9100000861	1	NET WATER FILTER REINFORCED SIP	
	49	33021303	1	VALVE CHECK D.10 KIT	(33021304) INSTALLATION INSTRUCTIONS
	50	33022092	1	HOSE POLYESTER REINF. D.10 L.900MM SIP	
	51	9097485000	1	CABLE OPENING CAP	
	K1	33019324	2	NOZZLE SPRAY KIT	ITEM 30-31-32-33
	[K2]	33019326	1	HOSES AND FITTINGS MISTING SYST.KIT	ITEM 1-3-4-5-6-7-8-10-16-17-18-19-20-21-22-23-24-25-26-27-28-35-37-38-39-40
	<b>[K3]*</b>	<b>33019175</b>	<b>1</b>	<b>PRE MISTING SYSTEM 12V KIT</b>	<b>(33019169) INSTALLATION INSTRUCTIONS</b>

WHEELS - TILT STEERING - AMBER STROBE LIGHT - FLASHING BEACON

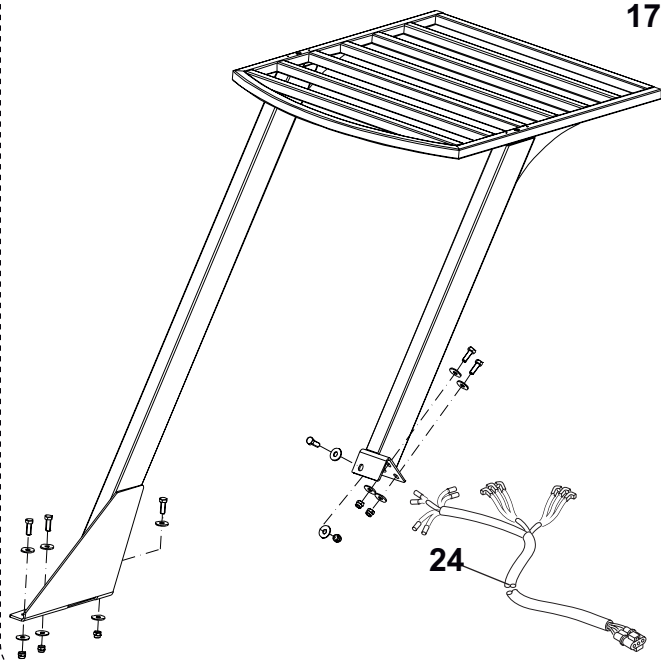
1



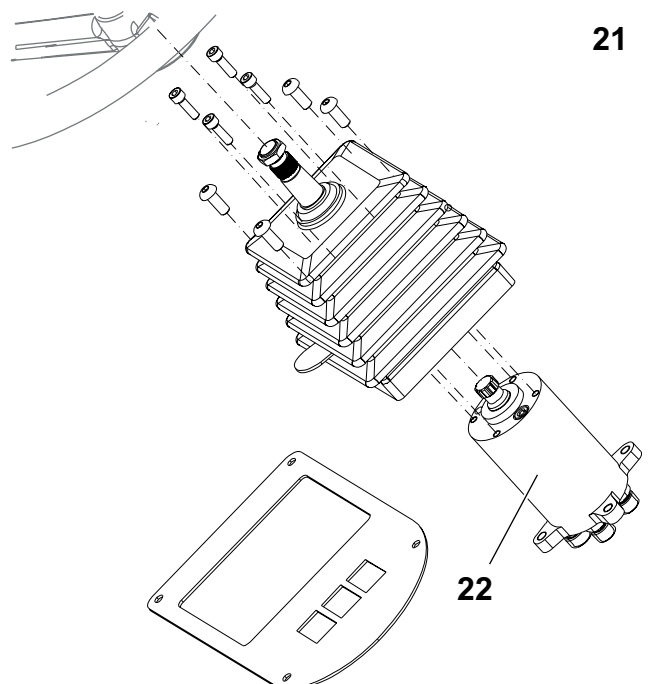
11



17



21

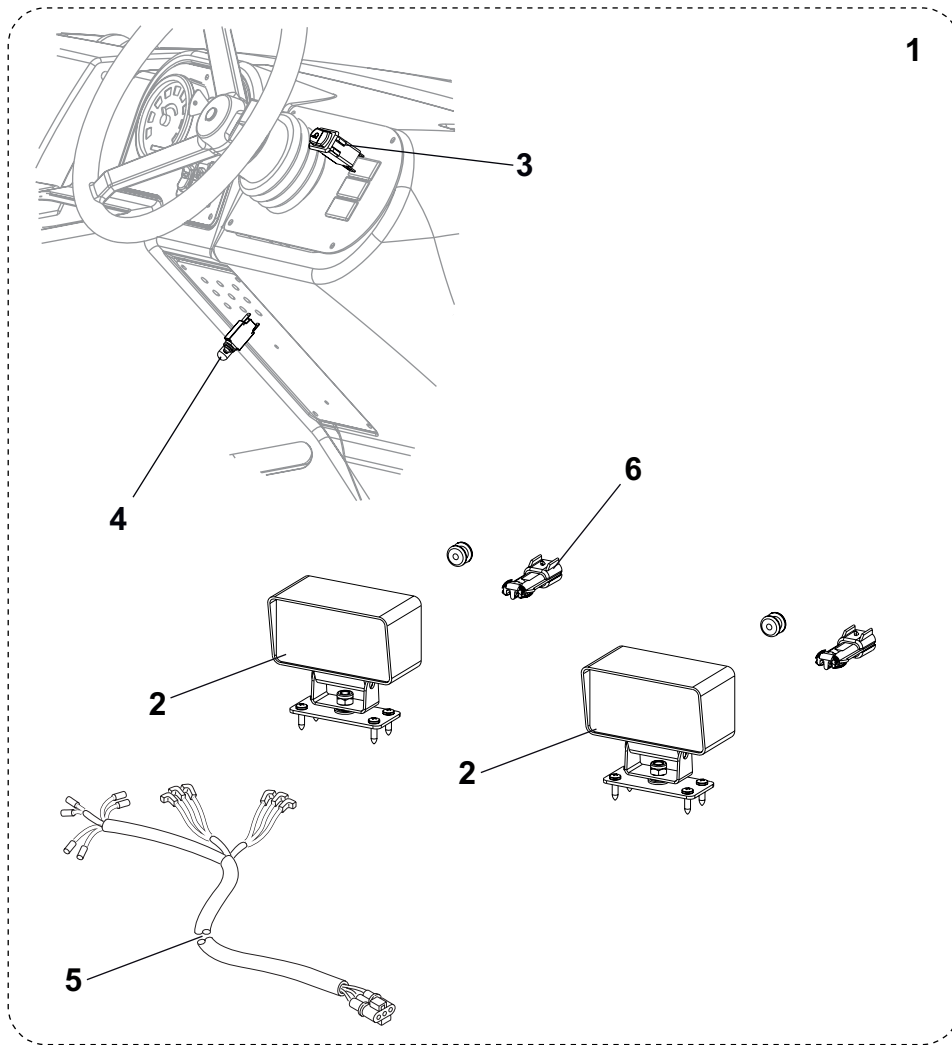




**WHEELS - TILT STEERING - AMBER STROBE LIGHT - FLASHING BEACON**

KIT	ITEM	REF. NO.	QTY	DESCRIPTION	NOTE
	<b>1*</b>	<b>33022245</b>	<b>1</b>	<b>WHEELS FOAMED KIT</b>	
	<b>11*#</b>	<b>33023232</b>	<b>1</b>	<b>LIGHT FRONT 12V KIT</b>	(33023228) INSTALLATION INSTRUCTIONS SEE TSB-FC-2015-013
	12	33019736	1	SWITCH FRONT LIGHT KIT	
	13	1466367000	2	LIGHT WORK 12V CPL SIP	FOR KIT 33023232, 33023239
	14	1466368000	2	BULB LIGHT 12V 55W H3 SIP	FOR KIT 33023232, 33023239
	15	33023236	1	CIRCUIT BREAKER 10A SIP	
	16	33019219	1	HARNESS FRONT HEADLIGHT 12 V	FOR KIT 33023232, 33023239
	<b>17*</b>	<b>33019171</b>	<b>1</b>	<b>GUARD OVERHEAD KIT</b>	(33020629) INSTALLATION INSTRUCTIONS
	<b>20*</b>	<b>33019174</b>	<b>1</b>	<b>STEERING ADJUSTABLE KIT</b>	(33019157) INSTALLATION INSTRUCTIONS
	21	33022286	1	STEERING UNIT HYDROST.POWER 50CC SIP	
	*	33022033	1	GASKET STEERING UNIT KIT	
	<b>[23]*</b>	<b>56507039</b>	<b>1</b>	<b>AMBER STROBE FOR OHG</b>	(56040899) INSTALLATION INSTRUCTIONS
	24	33022486	1	HARNESS BEACON FOR OHG KIT	(33022485) INSTALLATION INSTRUCTIONS
	[25]#	56510893	1	BEACON-WARNING LED	
	<b>[26]*</b>	<b>56507038</b>	<b>1</b>	<b>AMBER STROBE NO OHG</b>	(56040898) INSTALLATION INSTRUCTIONS
	[27]	33022681	1	HARDWARE BEACON KIT	
	[28]#	56510893	1	BEACON-WARNING LED	

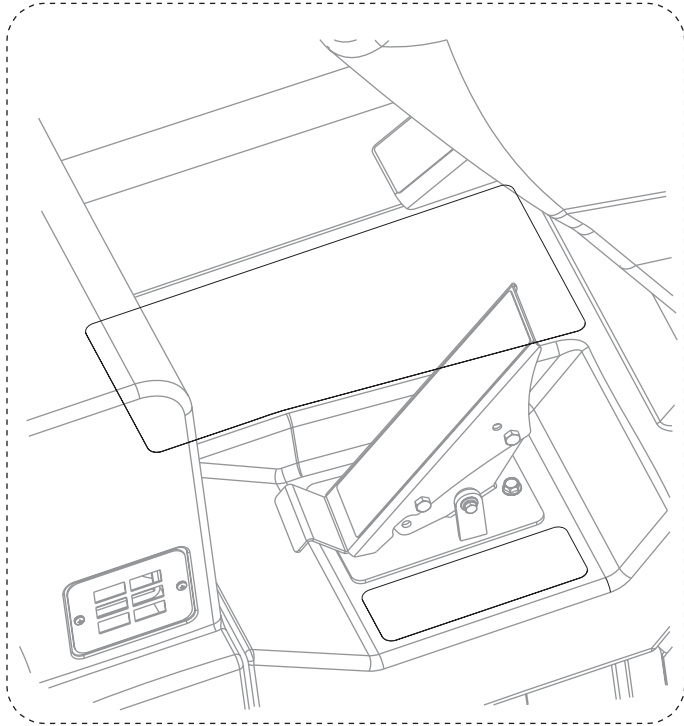
# LIGHT FRONT LED 12V



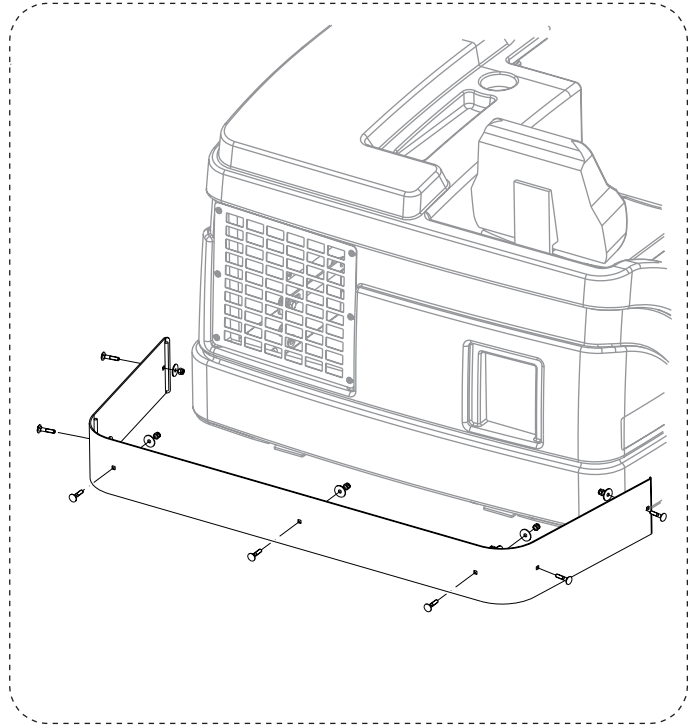
**LIGHT FRONT LED 12V**

KIT	ITEM	REF. NO.	QTY	DESCRIPTION	NOTE
	1*#	33023682	1	LIGHT FRONT LED 12V KIT	(33023683) INSTALLATION INSTRUCTIONS
	2#	33023717	2	LIGHT WORK LED 10-30V18W KIT	
	3	33019736	1	SWITCH FRONT LIGHT KIT	
	4	33023236	1	CIRCUIT BREAKER 10A SIP	
	5	33019219	1	HARNESS FRONT HEADLIGHT 12V	
	6	1467754000	2	CONNECTOR 2 WAYS KIT	

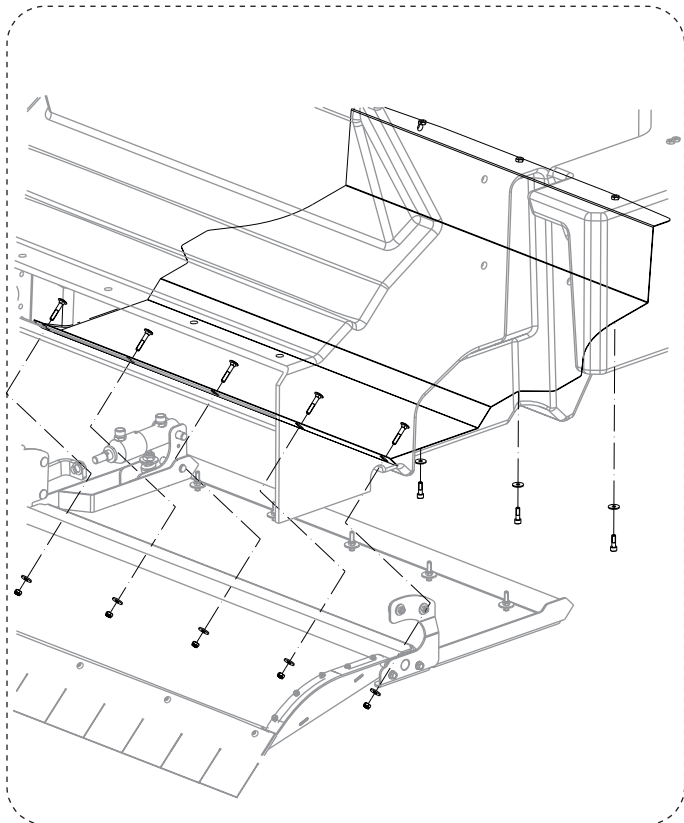
**MAT FLOOR - GUARD REAR BUMPER - METAL LINER HOPPER - FRONT PROTECTION**



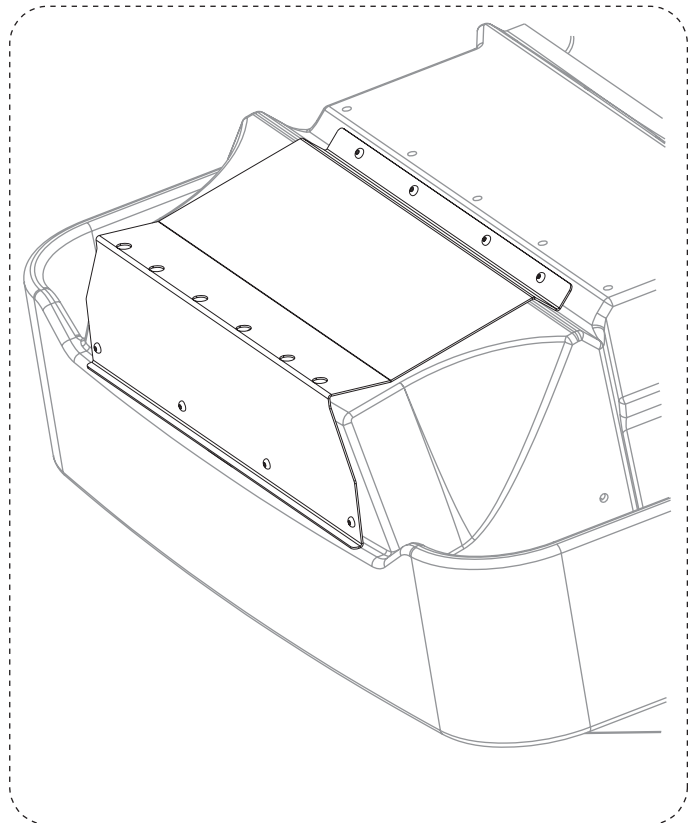
1



3



5

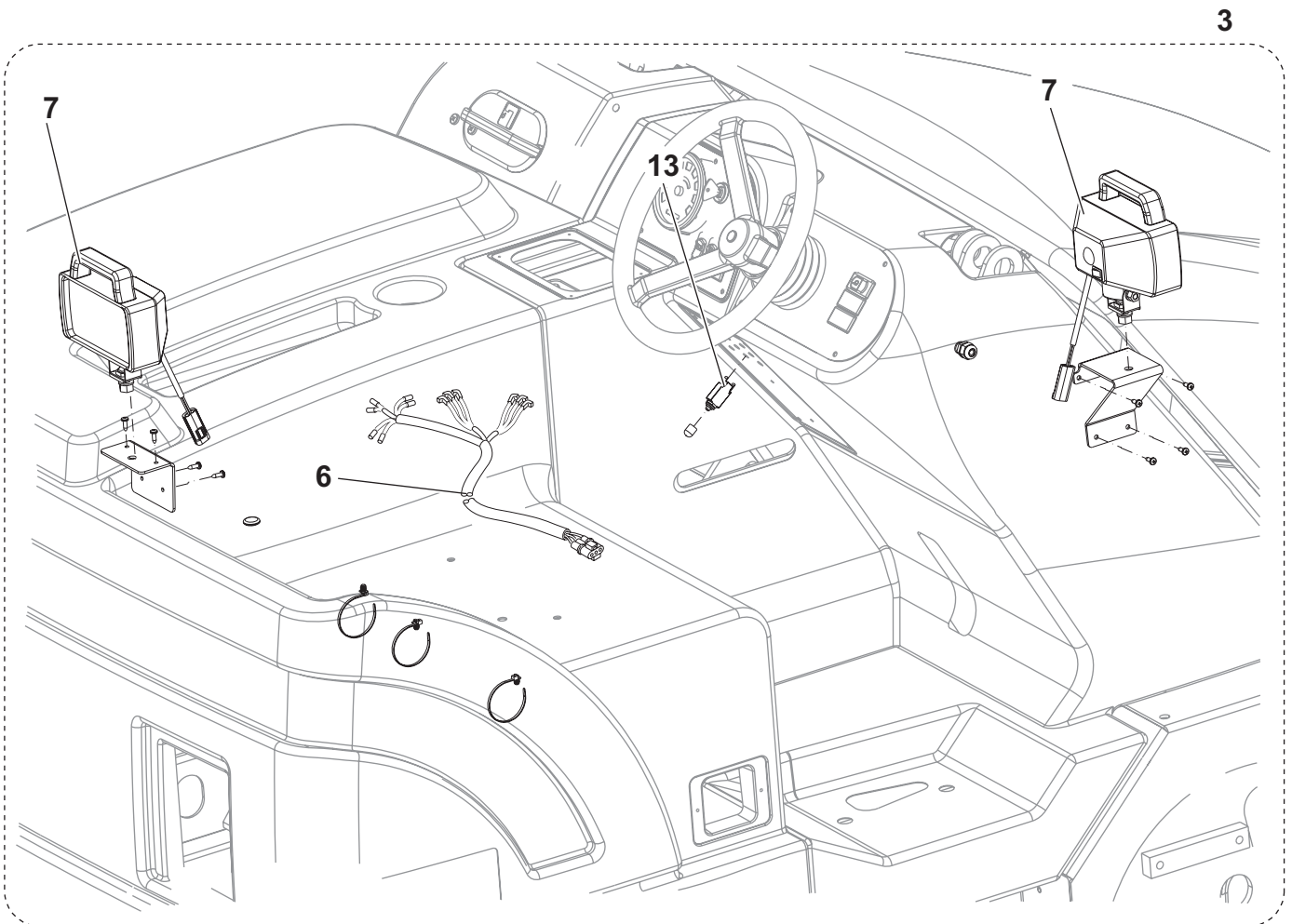
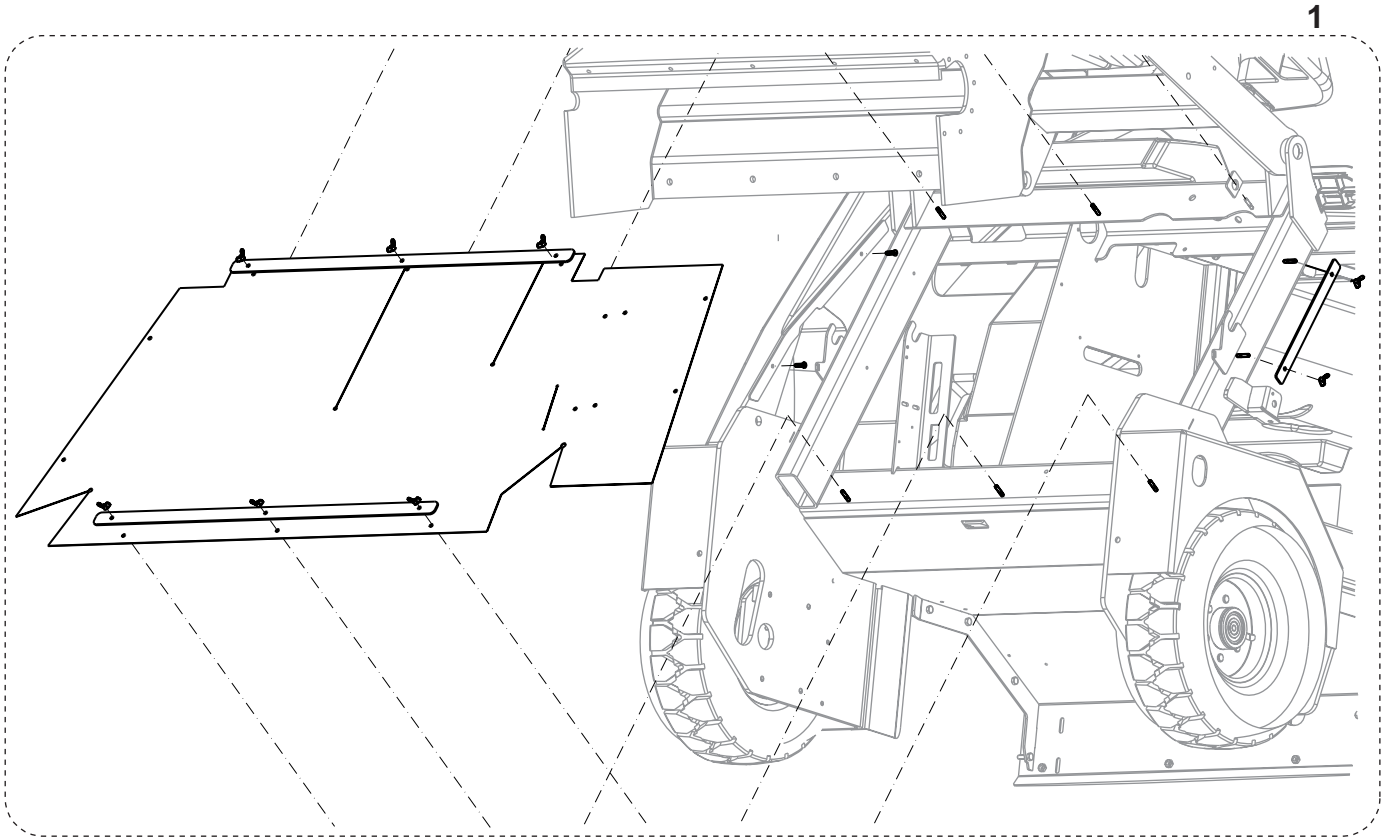


7

**MAT FLOOR - GUARD REAR BUMPER - METAL LINER HOPPER - FRONT PROTECTION**

KIT	ITEM	REF. NO.	QTY	DESCRIPTION	NOTE
	1*	33019570	1	MAT FLOOR KIT	(33019195) INSTALLATION INSTRUCTIONS
	3*	33019572	1	GUARD REAR BUMPER KIT	(33019205) INSTALLATION INSTRUCTIONS
	5*	33019573	1	METAL LINER HOPPER KIT	(33019207) INSTALLATION INSTRUCTIONS
	7*	33021392	1	FRONT PROTECTION KIT	(33021393) INSTALLATION INSTRUCTIONS

### HOPPER DUST FLAP - WORKING LIGHT 12V

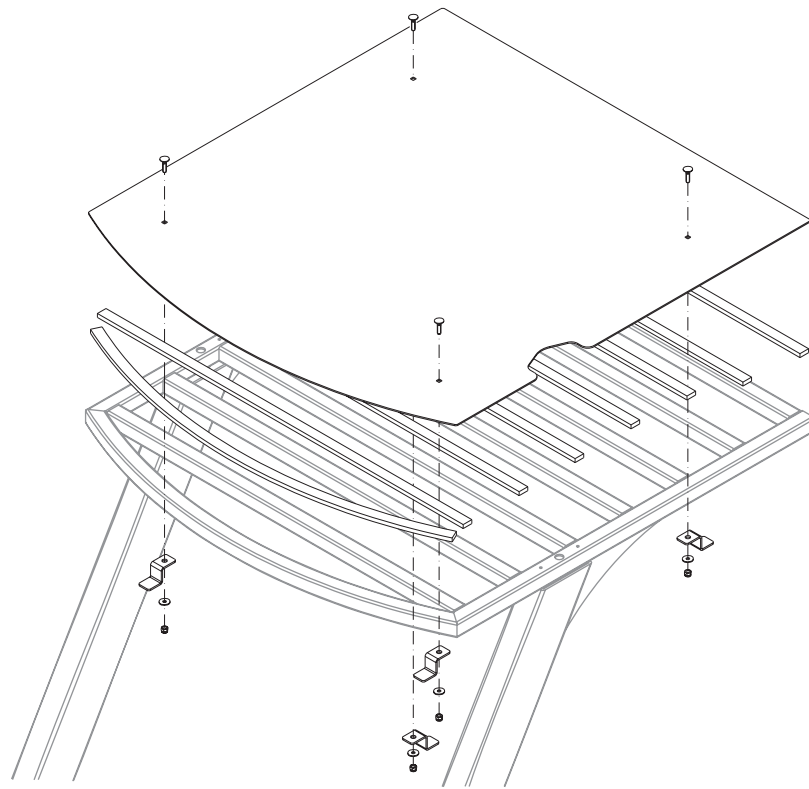


**HOPPER DUST FLAP - WORKING LIGHT 12V**

KIT	ITEM	REF. NO.	QTY	DESCRIPTION	NOTE
	1*	33020372	1	HOPPER DUST FLAP KIT	(33020373) INSTALLATION INSTRUCTIONS
	3*	33020298	1	WORKING LIGHT 12V KIT	(33020293) INSTALLATION INSTRUCTIONS
	6	33020313	1	CABLE WORKING LIGHT	
	7	33020351	2	LIGHT WORKING 12V	
	13	33017360	1	BREAKER CIRCUIT 16A	

CANOPY

2

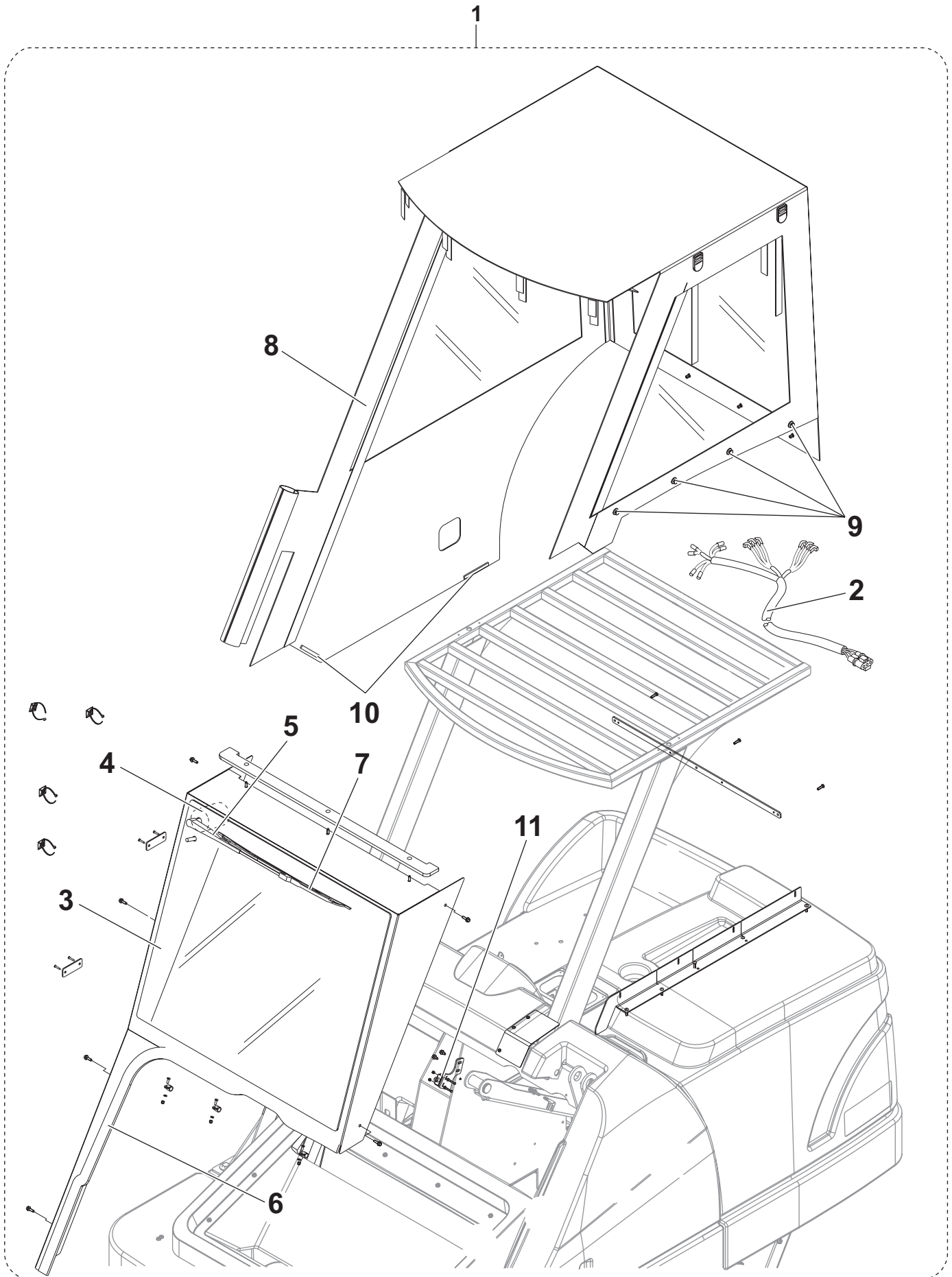




**CANOPY**

KIT	ITEM	REF. NO.	QTY	DESCRIPTION	NOTE
	2*	33020052	1	CANOPY KIT	(33020051) INSTALLATION INSTRUCTIONS

SOFT CABIN

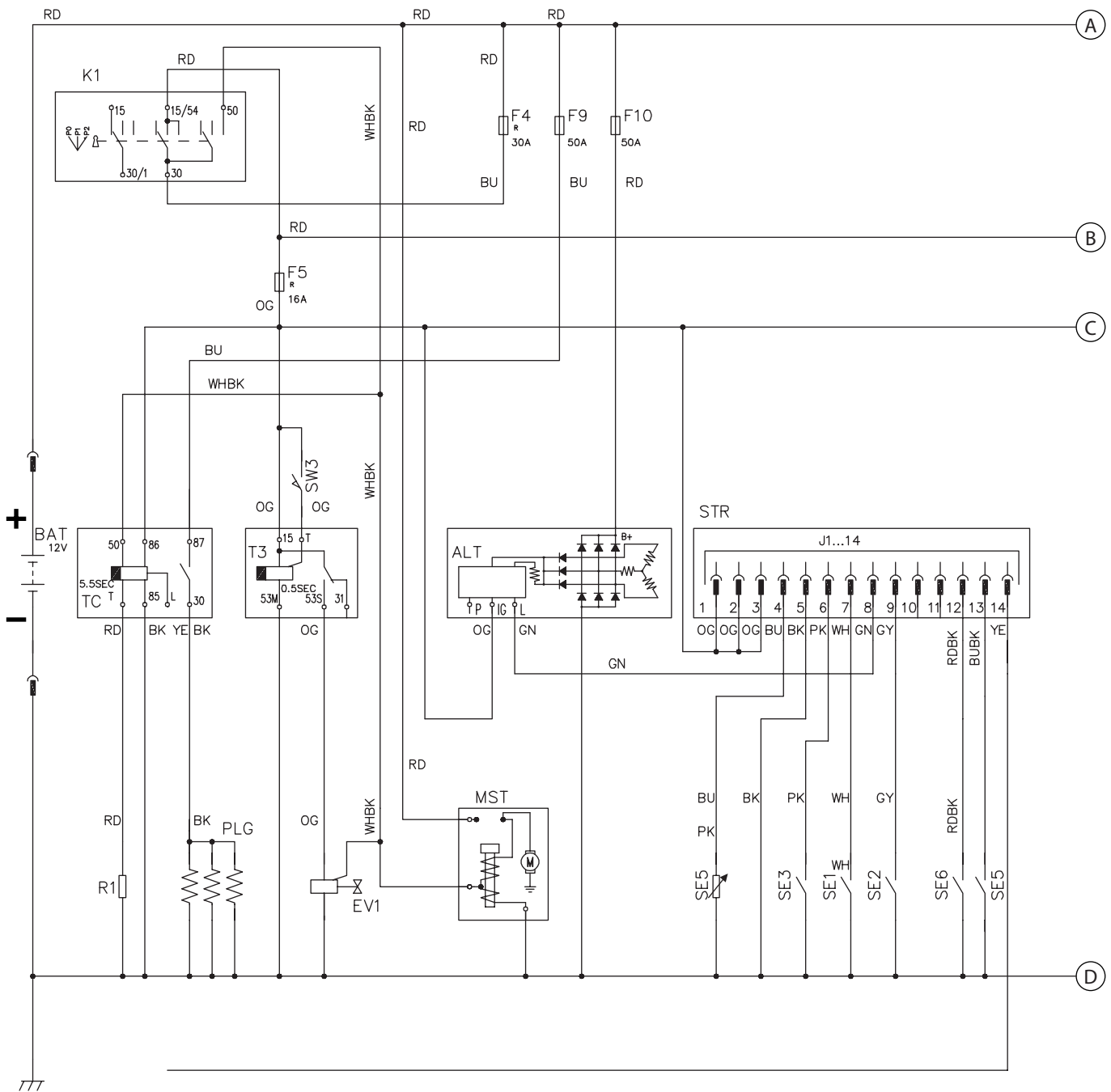


**SOFT CABIN**

KIT	ITEM	REF. NO.	QTY	DESCRIPTION	NOTE
	1*	33020002	1	SOFT CABIN KIT	(33020001) INSTALLATION INSTRUCTIONS
	2	33020456	1	HARNESS WINDSCREEN WIPER	
	3	33020288	1	WINDSCREEN	
	4	33020457	1	MOTOR WINDSCREEN WIPER	
	5	33020571	1	ARM WINDSCREEN WIPER	
	6	33020623	1	GASKET	
	7	33020460	1	WINDSCREEN WIPER	
	8	33020292	1	CABIN SOFT	
	9	33020461	8	COUPLING QUICK LOCK	
	10	33020611	2	MAGNET FIXING CABIN	
	11	33020459	1	MICROSWITCH 16A 250V	

# WIRING DIAGRAM 3 CYL. DIESEL - PAGE 1

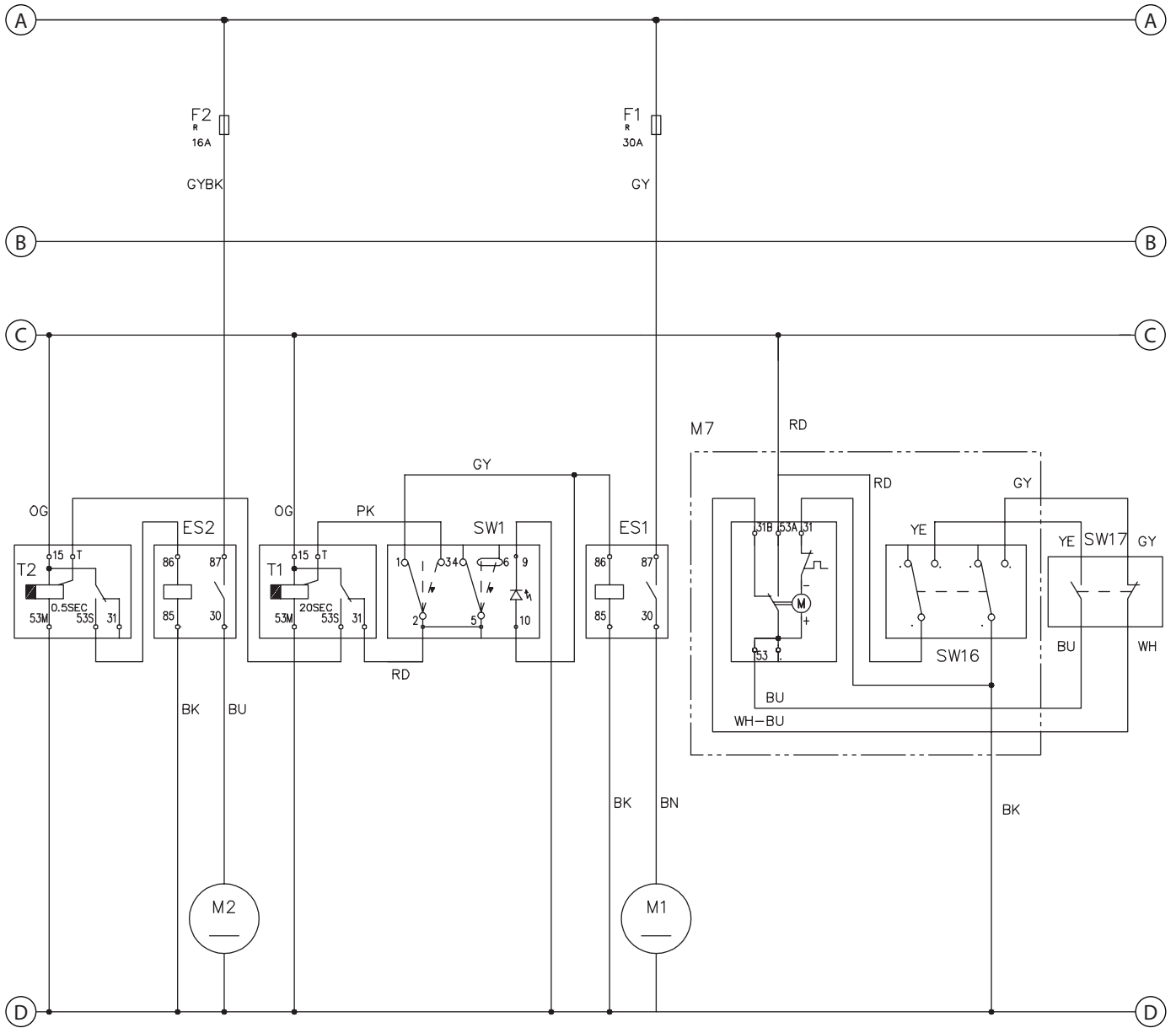
PAGE 2 



# WIRING DIAGRAM 3 CYL. DIESEL - PAGE 2

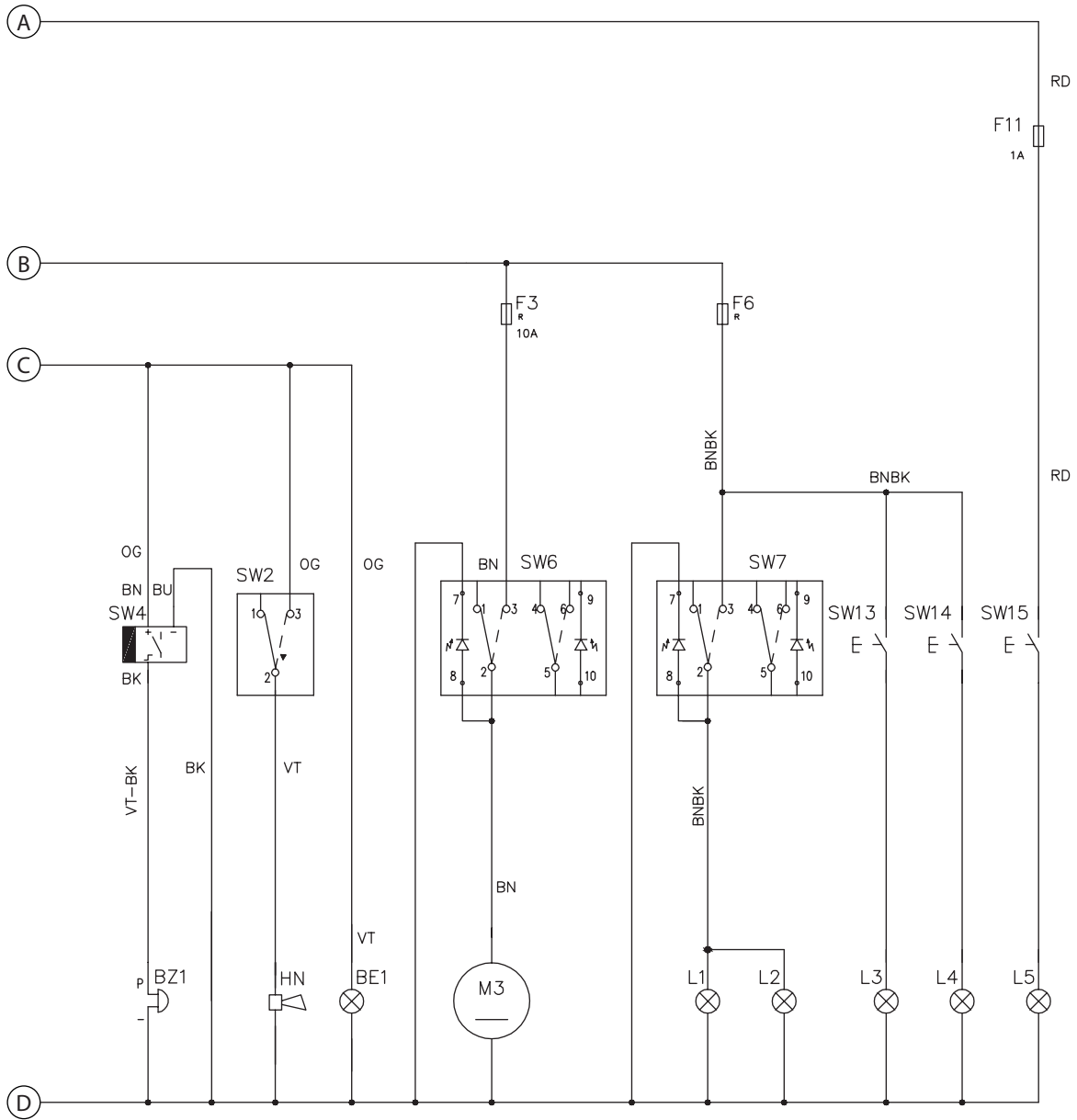
← PAGE 1

PAGE 3 →



WIRING DIAGRAM 3 CYL. DIESEL - PAGE 3

PAGE 2



**WIRING DIAGRAM 3 CYL. DIESEL - PAGE 4**

KEY	REF. NO.	DESCRIPTION	NOTE
ALT	33019147	ALTERNATOR 12V 60A	
BAT	1467085000	BATTERY STARTER 12V 77AH-C20 SIP	
BE1	56510893	BEACON-WARNING LED	
BZ1	33022642	BUZZER REVERSE GEAR ENGINE KIT	
ES1	146 3113 000	RELAY 12V 70A	
ES2	146 3113 000	RELAY 12V 70A	
EV1	-	SOLENOID VALVE	
F1	909 5706 000	CIRCUIT BREAKER 30A	
F2	33017360	CIRCUIT BREAKER 16A	
F3	33023236	CIRCUIT BREAKER 10A SIP	
F4	909 5706 000	CIRCUIT BREAKER 30A	
F5	33017360	CIRCUIT BREAKER 16A	
F6	33023236	CIRCUIT BREAKER 10A SIP	
F8	-	CAB BLOWER CIRCUIT BREAKER	
F10	146 1873 000	FUSE BLADE 50A	
F11	-	HOOD INNER LIGHT FUSE	
HN	145 3801 000	HORN 12V 112DB	
K1	33020442	SWITCH IGNITION STARTER W/SPARE KEY KIT	
L1	1466367000	LIGHT WORK 12V CPL SIP	
L2	1466367000	LIGHT WORK 12V CPL SIP	
L3	33020351	LIGHT WORKING 12V	
L4	33020351	LIGHT WORKING 12V	
L5	56305627	TROUBLE LAMP	
M1	33015222	FAN RADIAL 12V	
M2	146 1104 000	MOTOR FILTER SHAKER 90W 12V	
M3	33019329	PUMP WATER KIT	
M7	33020457	MOTOR WINDSCREEN WIPER	
MST	33019149	STARTER	
PLG	-	GLOW PLUGS	
R1	-	GLOW PLUG WARNING LIGHT RESISTANCE	
SE1	-	OIL PRESSURE SENSOR	
SE2	-	WATER TEMPERATURE SENSOR	
SE3	56305518	SWITCH VACUUM	
SE5	33018864	INDICATOR LEVEL FUEL KIT	
SE6	56507029	HOPPER TEMP SENSOR KIT	
STR	1466192000	GAUGE 12V SIP	
SW1	33018843	SWITCH SUCTION KIT	
SW2	33018844	SWITCH HORN KIT	
SW3	-	DRIVER'S SEAT MICROSWITCH	
SW4	1466507000	MICROSWITCH 10A 250V SIP	
SW6	33019325	SWITCH WATER FLUSHING KIT	
SW7	-	WORKING LIGHT SWITCH	
SW13	-	DRIVER'S SIDE WORKING LIGHT SWITCH	
SW14	-	REAR WORKING LIGHT SWITCH	
SW15	-	HOOD INNER LIGHT SWITCH	
SW16	33020459	MICROSWITCH 16A 250V	
SW17	33020459	MICROSWITCH 16A 250V	
T1	1466193000	RELAY TIMER 20 SECONDS SIP	
T2	1466194000	RELAY TIMER 0.5 SEC. SIP	
T3	1466196000	RELAY TIMER 0.5 SECONDS SIP	
TC	33019990	RELAY HEATING PLUGS	

**KEY COLOUR**

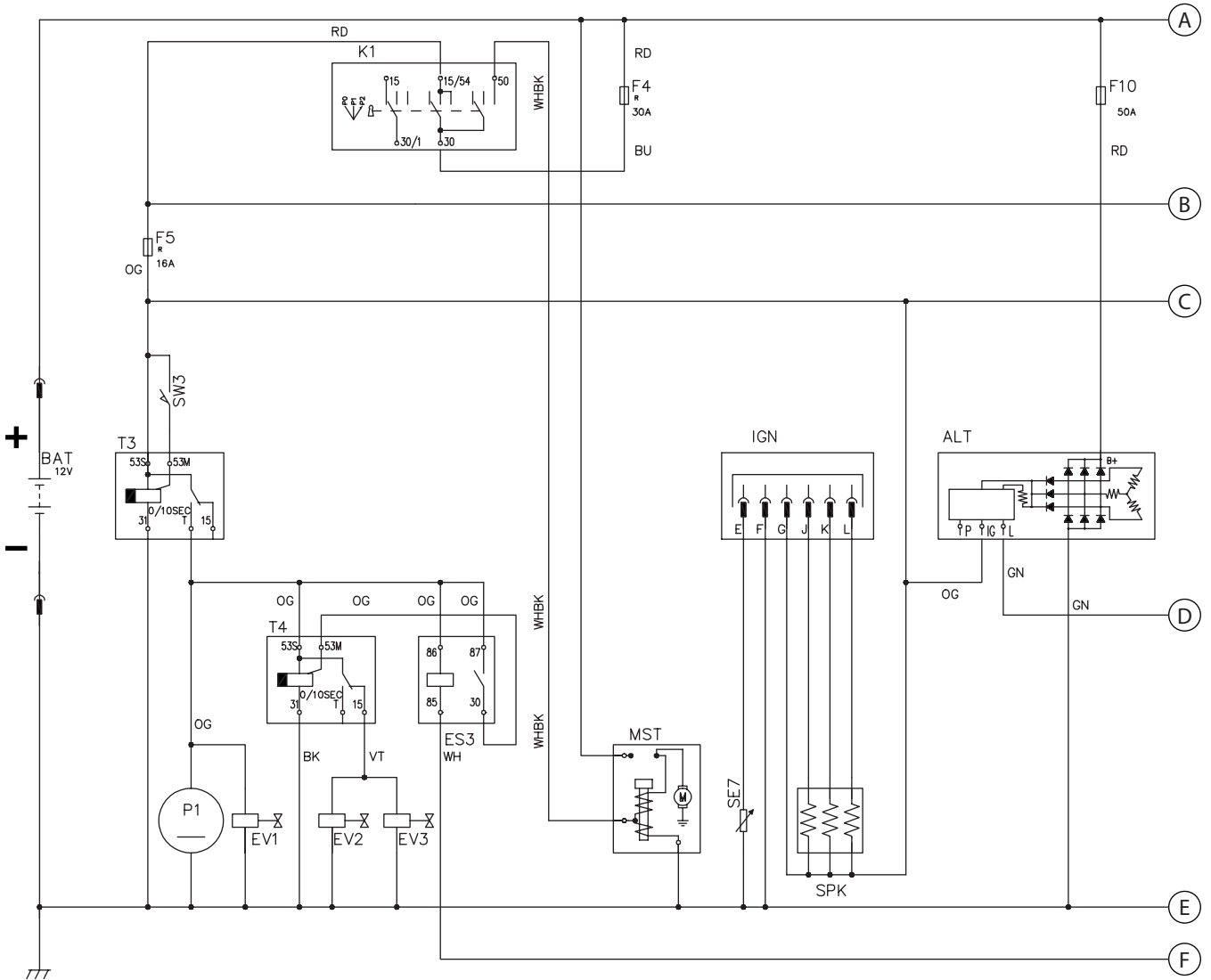
BK	BLACK
BU	LIGHT BLUE
BN	BROWN
GN	GREEN
GY	GREY
OG	ORANGE

**KEY COLOUR**

PK	PINK
RD	RED
VT	VIOLET
WH	WHITE
YE	YELLOW

WIRING DIAGRAM 3 CYL. LPG - GASOLINE - PAGE 1

PAGE 2

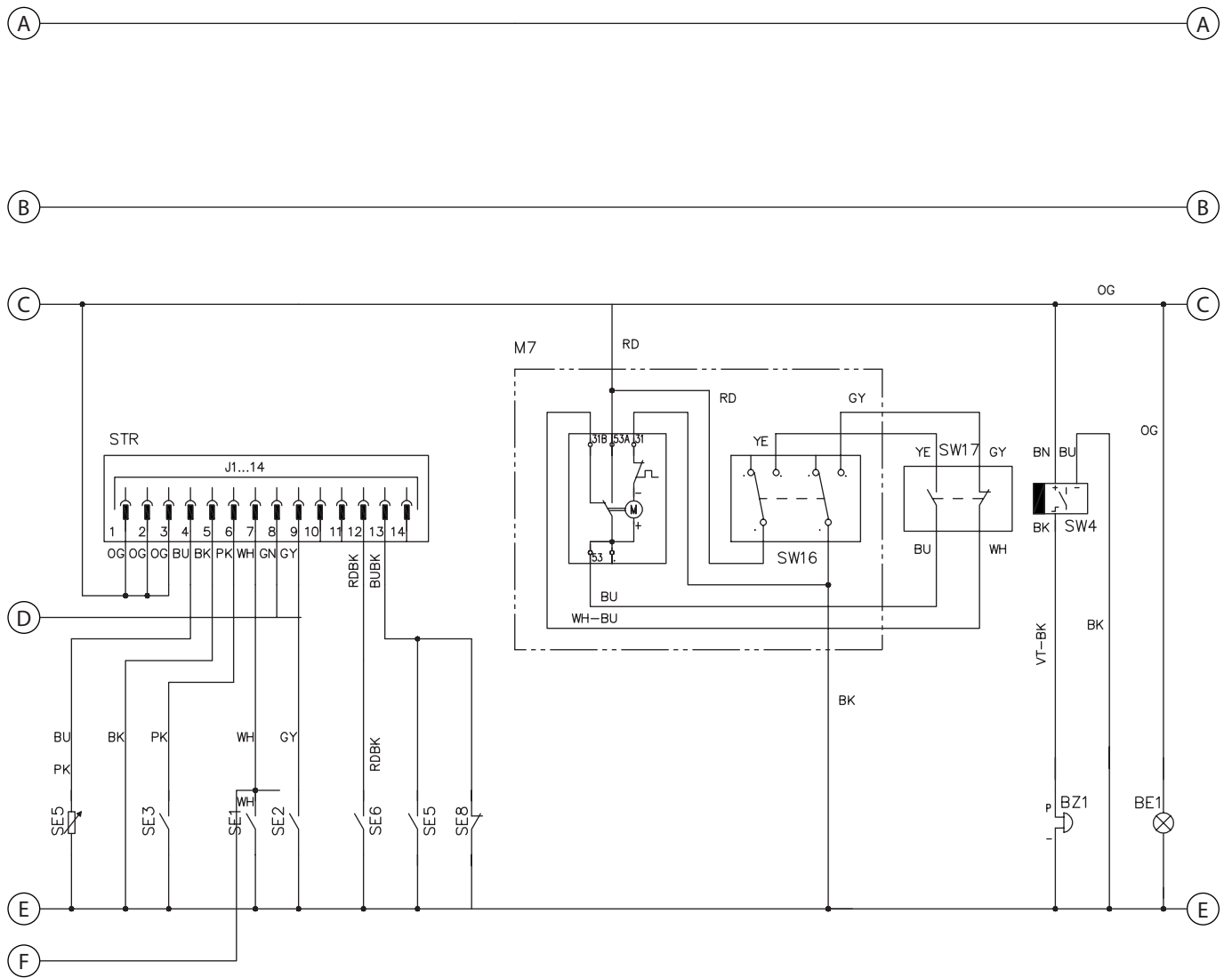




# WIRING DIAGRAM 3 CYL. LPG - GASOLINE - PAGE 2

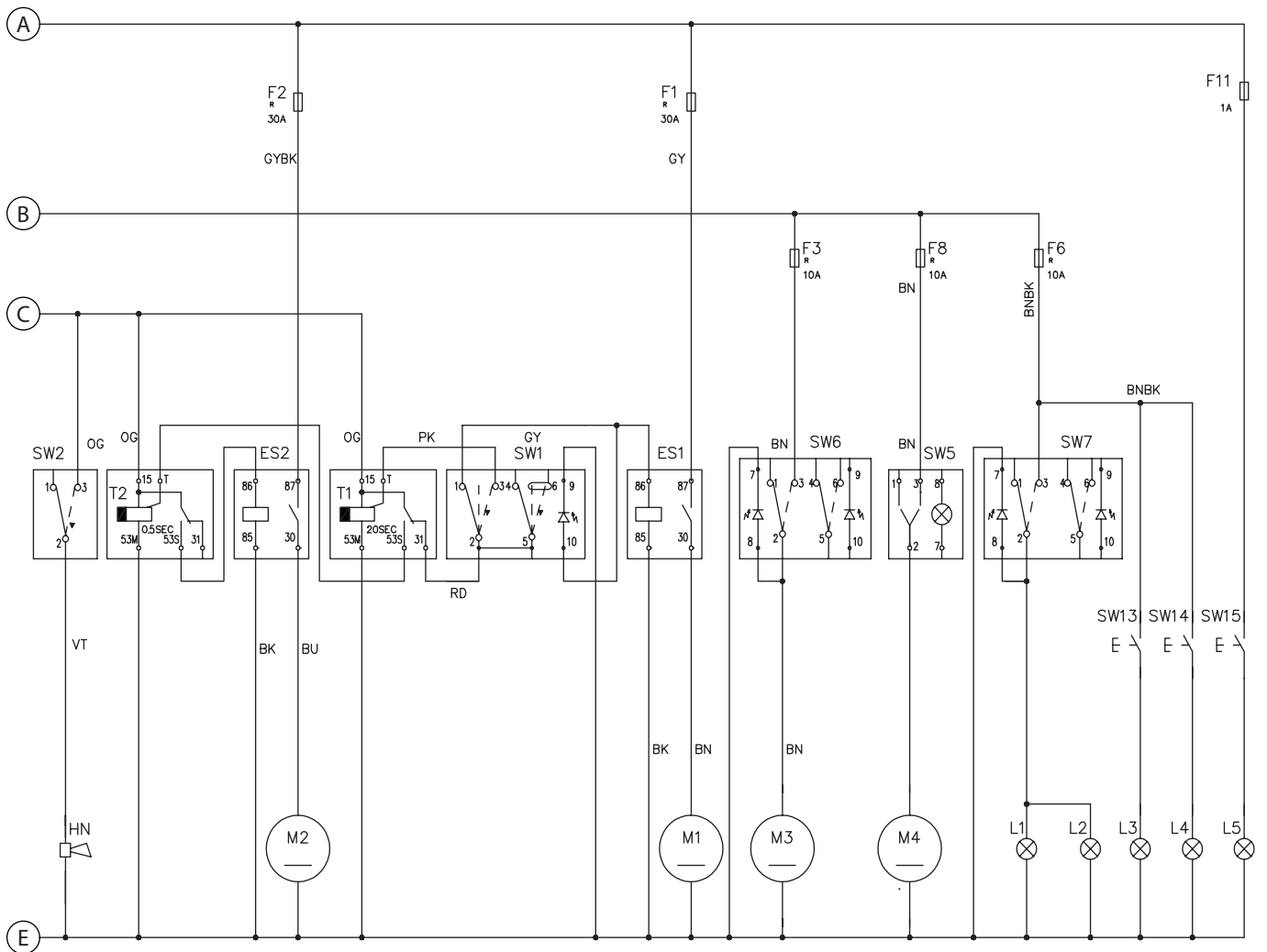
PAGE 1

PAGE 3



WIRING DIAGRAM 3 CYL. LPG - GASOLINE - PAGE 3

PAGE 2



**WIRING DIAGRAM 3 CYL. LPG - GASOLINE - PAGE 4**

KEY	REF. NO.	DESCRIPTION	NOTE
ALT	33019147	ALTERNATOR 12V 60A	
BAT	1467085000	BATTERY STARTER 12V 77AH-C20 SIP	
BE1	56510893	BEACON-WARNING LED	
BZ1	33022642	BUZZER REVERSE GEAR ENGINE KIT	
ES1	146 3113 000	RELAY 12V 70A	
ES2	146 3113 000	RELAY 12V 70A	
ES3	33009141	MICRO RELAY 12V CHANGEOVER	
EV1	-	GASOLINE SOLENOID VALVE	
EV2	-	LPG SOLENOID VALVE	
EV3	33017756	SOLENOID VALVE 12V THREADS 1/4 NPT UL AP	
F1	909 5706 000	CIRCUIT BREAKER 30A	
F2	33017360	CIRCUIT BREAKER 16A	
F3	33023236	CIRCUIT BREAKER 10A SIP	
F4	909 5706 000	CIRCUIT BREAKER 30A	
F5	33017360	CIRCUIT BREAKER 16A	
F6	33023236	CIRCUIT BREAKER 10A SIP	
F8	-	CAB BLOWER CIRCUIT BREAKER (OPT.)	
F10	146 1873 000	FUSE BLADE 50A	
F11	-	HOOD INNER LIGHT FUSE (1 A) (OPT.)	
HN	145 3801 000	HORN 12V 112DB	
K1	33020442	SWITCH IGNITION STARTER W/SPARE KEY KIT	
L1	1466367000	LIGHT WORK 12V CPL SIP	
L2	1466367000	LIGHT WORK 12V CPL SIP	
L3	33020351	LIGHT WORKING 12V	
L4	33020351	LIGHT WORKING 12V	
L5	56305627	TROUBLE LAMP	
M1	33015222	FAN RADIAL 12V	
M2	146 1104 000	MOTOR FILTER SHAKER 90W 12V	
M3	33019329	PUMP WATER KIT	
M4	-	CAB BLOWER (OPT.)	
M7	33020457	MOTOR WINDSCREEN WIPER	
MST	33019149	STARTER	
P1	-	GASOLINE PUMP	
SE1	-	OIL PRESSURE SENSOR	
SE2	-	WATER TEMPERATURE SENSOR	
SE3	56305518	SWITCH VACUUM	
SE5	33018864	INDICATOR LEVEL FUEL KIT	
SE6	56507029	HOPPER TEMP SENSOR KIT	
SE7	-	ENGINE SPEED SENSOR (OPT.)	
SE8	33022290	KIT SWITCH PRESSURE (LPG)	
SPK	-	GLOW PLUG COILS	
STR	1466192000	GAUGE 12V SIP	
SW1	33018843	SWITCH SUCTION KIT	
SW2	33018844	SWITCH HORN KIT	
SW3	-	DRIVER'S SEAT MICROSWITCH	
SW4	1466507000	MICROSWITCH 10A 250V SIP	
SW5	-	CAB BLOWER SWITCH (OPT.)	
SW6	33019325	SWITCH WATER FLUSHING KIT	
SW7	-	WORKING LIGHT SWITCH (OPT.)	
SW13	-	DRIVER'S SIDE WORKING LIGHT SWITCH (OPT.)	
SW14	-	REAR WORKING LIGHT SWITCH (OPT.)	
SW15	-	HOOD INNER LIGHT SWITCH (OPT.)	
SW16	33020459	MICROSWITCH 16A 250V	
SW17	33020459	MICROSWITCH 16A 250V	
T1	1466193000	RELAY TIMER 20 SECONDS SIP	
T2	1466194000	RELAY TIMER 0.5 SEC. SIP	
T3	1466196000	RELAY TIMER 0.5 SECONDS SIP	
T4	1466195000	TIMER SIP	

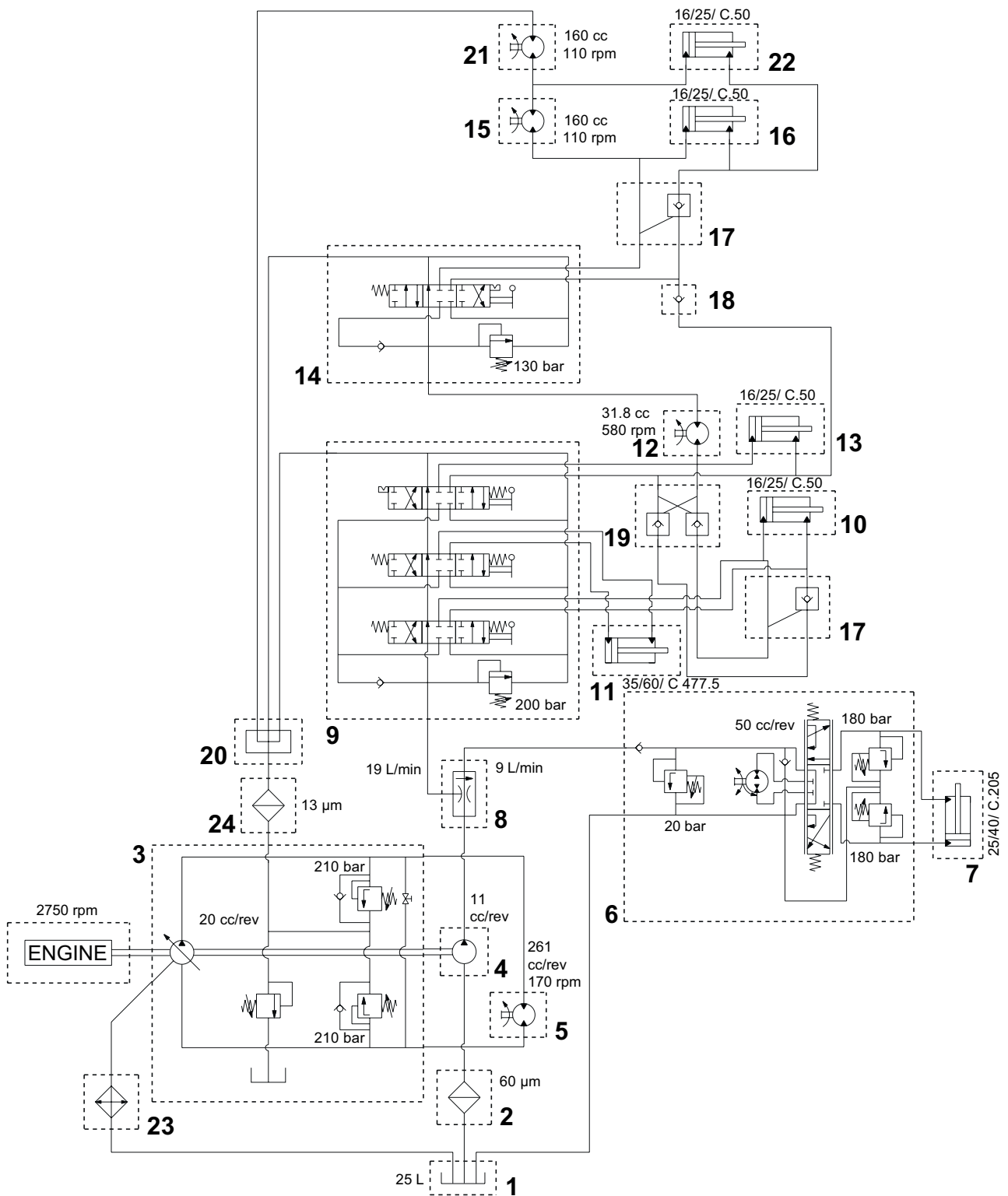
**KEY COLOUR**

BK	BLACK
BU	LIGHT BLUE
BN	BROWN
GN	GREEN
GY	GREY
OG	ORANGE

**KEY COLOUR**

PK	PINK
RD	RED
VT	VIOLET
WH	WHITE
YE	YELLOW

HYDRAULIC DIAGRAM



**HYDRAULIC DIAGRAM**

KEY	REF. NO.	DESCRIPTION	NOTE
1	33018809	TANK OIL KIT	
2	33010199	FILTER HYDRAULIC OIL	
3#	33023339	PUMP AND BELLHOUSING DIESEL KIT	
3#	33023340	PUMP AND BELLHOUSING PETROL-LPG KIT	
4	33018874	PUMP GEAR KIT	
5	33018793	MOTOR DRIVE KIT	
6	33022292	STEERING UNIT HYDROST.POWER 50CC SIP	
6	33022286	STEERING UNIT HYDROST.POWER 50CC SIP	
7	33018808	CYLINDER POWER STEERING KIT	
8	33018816	VALVE PRIORITY KIT OLD VERSION	
9	33018812	DISTRIBUTOR 3 ELEMENTS KIT	
10	33018811	CYLINDER LIFTING CONTAINER KIT	
11	33018802	MICRO CYLINDER KIT	
12#	33023380	MOTOR HYDRAULIC F MAIN BROOM KIT	
13	33021765	MAIN BROOM CYLINDER KIT	
14	33018815	DISTRIBUTOR 1 ELEMENT KIT	
15	33018807	MOTOR SIDE BROOM KIT	
16	33021767	SIDE BROOM RIGHT CYLINDER KIT	
17	33018840	CHECK VALVE 1/4 SINGLE PILOT OPERAT. KIT	
18	33010481	VALVE 3/8 NONRETURN	
19	33018816	VALVE PRIORITY KIT OLD VERSION	
20	33017432	BLOCK HYD. HOSES	
21	33018807	MOTOR SIDE BROOM KIT	
22	33021766	SIDE BROOM LEFT CYLINDER KIT	
23	33018873	RADIATOR KIT	
24	33017431	FILTER OIL CPL	

## RECOMMENDED SPARE PARTS

REF. NO.	QTY	DESCRIPTION	Diesel	LPG	Gasoline
146 1104 000	1	MOTOR FILTER SHAKER 90W 12V	•	•	•
33021313	1	BROOM SIDE 300X500 PPL 1.5	•	•	•
33017255	1	BROOM SIDE 260X550 PPL 1.5	•	•	•
33021047	1	DECAL CONTROL PANEL	•	•	•
33017129	1	TRIM EDGE	•	•	•
# 33023646	1	LATCH SOFT DRAW RUBBER KIT	•	•	•
33018634	1	GASKET ADHESIVE 15X15 L.2560MM	•	•	•
33018812	1	DISTRIBUTOR 3 ELEMENTS KIT	•	•	•
33018815	1	DISTRIBUTOR 1 ELEMENT KIT	•	•	•
33018816	1	VALVE PRIORITY KIT OLD VERSION	•	•	•
33018817	1	CHECK VALVE 1/4 DUAL PILOT KIT	•	•	•
33018840	1	CHECK VALVE 1/4 SINGLE PILOT OPERAT. KIT	•	•	•
33018841	1	FOOT PEDAL UPPER KIT	•	•	•
33018864	1	INDICATOR LEVEL FUEL KIT	•	•	•
# 33023472	1	SUPPORT BEARING KIT	•	•	•
33018867	1	TIE-ROD EYE D.10 KIT	•	•	•
33018868	1	LEVER WELDT KIT	•	•	•
# 33018869	1	LEVER F MAIN BROOM LIFTING KIT	•	•	•
# 33023345	1	HOSE SUPERIOR L. 400MM RADIATOR SIP	•	•	•
145 0231 000	1	FILTER AIR	•	•	•
33021334	1	REGULATOR LPG KIT		•	
33020017	1	STARTER			•
33020018	1	BELT F ALTERNATOR DIESEL MOTOR			•
33018851	1	FILTER OIL ENGINE			•
33017171	1	SKIRT LT SIDE	•	•	•
33017172	1	SKIRT RT SIDE	•	•	•
33017173	2	FOAM HOPPER SIDE	•	•	•
33017174	1	SKIRT REAR BROOM	•	•	•
# 33022518	1	WHEELS PNEUMATIC 5.00/8 KIT	•	•	•
# 33022519	1	WHEELS SUPERELASTICL 5.00/8 KIT	•	•	•
# 33022520	1	WHEELS FOAMED 5.00/8 KIT	•	•	•
# 33022242	1	WHEEL CPL 4.00/8 FOAMED	•	•	•
# 33023192	1	GASKET MOTOR VACUUM SIP	•	•	•
33017259	1	MAT PEDAL	•	•	•
33003175	1	BEARING TAPER ROLLER 32007	•	•	•
# 1467636000	1	BEARING TAPER ROLLER 32006 SIP	•	•	•
33010199	1	FILTER HYDRAULIC OIL	•	•	•
33011530	1	CAP BREATHER W/SPLASH GUARD 1 1/4	•	•	•
# 1466192000	1	GAUGE 12V SIP	•	•	•
# 33020442	1	SWITCH IGNITION STARTER W/SPARE KEY KIT	•	•	•
# 1467014000	1	KEY F STARTER SWITCH 2 PCS SET	•	•	•
# 1466194000	1	RELAY TIMER 0.5 SEC. SIP	•	•	•
33017358	1	HARNESS CONTROL PANEL ENGINE	•	•	•
# 1466193000	1	RELAY TIMER 20 SECONDS SIP	•	•	•
33017360	1	CIRCUIT BREAKER 16A	•	•	•
909 5706 000	3	CIRCUIT BREAKER 30A	•	•	•
33017199	1	SPRING EXTENTION D.E.12.5 WIRE D.1.5	•	•	•
33002106	1	SPRING MAIN BROOM	•	•	•
33015222	1	FAN RADIAL 12V	•	•	•
8-24-04139-1	1	FLTR PANEL ULTRA-WEB CELLULOSE	•	•	•
# 33020381	1	FILTER DIESEL	•		
33018850	1	FILTER OIL ENGINE	•		
33019147	1	ALTERNATOR 12V 60A	•	•	•
33019149	1	STARTER	•		
33019148	1	BELT ALTERNATOR	•		
33018372	1	FILTER FUEL			•
# 1467085000	1	BATTERY STARTER 12V 77AH-C20 SIP	•	•	•
# 1466195000	1	TIMER SIP		•	
# 1466196000	1	RELAY TIMER 0.5 SECONDS SIP	•	•	•
# 1466507000	1	MICROSWITCH 10A 250V SIP	•	•	•
33022290	1	SWITCH PRESSURE 1.1 BAR SIP		•	
33017756	1	SOLENOID VALVE 12V THREADS 1/4 NPT UL AP		•	
# 1467063000	1	VALVE SECURITY 400PSI SIP	•		
33019998	2	PLATE FOR SPEED LIMITING	•	•	•

**OPTIONALS / ACCESSORIES**

REF. NO.	QTY	DESCRIPTION	Diesel	LPG	Gasoline
56382789	1	FILTER PANEL POLY HIGH FLOW	•	•	•
33018889	1	BROOM SIDE 260X550 MIX STEEL	•	•	•
# 33023366	1	BROOM SIDE 260X550 NYLON	•	•	•
33018852	1	BROOM MAIN 310X900 CHEVRON 6R NYLON	•	•	•
33018854	1	BROOM MAIN 310X900 CHEVRON 6R MIX STEEL	•	•	•
33019173	1	BROOM LEFT SIDE PPL KIT	•	•	•
33019175	1	PRE MISTING SYST. 12V KIT	•	•	•
33019171	1	GUARD OVERHEAD KIT	•	•	•
33019176	1	FILTER POCKET 12V KIT	•	•	•
33019174	1	STEERING ADJUSTABLE KIT	•	•	•
56507740	1	POCKET FILTER WATER RESISTANT	•	•	•
33019554	1	BELT SEAT KIT	•	•	•
33019556	1	ARMREST RT SEAT KIT	•	•	•
33022245	1	FOAMED WHEEL KIT	•	•	•
33019570	1	MAT FLOOR KIT	•	•	•
33019572	1	GUARD REAR BUMPER KIT	•	•	•
# 33023682	1	LIGHT FRONT LED 12V KIT	•	•	•
33019573	1	METAL LINER HOPPER KIT	•	•	•
56305627	1	TROUBLE LAMP	•	•	•
56305518	1	SWITCH VACUUM	•	•	•
56507029	1	HOPPER TEMP SENSOR KIT	•	•	•
56507040	1	SUSPENSION SEAT KIT	•	•	•
33020056	1	CLOGGED HOPPER FILTER SENSOR KIT	•	•	•
56507038	1	AMBER STROBE NO OHG	•	•	•
33022681	1	HARDWARE BEACON KIT	•	•	•
33019571	1	SIDE BROOM PROTECTION KIT	•	•	•
56507033	1	RAISED INTAKE FILTER NO OHG	•	•	•
56507039	1	AMBER STROBE FOR OHG	•	•	•
33020002	1	SOFT CABIN KIT	•	•	•
56507916	1	STRAINER CHECK VALVE 5 PSI	•	•	•
56508709	1	NOZZLE SPRAY .10	•	•	•
56507908	1	CAP NOZZLE	•	•	•
33021392	1	HOPPER PROTECTION KIT	•	•	•
33021975	1	GAS SPRING KIT	•	•	•

9435 Winnetka Avenue North  
Brooklyn Park, MN 55445  
[www.advance-us.com](http://www.advance-us.com)  
Phone: 800-989-2235  
Fax: 800-989-6566  
©2018 Nilfisk, Inc.

