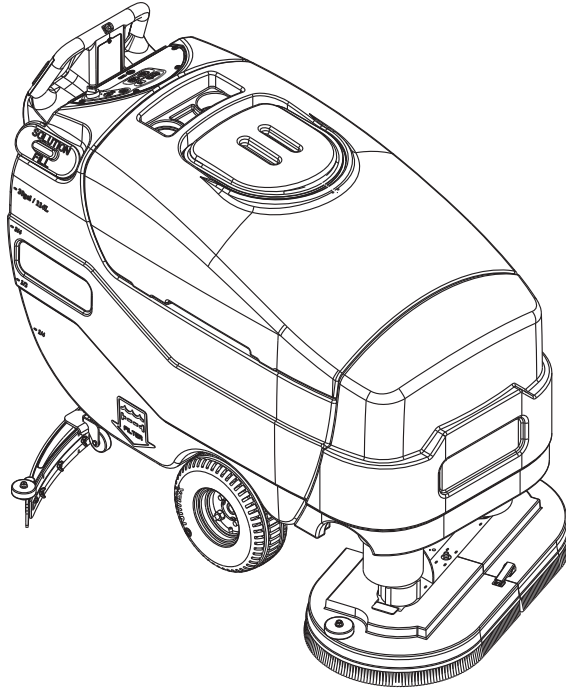

Clarke[®]

FOCUS[®] II LARGE

AUTOSCRUBBER[®]



Parts List

Models: 56381796, 56381825, 56381828

TABLE OF CONTENTS

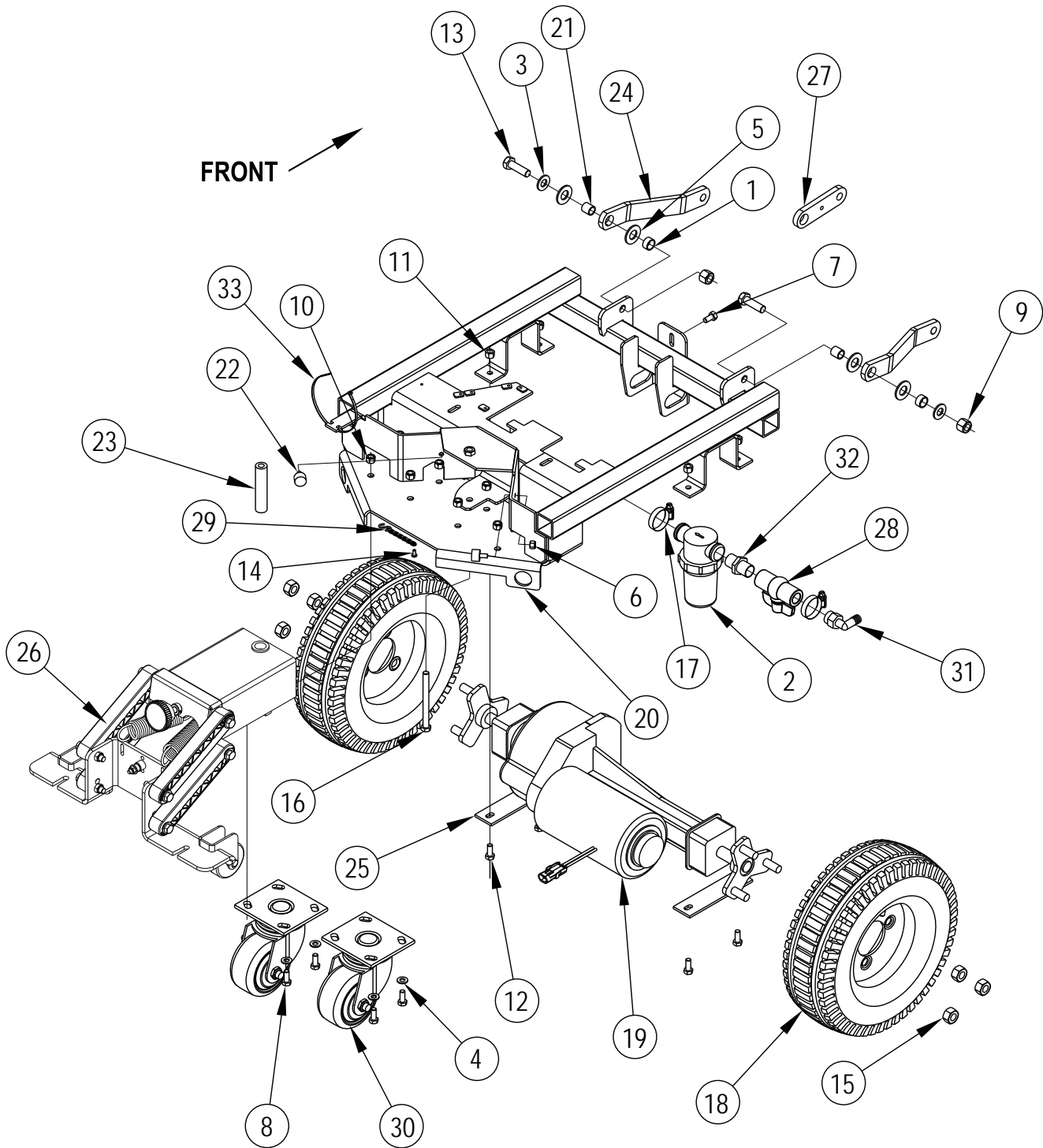
<u>DESCRIPTION</u>	<u>PAGE</u>
Chassis System.....	2-3
Chassis System - Squeegee Linkage Assy	4-5
Decal System.....	6-7
Recovery System.....	8-9
Scrub System	10-11
Solution - Electrical System-1	12-13
Solution - Electrical System-2.....	14-15
Handle Assembly	16-17
Squeegee Assembly	18-19
Ladder Diagram.....	20-21
Optional Kits & Accessories.....	22
Brush Selector Guide-Disk	23
Squeegee Blade Selector Guide	24

WHEN ORDERING PARTS

- * Use the part numbers from the "Ref. No." columns in this parts list.
- * Specify the model and serial number of the machine.
- * Use the space below to record the model and serial number for future reference.

Model _____ Serial No. _____

CHASSIS SYSTEM

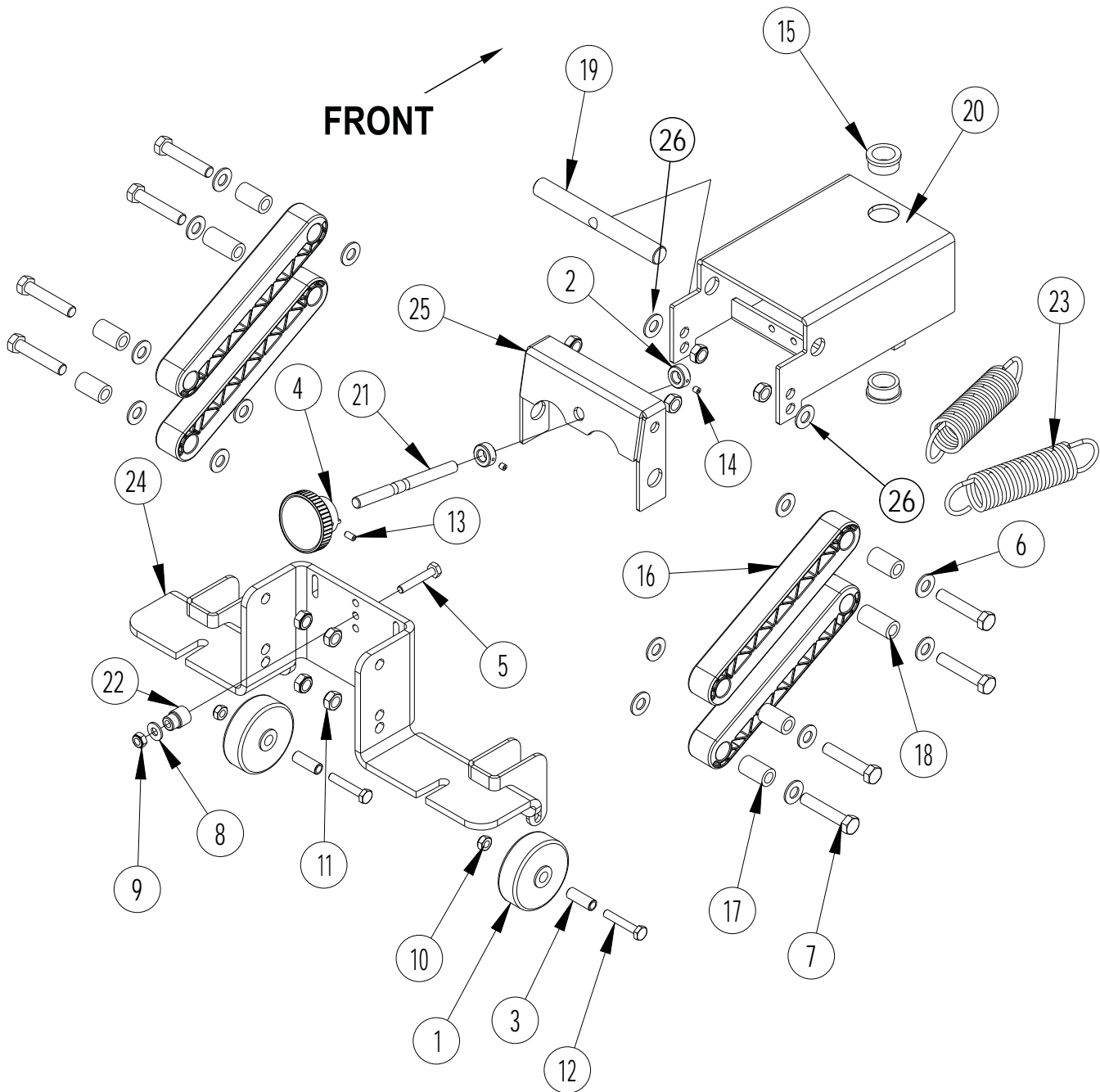


CHASSIS SYSTEM

<u>Item</u>	<u>Ref. No.</u>	<u>Qty</u>	<u>Description</u>
1	56370878	2	Bearing, Sleeve
2	56412173	1	Solution Filter
3	56001879	2	Wsh, Flt SAE 1/2
4	56001939	10	Wsh, Flt SAE 5/16
5	56002022	4	Wsh, Flt SAE 5/8
6	56002708	2	Nut, Hex Nyl Loc 1/4-20
7	56003012	3	Scr, Hex SS 5/16-18 X .75
8	56003179	8	Scr, Hex Thd To Hd M8-1.25 X 20mm
9	56003312	2	Nut, Hex Nyl Loc M12-1.75
10	56003389	8	Nut, Hex Nyl Loc M8-1.25
11	56003405	4	Nut, Hex Nyl Loc SS M8-1.25
12	56003435	4	Scr, Hex SS M8-1.25 X 20mm
13	56003637	2	Scr, Hex M12-1.75 X 40mm
14	56009030	1	Scr, Pan Phil Thd Form 10-24 X .38
15	56009116	6	Nut, Hex Hvy 1/2-20
16	56009241	1	Scr, Hex 3/8-16 X 4.25
17	56131601	2	Clamp, Hose SAE #16
18	56315118	2	Wheel, Drive
	9096219000	2	Wheel, Polyurethane-Traction (optional)
19	56382500	1	Transaxle, 36v (M1)
[]	56315676	1	Motor
[]	56315677	4	Carbon Brush
[]	56315678	2	Neoprene Mounting Sleeve
[]	56380511	A/R	Kit-Hub Transaxle 36V
[]	56380164	1	Kit-Coupling
[]	56381779	1	Transaxle Service Kit
20	56315073	1	Weldment, Chassis
21	56315080	2	Bushing
22	56315111	2	Cylindrical Mount
23	56315154	1	Bushing, Spacer
24	56315918	2	Linkage Arm
25	56315202	2	Plate, Transaxle Mount
26	56315210	1	Assembly, Squeegee Linkage Large
27	56315239	1	Linkage Arm,
28	56315607	1	Ball Valve
29	56315691	1	Ground Chain
30	56365555	2	Caster Swivel 4.0x2.0
31	56409152	1	Barb, 90 Elbow 1/2 X 1/2npt
32	56412182	1	Nipple, Hex 3/4-14
33	56478523	1	Tie, Cable

[] = Not Shown

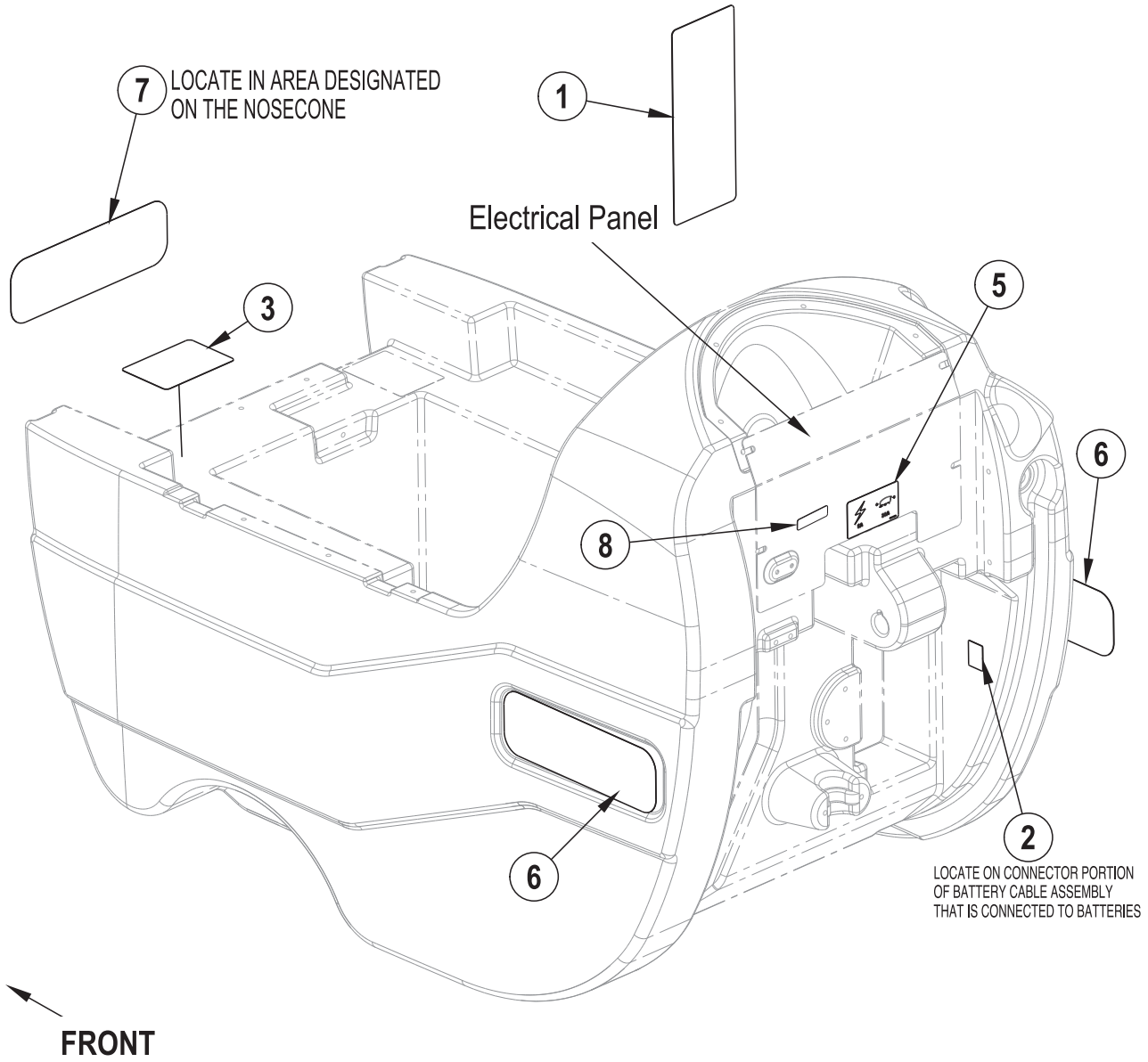
CHASSIS SYSTEM - SQUEEGEE LINKAGE ASSY



CHASSIS SYSTEM - SQUEEGEE LINKAGE ASSY

<u>Item</u>	<u>Ref. No.</u>	<u>Qty</u>	<u>Description</u>
	56315210	1	Squeegee Linkage Assembly
1	56324350	2	Wheel
2	56331076	2	Collar
3	56315580	2	Bushing
4	56475480	1	Knob
5	56001833	1	Scr, Hex 1/4-20 X 1.50
6	56002063	14	Wsh, Flt SAE 3/8
7	56002091	8	Scr, Hex 3/8-16 X 2.00
8	56002098	1	Wsh, Flt SAE 1/4
9	56002840	1	Nut, Hex Nyl Loc-Thin 1/4-20
10	56002850	2	Nut, Hex Nyl Loc-Thin SS 1/4-20
11	56003219	8	Nut, Hex Nyl Loc-Thin 3/8-16
12	56002880	2	Scr, Hex SS 1/4-20 X 1.75
13	56003123	1	Scr, Soc Set 10-2 4x .38
14	56009084	2	Scr, Soc Set Loc 10-24 X .19
15	56250414	2	Bearing, Flange
16	56315941	4	Linkage Arm, Molded
17	56315067	6	Spacer, Phenolic
18	56315068	2	Spacer, Phenolic
19	56315082	1	Pin
20	56315208	1	Weldment, Squeegee Large
21	56315240	1	Rod, Adjustment
22	56315245	1	Bushing, Squeegee Cable
23	56315295	2	Spring, Extension
24	56315698	1	Weldment, Squeegee Mount
25	56315713	1	Bracket, Squeegee Level
26	56002940	2	Wsh, Flt SAE SS 5/8

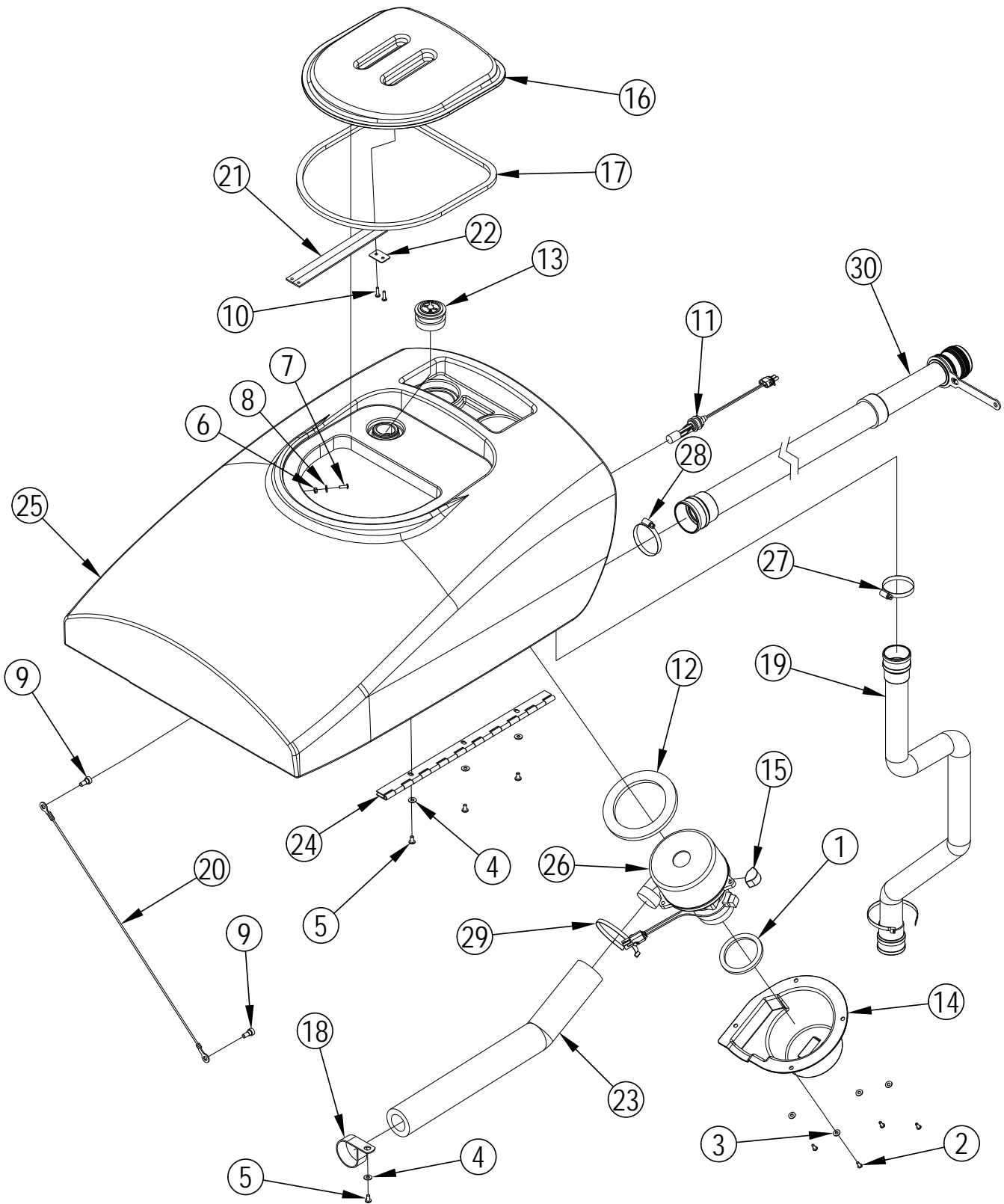
DECAL SYSTEM



DECAL SYSTEM

<u>Item</u>	<u>Ref. No.</u>	<u>Qty</u>	<u>Description</u>
1	56014601	1	Decal, Caution
2	56016324	1	Decal, Charger
3	56015259	1	Decal, Battery Wiring
5	56016690	1	Decal, Circuit Breaker
6	56381821	2	Decal-Focus II
7	56381819	1	Decal-Clarke
8	56014450	1	Decal, Patent Number

RECOVERY SYSTEM



RECOVERY SYSTEM

<u>Item</u>	<u>Ref. No.</u>	<u>Qty</u>	<u>Description</u>
1	56412154	1	Gasket, Vacuum Duct
2	56001993	4	Scr-Pan Phil 10-24 X .50
3	56002053	4	Wsh, Flt Std #10
4	56002098	4	Wsh, Flt Sae 1/4
5	56002145	4	Scr-Pan Phil 1/4-20 X .50
6	56002849	2	Nut, Hex Nyl Loc-Thin Ss 10-24
7	56002894	2	Scr Pan Phil SS 10-24 X .75
8	56002919	2	Wsh, Flt Std Ss #10
9	56003730	2	Scr Soc Hd.38X.25 5/16-18
10	56003711	2	Scr Pan Ss Plastite 10-14 X.62
11	56315096	1	Switch, Electromagnetic
12	56315098	1	Gasket
13	56315099	1	Screen, Fan Inlet
14	56315102	1	Shroud, Vac Motor
15	56315141	3	Mount, Vibration
16	56315176	1	Cover, Recovery Tank
17	56315220	1	Gasket, Recovery Lid
18	56315257	1	Clamp, P
19	56315268	1	Vac Hose Assy.
20	56315272	1	Cable Assy
21	56315303	2	Retaining, Strap
22	56315346	1	Plate
23	56315375	1	Foam, Accoustical
24	56315694	1	Hinge
25	56381799	1	Tank, Recovery, Scrubtec
26	56391208	1	Vac Motor Ass'y
[]#	56377001	1	Carbon Brush Set of 2 NOTE 1
[]#	56212223	1	Carbon Brush Set of 2 NOTE 2
27	56440213	1	Clamp- Hose Sae #32
28	56456797	1	Clamp- Hose Sae #36
29	56477613	2	Tie, Cable
30	56601405	1	Drain Hose

[] = Not Shown

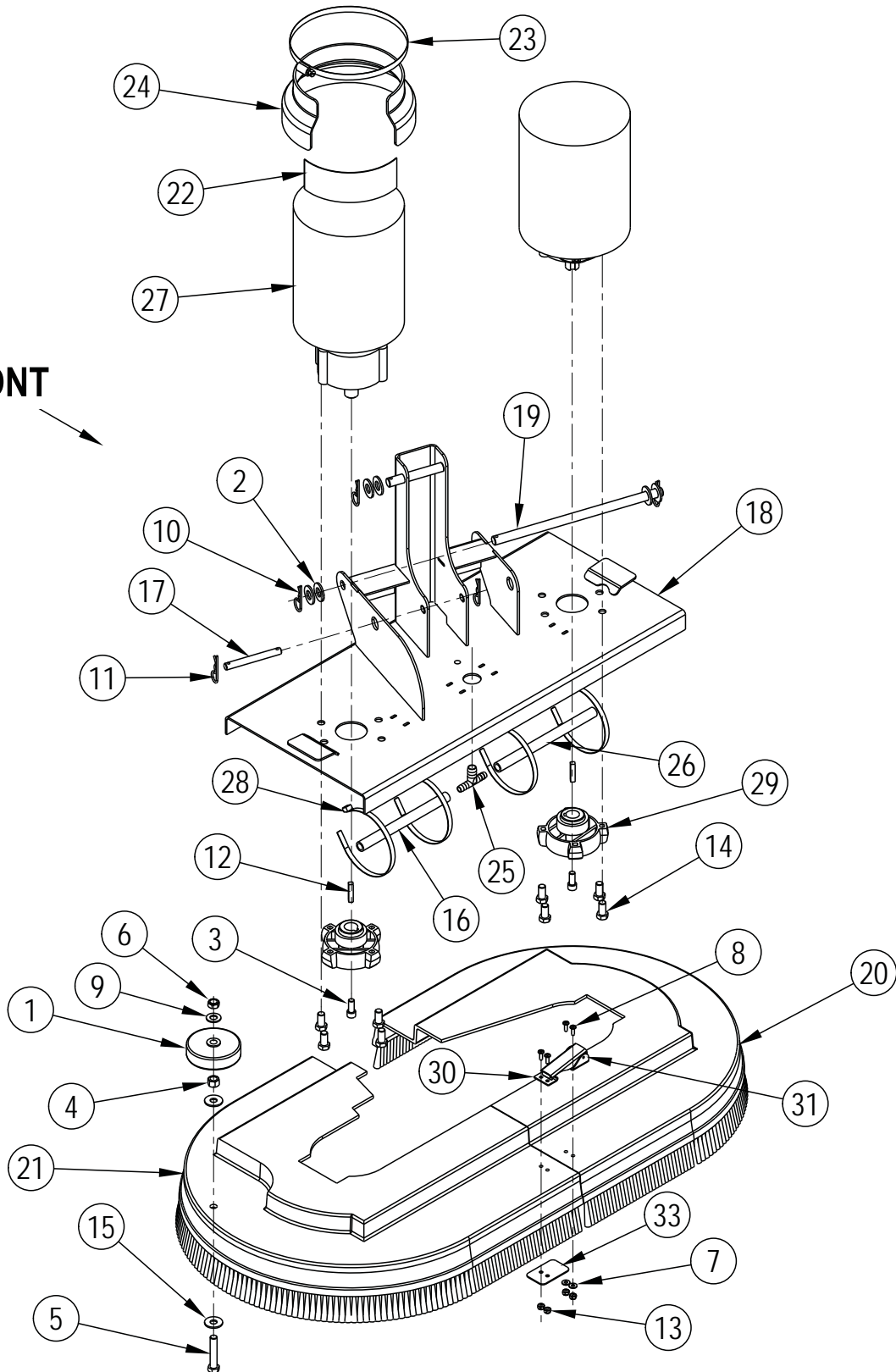
= Revised or new since last update

NOTE 1:# For machines built before June 2011 with Vac Motor 56377470 – use Carbon Brushes 56377001.

NOTE 2:# For machines built after June 2011 with Vac Motor 56109731 – use Carbon Brushes 56212223.

SCRUB SYSTEM

FRONT



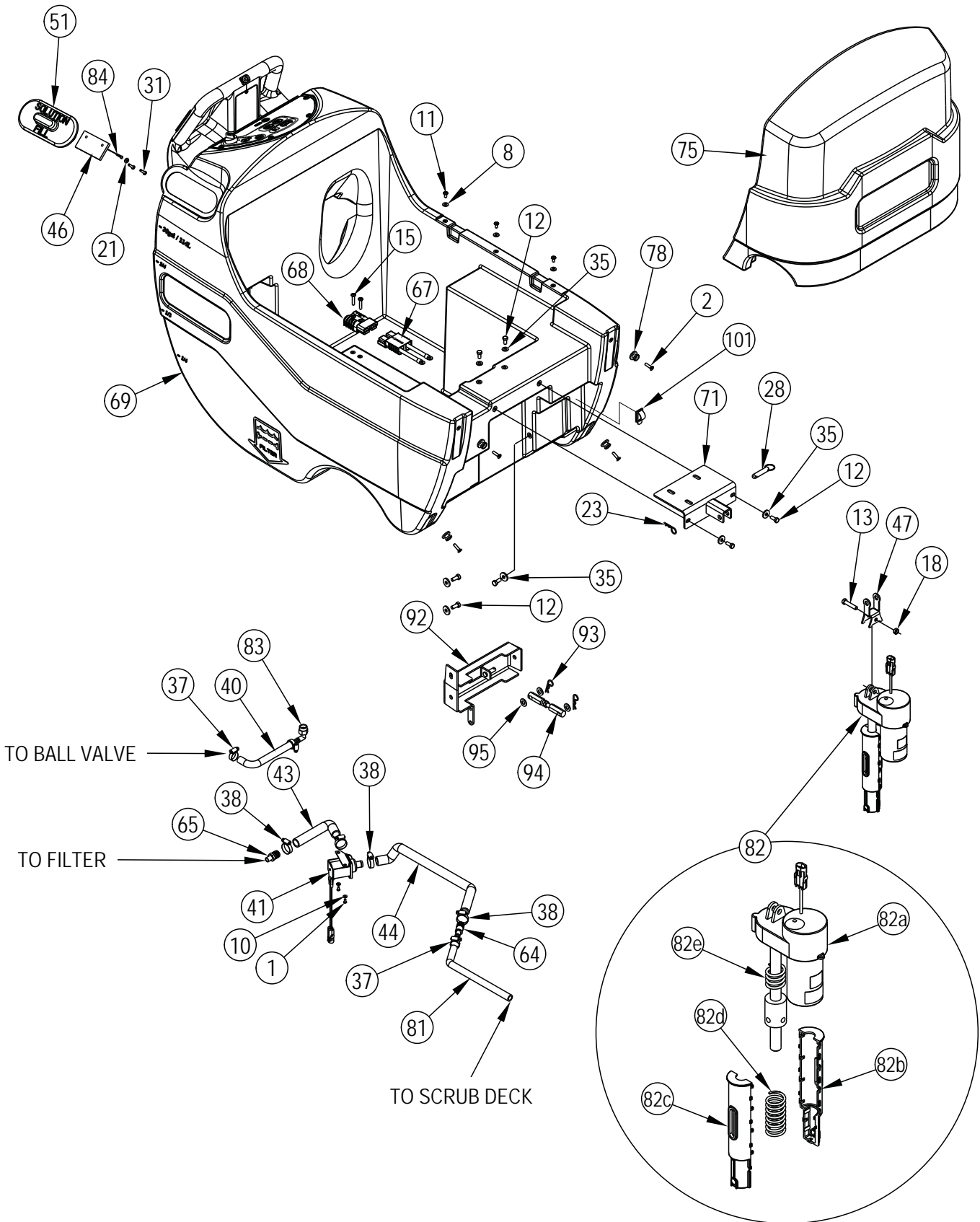
SCRUB SYSTEM

<u>Item</u>	<u>Ref. No.</u>	<u>Qty</u>	<u>Description</u>
1	56324499	1	Wheel 3.00
2	56001879	6	Wsh, Flt Sae 1/2
3	56001959	2	Scr, Soc Hd 5/16-18 X 0.75
4	56002123	1	Nut, Hex Machine 3/8-16
5	56002470	1	Scr, Hex Thd To Hd 3/8-16 X 2.00
6	56002841	1	Nut, Hex Nyl Loc-Thin 3/8-16
7	56002875	2	Wsh, Flt Sae Ss #8
8	56002876	4	Scr, Pan Phil Ss 8-32 X .50
9	56002910	1	Wsh, Flt Sae Ss 3/8
10	56002959	3	Pin, Cotter Hair
11	56003120	2	Pin, Cotter Hair .0915 X .375
12	56003245	2	Key, Sq .25 X 1.19
13	56003309	4	Nut, Hex Nyl Loc-Thin Ss 8-32
14	56003338	8	Scr, Hex Loc Ss 3/8-16 X .75
15	56009213	2	Wsh, Flt .392x1.00x.075
16	56315060	1	Hose, Pvc .38id X 6.75
17	56315161	1	Pin
18	56315910	1	Deck Weldment
19	56315915	1	Pin, Linkage Pivot
20	56315950	1	Brush Housing Lh
	56315955	1	Brush Housing Assy – Left (Items 7, 8, 13, 20, 31)
21	56315951	1	Brush Housing Rh
	56315956	1	Brush Housing Assy – Right (Items 1, 4, 5, 6, 8, 9, 13, 15, 21, 30, 33)
22	56315952	1	Decal, Cover
23	56355488	1	Clamp, Hose Sae #96
24	56397112	1	Shroud, Motor
25	56397300	1	Tee, Barb
26	56397301	1	Hose, Pvc .38id X 7.50
27	56397316	2	Motor / Gear Unit Assembly 36v (M2 / M3)
[]	56397139	4	Carbon Brush NOTE 1
[]	56397138	4	Brush Spring NOTE 1
[]	56380637	1	Brush Board Assy NOTE 1
28	56477613	4	Tie, Cable
29	56382665	2	Gimbal-Collar Assembly
30	55451A	1	Keeper, Latch
31	55721A	1	Draw Latch
33	69186A	1	Tab, Latch, Brush
Optional Brushes			
[]	56315942	2	Pad Holder-17 Gimbal
[]	10384A	2	Brush, Light Grit
[]	11430B	2	Brush, Medium Grit
[]	11425B	2	Brush, Heavy Grit
[]	11424B	2	Brush, Polypropylene
[]	10875A	2	Brush, Nylon

[] = Not Shown

NOTE 1: If your Motor / Gear Unit Assembly has a serial tag from Imperial Electric order (4) Carbon Brushes 56397139 or (4) Brush Springs 56397138. If your Motor / Gear Unit Assembly has a serial tag from Nilfisk-Advance order Brush Board Assy 56380637.

SOLUTION - ELECTRICAL SYSTEM-1



SOLUTION - ELECTRICAL SYSTEM-1

Item	Ref. No.	Qty	Description	Item	Ref. No.	Qty	Description
1	56001818	2	Scr, Pan Phil 8-32 X .38	66	56315683	1	Barb, 90 Elbow 3/4 X 3/8npt
2	56001832	4	Scr, Flt Phil 1/4-20 X 1.00	67	56315686	1	Charge Connector Assy
4	56001939	4	Wsh, Flt Sae 5/16	68	56315687	1	Charge Connector Assy
5	56001954	2	Wsh, Flt Sae #10	69	56315733	1	Tank, Solution
6	56001993	2	Scr, Pan Phil 10-24 X .50	71	56315744	1	Weldment, Actuator Mount
7	56002066	8	Scr, Pan Phil 1/4-20 X .62 NOTE 3	72	56315924	1	Control Panel Assy
8	56002098	6	Wsh, Flt Sae 1/4	73	56315930	1	Handle Assembly
9	56002124	8	Scr, Pan Phil 10-24 X .62	74	56315947	1	Assembly, Electrical Box (74a-74m)
10	56002140	2	Wsh, Flt Sae #8	74a	56002462	7	Scr, Pan Phil 1/4-20 X .38
11	56002145	5	Scr, Pan Phil 1/4-20 X .50	74b	56002561	4	Nut, Hex W/ Shprf 1/4-20
12	56002667	7	Scr, Hex 5/16-18 X .75	74c	56003698	2	Scr, Pan Phil Thd Form 8-32 X .75
13	56002684	1	Scr, Hex 3/8-16 X 1.75	74d	56009030	2	Scr, Pan Phil Thd Form 10-24 X .38
14	56002708	4	Nut, Hex Nyl Loc 1/4-20 NOTE 3	74e	56009203	3	Stud, 1/4-20
15	56002825	2	Scr, Pan Phil 1/4-20 X 1.25 NOTE 3	74f	56315182	1	Panel, Electrical
18	56002841	1	Nut, Hex Nyl Loc-Thin 3/8-16	74g	56315925	1	Controller, Speed (A2)
19	56002849	1	Nut, Hex Nyl Loc-Thin Ss 10-24	74h	56395453	1	Contacto 36v, 200 Amp (K1 / Brush Motor)
20	56002896	1	Scr, Pan Phil Ss 10-24 X .62	74i	56395455	1	Contacto 36v, 100 Amp (K2 / Vac Motor)
21	56002916	2	Wsh, Flt Sae Ss #10	74j	2-00-04203	4	Insulator, Terminal
22	56002919	1	Wsh, Flt Std Ss #10	74k	56380544	1	Clamp, .875 P
23	56002959	1	Pin, Cotter Hair	74l	56412089	1	Fuse, 150 Amp (F1)
25	56003005	4	Scr, Hex 5/16-18 X 1.75	74m	56469858	3	Standoff, Insulated
26	56003266	1	Ring, Ret Ext Type E 0.75 Dia	75	56315949	1	Nose Cone, One Piece
28	56003679	1	Pin, Ring .50 X 1.63	76	56331154	1	Clamp, Plastic
31	56009006	2	Scr, Pan Phil SS Type Ab 10-16 X 1.00	78	56365777	4	Lug, Brush Driver
32	56009030	3	Scr, Pan Phil Thd Form 10-24 X .38 NOTE 3	80	56379139	1	Hose, Pvc
33	56009039	2	Scr, Hex Thd Form 10-24 X .50	81	56387302	1	Hose, Solution
35	56009122	7	Wsh, Flt .344 X .938 X .125	82	56109595	1	Lift Actuator Assembly (82a-82e)
36	56009206	4	Scr, Truss Phil-Blk 10-24x.50	82a	56109597	1	Actuator
37	56219932	3	Clamp, Hose Sae #6	[]	56109596	1	Plastic Nut
38	56244969	5	Clamp, Hose Sae #12	[]	56109636	1	Spring Housing Kit
39	56249884	1	Plate	82b	56109547	1	Spring Housing Bottom
40	56262561	1	Hose, Spiral .500	82c	56109546	1	Spring Housing Top
41#	56303275	1	Solenoid Valve Assy (L1) TSB-FC-2015-023	82d	56420018	1	Compression Spring
42	56303553	1	Key Switch Assembly (S3)	82e	56412071	1	Compression Spring
[]	56303526	A/R	Set of 2 Keys (for 56303553)	83	56409152	1	Barb, 90 Elbow 1/2 X 1/2npt
43	56305318	1	Hose, Spiral .750 X 10.5"	84	56410254	1	Wire Rope, 6 Inch
44	56305591	1	Hose, Spiral .750 X 25"	87	56486112	2	Clamp, P
45	56315121	1	Guide, Cable	88	56398000	1	Connector Assy (to batteries) NOTE 2
46	56315166	1	Plate	89	56315687	1	Connector Assy (to electrical box) NOTE 2
47	56315191	1	Yoke, Actuator	90	56002825	2	Scr, Pan Phil 1/4-20 x 1.25 NOTE 2
49	56315774	1	Charger, On-Board 36v NOTE 1 / NOTE 3	91	56396199	1	Clamp, Plastic
[]	56315747	1	Thermistor Repair Kit (for 56315774)	92	56109524	1	Pivot Weldt.
50	56315206	1	Bracket, Charger NOTE 3	93	56003120	2	Pin, Cotter Hair .0915 x .375
51	56315219	1	Cover, Solution Fill	94	56315836	1	Turnbuckle
52	56109502	1	Panel, Electrical	95	56002063	3	Wsh, Flt SAE 3/8
53	56315236	1	Weldment, Squeegee Lift	96	56315730	1	Lever, Squeegee Lift
54	56315243	1	Cable Assy	97	56009117	1	Wsh, Flt 1.03 x 1.85 x .48
56	56315255	1	Circuit Breaker, 5 Amp (F2)	98	56003223	1	Pin, Cot Hair
57	56315256	1	Circuit Breaker, 30 Amp (F3)	99	56001854	1	Scr, Hex 1/4-20 x .50
58	56109553	1	Plate, Circuit Breaker	100	56002053	6	Wsh, Flt STD #10
59	56383385	1	Cord Charger Yellow US NOTE 3	101	7-13-07096	1	Clamp-Adjustable
	40838A	1	Charger Cord NOTE 4	[]	56325219	1	Tie, Cable
61	56315382	1	Clip, Conduit				
64	56315625	1	Barb, Coupler 1/2 X 3/4				
65	56315634	2	Barb, Adaptor 3/4 X 1/2 Npt				

[] = Not Shown

= Revised or new since last update

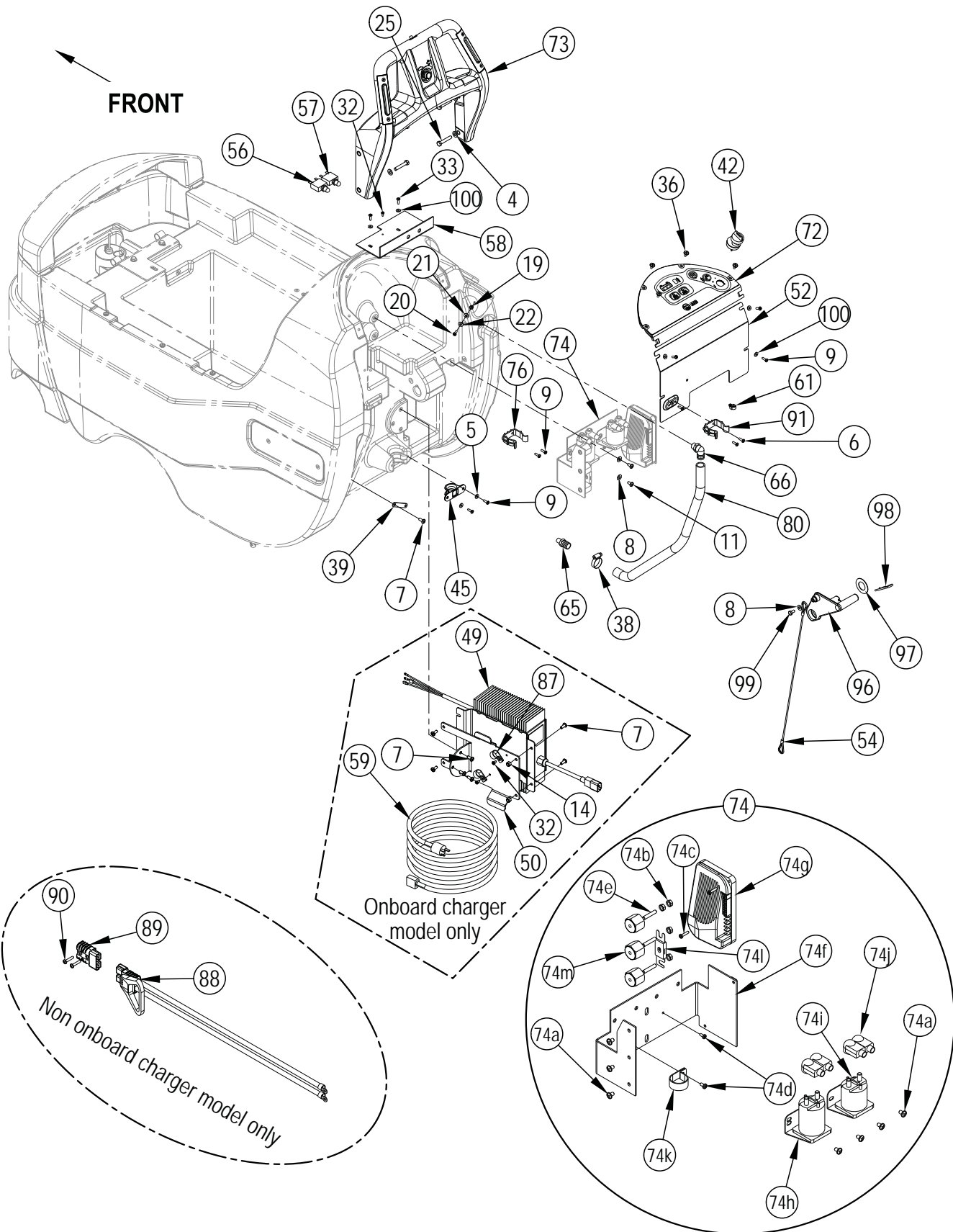
NOTE 1: The charger software can be programmed with a computer and the QuiQ Programmer kit 56315732.

NOTE 2: These items are only used on model 56381825.

NOTE 3: These items are only used on models 56381796 & 56381828.

NOTE 4: These items are only used on model 56381796.

SOLUTION - ELECTRICAL SYSTEM-2



SOLUTION - ELECTRICAL SYSTEM-2

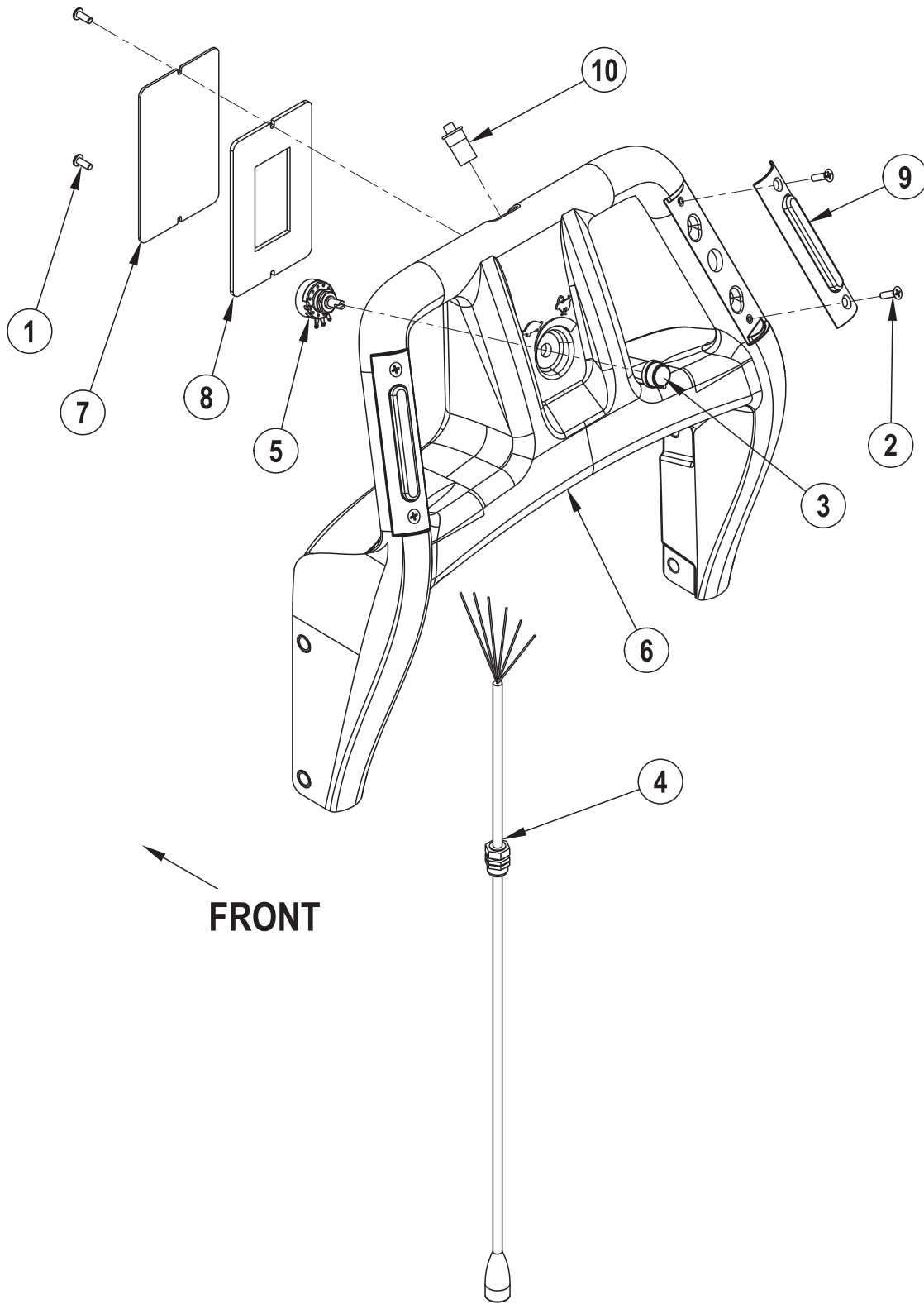
Item	Ref. No.	Qty	Description	Item	Ref. No.	Qty	Description
1	56001818	2	Scr, Pan Phil 8-32 X .38	66	56315683	1	Barb, 90 Elbow 3/4 X 3/8npt
2	56001832	4	Scr, Flt Phil 1/4-20 X 1.00	67	56315686	1	Charge Connector Assy
4	56001939	4	Wsh, Flt Sae 5/16	68	56315687	1	Charge Connector Assy
5	56001954	2	Wsh, Flt Sae #10	69	56315733	1	Tank, Solution
6	56001993	2	Scr, Pan Phil 10-24 X .50	71	56315744	1	Weldment, Actuator Mount
7	56002066	8	Scr, Pan Phil 1/4-20 X .62 NOTE 3	72	56315924	1	Control Panel Assy
8	56002098	6	Wsh, Flt Sae 1/4	73	56315930	1	Handle Assembly
9	56002124	8	Scr, Pan Phil 10-24 X .62	74	56315947	1	Assembly, Electrical Box (74a-74m)
10	56002140	2	Wsh, Flt Sae #8	74a	56002462	7	Scr, Pan Phil 1/4-20 X .38
11	56002145	5	Scr, Pan Phil 1/4-20 X .50	74b	56002561	4	Nut, Hex W/ Shprf 1/4-20
12	56002667	7	Scr, Hex 5/16-18 X .75	74c	56003698	2	Scr, Pan Phil Thd Form 8-32 X .75
13	56002684	1	Scr, Hex 3/8-16 X 1.75	74d	56009030	2	Scr, Pan Phil Thd Form 10-24 X .38
14	56002708	4	Nut, Hex Nyl Loc 1/4-20 NOTE 3	74e	56009203	3	Stud, 1/4-20
15	56002825	2	Scr, Pan Phil 1/4-20 X 1.25 NOTE 3	74f	56315182	1	Panel, Electrical
18	56002841	1	Nut, Hex Nyl Loc-Thin 3/8-16	74g	56315925	1	Controller, Speed (A2)
19	56002849	1	Nut, Hex Nyl Loc-Thin Ss 10-24	74h	56395453	1	Contacto 36v, 200 Amp (K1 / Brush Motor)
20	56002896	1	Scr, Pan Phil Ss 10-24 X .62	74i	56395455	1	Contacto 36v, 100 Amp (K2 / Vac Motor)
21	56002916	2	Wsh, Flt Sae Ss #10	74j	2-00-04203	4	Insulator, Terminal
22	56002919	1	Wsh, Flt Std Ss #10	74k	56380544	1	Clamp, .875 P
23	56002959	1	Pin, Cotter Hair	74l	56412089	1	Fuse, 150 Amp (F1)
25	56003005	4	Scr, Hex 5/16-18 X 1.75	74m	56469858	3	Standoff, Insulated
26	56003266	1	Ring, Ret Ext Type E 0.75 Dia	75	56315949	1	Nose Cone, One Piece
28	56003679	1	Pin, Ring .50 X 1.63	76	56331154	1	Clamp, Plastic
31	56009006	2	Scr, Pan Phil SS Type Ab 10-16 X 1.00	78	56365777	4	Lug, Brush Driver
32	56009030	3	Scr, Pan Phil Thd Form 10-24 X .38 NOTE 3	80	56379139	1	Hose, Pvc
33	56009039	2	Scr, Hex Thd Form 10-24 X .50	81	56387302	1	Hose, Solution
35	56009122	7	Wsh, Flt .344 X .938 X .125	82	56109595	1	Lift Actuator Assembly (82a-82e)
36	56009206	4	Scr, Truss Phil-Blk 10-24x.50	82a	56109597	1	Actuator
37	56219932	3	Clamp, Hose Sae #6	[]	56109596	1	Plastic Nut
38	56244969	5	Clamp, Hose Sae #12	[]	56109636	1	Spring Housing Kit
39	56249884	1	Plate	82b	56109547	1	Spring Housing Bottom
40	56262561	1	Hose, Spiral .500	82c	56109546	1	Spring Housing Top
41#	56303275	1	Solenoid Valve Assy (L1) TSB-FC-2015-023	82d	56420018	1	Compression Spring
42	56303553	1	Key Switch Assembly (S3)	82e	56412071	1	Compression Spring
[]	56303526	A/R	Set of 2 Keys (for 56303553)	83	56409152	1	Barb, 90 Elbow 1/2 X 1/2npt
43	56305318	1	Hose, Spiral .750 X 10.5"	84	56410254	1	Wire Rope, 6 Inch
44	56305591	1	Hose, Spiral .750 X 25"	87	56486112	2	Clamp,P
45	56315121	1	Guide, Cable	88	56398000	1	Connector Assy (to batteries) NOTE 2
46	56315166	1	Plate	89	56315687	1	Connector Assy (to electrical box) NOTE 2
47	56315191	1	Yoke, Actuator	90	56002825	2	Scr, Pan Phil 1/4-20 x 1.25 NOTE 2
49	56315774	1	Charger, On-Board 36v NOTE 1 / NOTE 3	91	56396199	1	Clamp, Plastic
[]	56315747	1	Thermistor Repair Kit (for 56315774)	92	56109524	1	Pivot Weldt,
50	56315206	1	Bracket, Charger NOTE 3	93	56003120	2	Pin, Cotter Hair .0915 x .375
51	56315219	1	Cover, Solution Fill	94	56315836	1	Turnbuckle
52	56109502	1	Panel, Electrical	95	56002063	3	Wsh, Flt SAE 3/8
53	56315236	1	Weldment, Squeegee Lift	96	56315730	1	Lever, Squeegee Lift
54	56315243	1	Cable Assy	97	56009117	1	Wsh, Flt 1.03 x 1.85 x .48
56	56315255	1	Circuit Breaker, 5 Amp (F2)	98	56003223	1	Pin, Cot Hair
57	56315256	1	Circuit Breaker, 30 Amp (F3)	99	56001854	1	Scr, Hex 1/4-20 x .50
58	56109553	1	Plate, Circuit Breaker	100	56002053	6	Wsh, Flt STD #10
59	56383385	1	Cord Charger Yellow US NOTE 3	101	7-13-07096	1	Clamp-Adjustable
	40838A	1	Charger Cord NOTE 4	[]	56325219	1	Tie, Cable
61	56315382	1	Clip, Conduit				
64	56315625	1	Barb, Coupler 1/2 X 3/4				
65	56315634	2	Barb, Adaptor 3/4 X 1/2 Npt				

[] = Not Shown

= Revised or new since last update

NOTE 1: The charger software can be programmed with a computer and the QuiQ Programmer kit 56315732.**NOTE 2:** These items are only used on model 56381825.**NOTE 3:** These items are only used on models 56381796 & 56381828.**NOTE 4:** These items are only used on model 56381796.

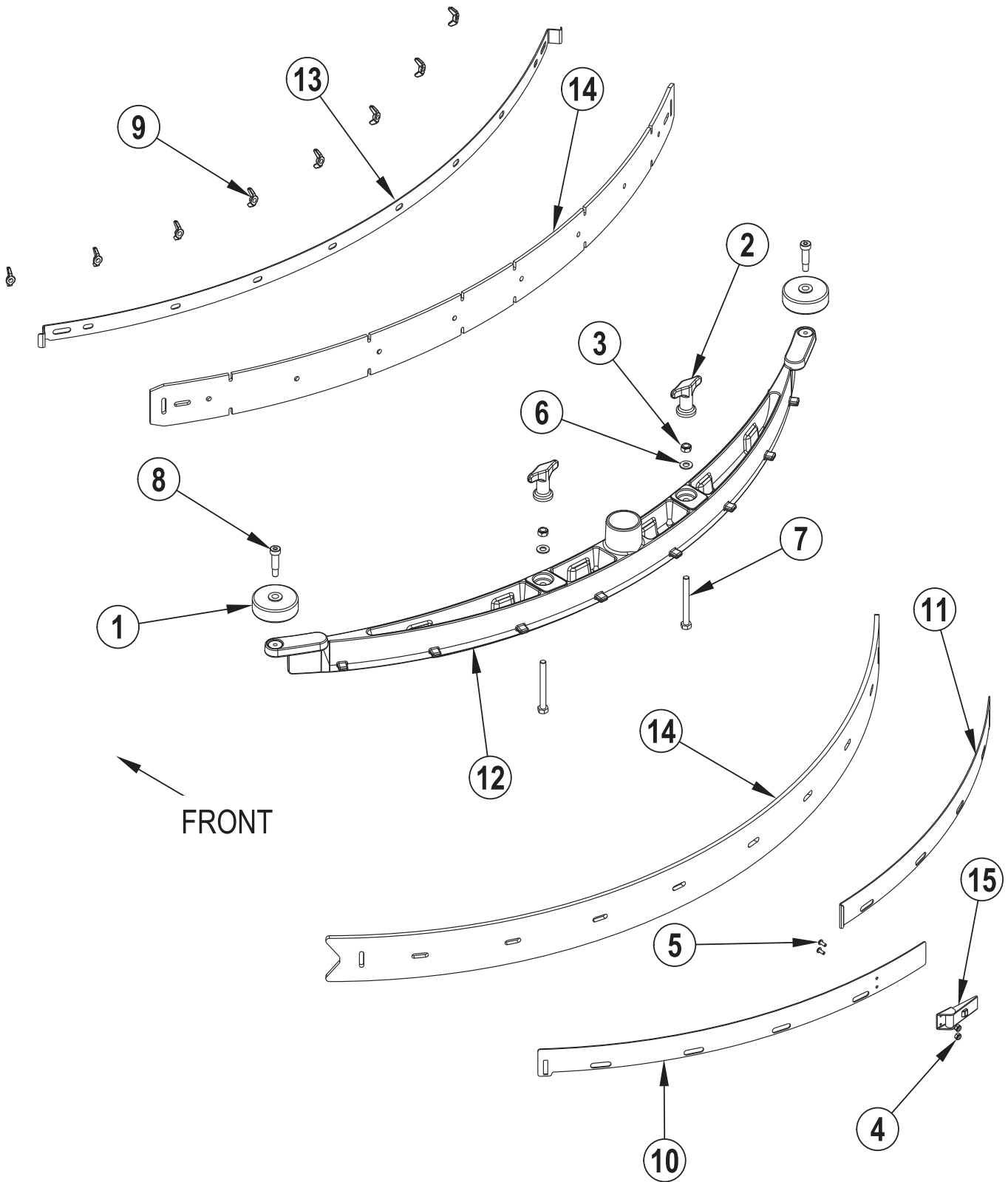
HANDLE ASSY



HANDLE ASSY

<u>Item</u>	<u>Ref. No.</u>	<u>Qty</u>	<u>Description</u>
	56315930	1	Handle Assembly
1	56002043	2	Scr, Pan Phil 10-24 X .38
2	56002178	4	Scr, Flt Phil 10-24 X .50
3	56315280	1	Knob
4	56315928	1	Harness, Handle
5	56315929	1	Potentiometer, 100k (R1)
6	56315931	1	Handle, Rotomold
7	56315932	1	Access Plate
8	56315933	1	Gasket, Access Panel
9	56315935	2	Palm Switch Assembly (S6 / S7)
10	56315945	1	Switch, Spst Mom. (S5)

SQUEEGEE ASSY



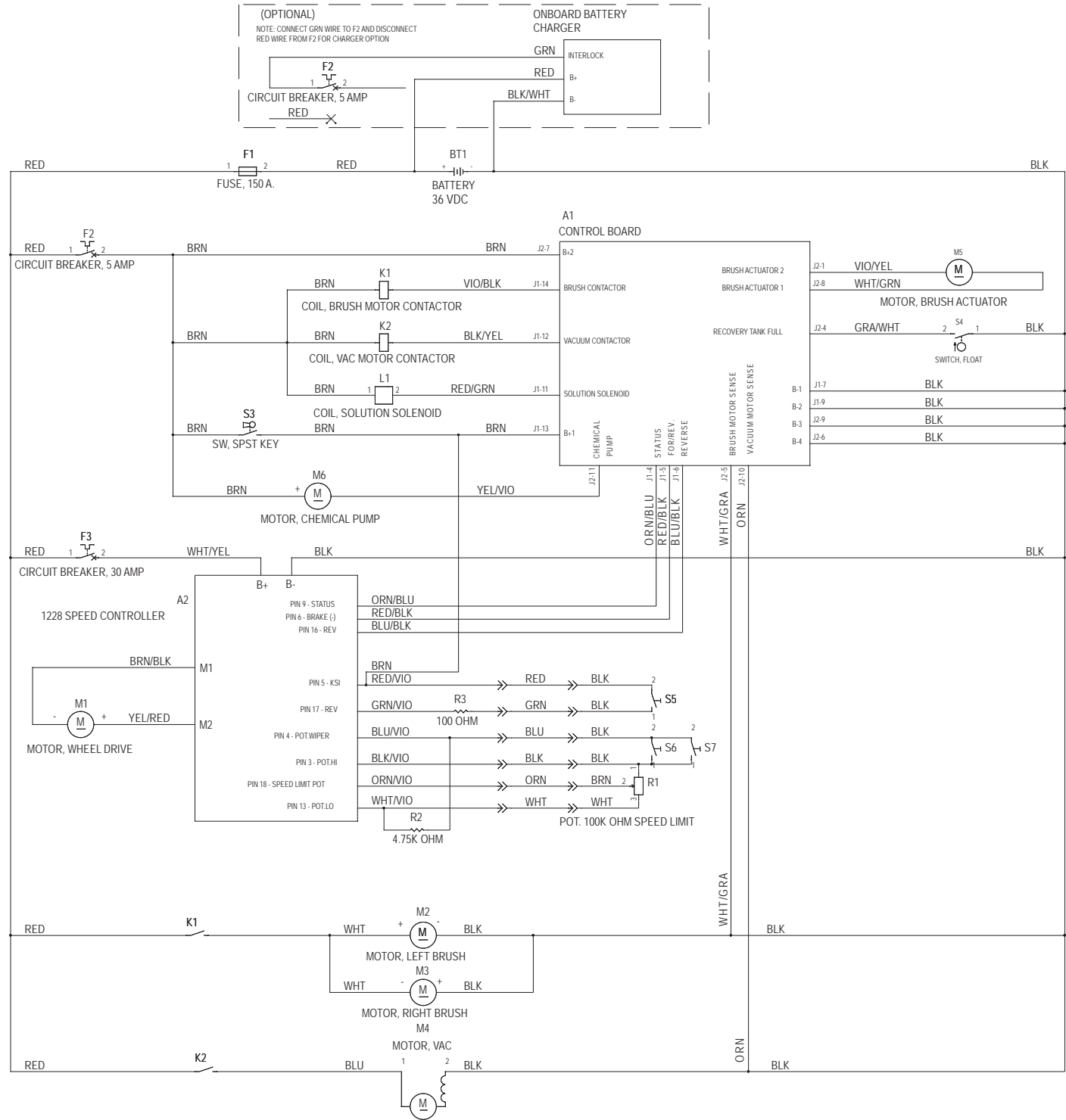
SQUEEGEE ASSY

<u>Item</u>	<u>Ref. No.</u>	<u>Qty</u>	<u>Description</u>
	56315632	1	Squeegee Assembly "D"
1	56324350	2	Wheel
2	56370711	2	Nut, Thumb
3	56002851	2	Nut, Hex Nyl Loc-Thin Ss 5/16-18
4	56002907	2	Nut, Hex Nyl Loc SS 6-32
5	56002909	2	Scr, Pan Phil SS 6-32 X .38
6	56002938	2	Wsh, Flt Sae SS 5/16
7	56003736	2	Scr, Hex Thd to Hd SS 5/16-18 X 3.00
8	56003472	2	Scr, Soc Shd .38 X 1.00 X 5/16-18
9	56009111	8	Nut, Wing SS 1/4-20
10	56109667	1	Strap, Left Rear "D"
11	56109668	1	Strap, Right Rear "D"
12	56314694	1	Squeegee Tool, Cast "D"
13	56314696	1	Strap, Front "D"
14	56315674	1	Kit, Gum Rubber Squeegee Blade "D"
15	56471194	1	Latch Assembly
Squeegee Blade Kits			
	56315674	1	Kit, Gum Rubber Squeegee Blade "D" NOTE 1
*	56314865	1	Kit, Red Gum Rubber Squeegee Blade "D" NOTE 1
*	56315856	1	Kit, PU Squeegee Blade "D" NOTE 1

* = Optional, Not Included

NOTE 1: All squeegee blade kits include both front and rear squeegee blades.

LADDER DIAGRAM



LADDER DIAGRAM

<u>Item</u>	<u>Ref. No.</u>	<u>Qty</u>	<u>Description</u>
A1	56315924	1	Control Panel Assy
A2	56315925	1	Speed Control
BT1	NA	6	Battery
F1	56412089	1	Fuse, 150 Amp
F2	56315255	1	Circuit Breaker, 5 Amp
F3	56315256	1	Circuit Breaker, 30 Amp
K1	56395453	1	Contactora, Brush Motor
K2	56395455	1	Contactora, Vac Motor
L1#	56303275	1	Solenoid, Solution TSB-FC-2015-023
M1	56382500	1	Transaxle, 36v
[]	56315676	1	Motor
[]	56315677	4	Carbon Brush
[]	56315678	2	Neoprene Mounting Sleeve
M2	56397316	1	Motor, Left Brush
[]	56397139	4	Carbon Brush NOTE 2
[]	56397138	4	Brush Spring NOTE 2
[]	56380637	1	Brush Board Assy NOTE 2
M3	56397316	1	Motor, Right Brush
[]	56397139	4	Carbon Brush NOTE 2
[]	56397138	4	Brush Spring NOTE 2
[]	56380637	1	Brush Board Assy NOTE 2
M4	56391208	1	Vac Motor Assy
[]#	56377001	1	Carbon Brush Set of 2 NOTE 3
[]#	56212223	1	Carbon Brush Set of 2 NOTE 4
M5	56109597	1	Motor, Brush Actuator
[]	56109596	1	Plastic Nut
R1	56315929	1	Potentiometer, 100K Ohm, Speed Limit
R2	N/A	1	Resister, 4.7K Ohm (part of 56315920)
S3	56303553	1	Switch, Key
[]	56303526	A/R	Set of 2 Replacement Keys
S4	56315096	1	Switch, Float
S5	56315945	1	Switch, SPST MOM
S6	56315935	1	Switch, Palm Assy
S7	56315935	1	Switch, Palm Assy
[]	56315774	1	Charger, Onboard 36V NOTE 1
[]	56315747	1	Thermister Repair Kit (for 56315774)
[]	56315920	1	Harness, Main
[]	56315750	1	Vacuum Harness
[]	56416445	3	Cable Assy 4 AWG (Battery Cables)
[]	56456460	2	Cable Assy 4 X 12 (Battery Cables)
[]	56372673	12	Boot, Battery Post
[]	56478246	12	Tie, Cable
[]	56314119	2	Spacer, Battery

[] = Not Shown

= Revised or new since last update

NOTE 1: The charger software can be programmed with a computer and the QuiQ Programmer kit 56315732.**NOTE 2:** If your Motor / Gear Unit Assembly has a serial tag from Imperial Electric order (4) Carbon Brushes 56397139 or (4) Brush Springs 56397138.

If your Motor / Gear Unit Assembly has a serial tag from Nilfisk-Advance order Brush Board Assy 56380637.

NOTE 3:# For machines built before June 2011 with Vac Motor 56377470 – use Carbon Brushes 56377001.**NOTE 4:#** For machines built after June 2011 with Vac Motor 56109731 – use Carbon Brushes 56212223.

OPTIONAL KITS & ACCESSORIES

<u>Ref. No.</u>	<u>Qty</u>	<u>Description</u>
Options		
* 56315732	A/R	QuiQ Programmer Kit NOTE 2
* 9096219000	2	Wheel, Polyurethane – Traction
* 56315958	1	Handle Lowering Kit
Kits for Squeegee 56315632		
56315674	1	Kit, Gum Rubber Squeegee Blade "D" NOTE 1
* 56314865	1	Kit, Red Gum Rubber Squeegee Blade "D" NOTE 1
* 56315856	1	Kit, PU Squeegee Blade "D" NOTE 1
Accessories		
* 56315316	A/R	Tote Bag
* 56383571	A/R	Programmer-User
* 56383572	A/R	Programmer Cable-Molex
* 56397453	6	Indicator, Battery Level (1 per battery)
* 56044614	A/R	Literature Pack
Optional Brushes		
* 56315942	2	Pad Holder-17 Gimbal
* 10384A	2	Brush, Light Grit
* 11430B	2	Brush, Medium Grit
* 11425B	2	Brush, Heavy Grit
* 11424B	2	Brush, Polypropylene
* 10875A	2	Brush, Nylon

* = Optional, Not Included

NOTE 1: All squeegee blade kits include both front and rear squeegee blades.

NOTE 2: The charger software can be programmed with a computer and the QuiQ Programmer kit 56315732.

BRUSH SELECTOR GUIDE - DISK

We provide brushes and pad holders that will give you the best possible performance between machine and floor. Following are descriptions of the materials and their applications.

- 10384A Lite Grit: Least aggressive grit brush for general medium duty scrubbing on terrazzo, sealed and unsealed concrete, less aggressive than Clean Grit or Super Grit brushes.
- 110430A Clean Grit: Medium duty scrubbing for tough soils on concrete, tile and other resilient floors. Most popular choice of the grit brushes.
- 11425B Super Grit: Most aggressive of the grit brushes for heavy duty scrubbing on hard floors.
- 11424B Polypropylene: Designed for medium-duty scrubbing on concrete, terrazzo and vinyl floor tile.
- 10875A Nylon: For light duty scrubbing applications.

BRUSHES

56315942 - Pad Holder-17 Gimbal

10384A - Light Grit

11430B - Medium Grit

11425B - Heavy Grit

11424B - Polypropylene

10875A - Nylon

SQUEEGEE BLADE SELECTOR GUIDE

Gum Rubber: Provides superior wiping action on tile, terrazzo, and polished floors.

Red Gum Rubber: Provides longest life on finished or unfinished concrete floors.

Polyurethane: Oil resistance provides superior life in applications with oily floors.

SQUEEGEE BLADE APPLICATION GUIDE(SUGGESTION ONLY)

Performance Traits	Gum Rubber (Natural Rubber)	Red Gum Rubber (Natural Rubber)	Polyurethane/ Pentathane
Tear Strength		X	X
Abrasion Resistance		X	X
Applications			
Oil Resistant Applications			X
Appearance	Tan	Red	Translucent

Clarke®

14600 21st Avenue North
Plymouth, MN 55447-3408

www.clarkeus.com

Phone: 800-253-0367

Fax: 800-825-2753

©2015 Nilfisk-Advance, Inc.

A Nilfisk-Advance Brand