

Clarke®

Vantage 17

Battery



Operator's Manual Libro de Instrucciones Manuel d'utilisation



READ THIS BOOK

LEA ESTE MANUAL

LISEZ CE MANUEL

EN English (2 - 23)

ES Español (24 - 45)

FR Français (46 - 67)

This book has important information for the use and safe operation of this machine. Failure to read this book prior to operating or attempting any service or maintenance procedure to your Clarke machine could result in injury to you or to other personnel; damage to the machine or to other property could occur as well. You must have training in the operation of this machine before using it. If your operator(s) cannot read this manual, have it explained fully before attempting to operate this machine.

All directions given in this book are as seen from the operator's position at the rear of the machine. For new books write to: Clarke®, 2100 Highway 265, Springdale, Arkansas 72764.

TABLE OF CONTENTS

Operator’s Manual 1

OPERATOR SAFETY INSTRUCTIONS 3

INTRODUCTION 5

 HOW TO KEEP THIS MANUAL 5

 IDENTIFICATION DATA 5

 CHANGES AND IMPROVEMENTS 5

 UNPACKING 5

MACHINE SPECIFICATIONS 6

MACHINE TRANSPORT PROCEDURES 7

SYMBOLS SHOWN ON THE MACHINE 7

MACHINE DESCRIPTION 8

 OUTER STRUCTURE 8

 INNER STRUCTURE 9

USE 11

 BATTERY CHECK/SETTING ON A NEW MACHINE 11

 (WET OR GEL) BATTERY SETTING, INSTALLATION AND CHARGING 12

 BEFORE MACHINE START-UP 13

 MACHINE START AND STOP 14

 MACHINE OPERATION (SCRUBBING/DRYING) 15

 MACHINE TRANSPORT/PARKING 15

 TANK EMPTYING 16

 AFTER USING THE MACHINE 16

 RECOVERY TANK REMOVAL 17

 STORED MACHINE 17

MAINTENANCE 18

 SCHEDULED MAINTENANCE TABLE 18

 SQUEEGEE CLEANING 19

 SQUEEGEE BLADE CHECK AND REPLACEMENT 19

 BRUSH CLEANING 20

 TANK AND VACUUM GRID WITH FLOAT CLEANING OF THE 20

 SOLUTION FILTER CLEANING 21

 MACHINE SPEED ADJUSTMENT 21

 BATTERY CHARGING 22

 FUSE CHECK/REPLACEMENT 22

Vantage 17 Battery ACCESSORIES/OPTIONS 23

HOW TO CORRECT PROBLEMS IN THE MACHINE 23

Parts List 69

OPERATOR SAFETY INSTRUCTIONS

**DANGER!**

It indicates a dangerous situation with risk of death for the operator.

**WARNING!**

It indicates a potential risk of injury for people or damage to objects.

**CAUTION!**

It indicates a caution or a remark related to important or useful functions. Pay careful attention to the paragraphs marked by this symbol.

**NOTE**

It indicates a remark related to important or useful functions.

**CONSULTATION**

It indicates the necessity to refer to the Operator's Manual before performing any procedure.

**DANGER!**

- *Before performing any maintenance, repair, cleaning or replacement procedure, turn the main switch to “0” and, if necessary, disconnect the battery.*
- *This machine must be used by properly trained operators only. Children or disabled people cannot use this machine.*
- *When using lead (WET) batteries, keep sparks, flames and smoking materials away from the batteries. During the normal operation explosive gases are released.*
- *Do not wear jewelry when working near electrical components.*
- *Do not operate the machine near toxic, dangerous, flammable and/or explosive powders, liquids or vapours: This machine is not suitable for collecting dangerous powders.*
- *When using lead (WET) batteries, battery charging produces highly explosive hydrogen gas. During battery charging, remove the recovery tank and perform this procedure in well-ventilated areas and away from naked flames.*

**WARNING!**

- Before connecting the battery charger to the electrical mains, be sure that frequency and voltage indicated in the related Manual correspond to the mains voltage.
- Do not charge batteries with damaged battery charger cable or plug. If the machine is not working as it should, has been damaged, left outdoors or dropped into water, return it to the Service Center.
- Do not pull or carry the machine by the battery charger cable; never use the battery charger cable as a handle. Do not close a door on the supply cable, or pull the supply cable around sharp edges or corners. Do not run the machine on the battery charger cable.
- Keep the battery charger cable away from heated surfaces.
- To reduce the risk of fire, electric shock, or injury, do not leave the machine unattended when it is plugged in.
- To avoid electric shock, do not expose to rain. Store the machine indoors.
- Do not leave the machine unattended without being sure that it cannot move independently.
- Always protect the machine against the sun, rain and bad weather, both under operation and inactivity condition. Store the machine indoors, in a dry place: This machine must be used in dry conditions, it must not be used or kept outdoors in wet conditions.
- Before using the machine, close all doors and/or covers.
- Do not allow to be used as a toy. Close attention is necessary when used near children.
- Use only as described in this Manual. Use only Clarke recommended accessories.
- Take all necessary precautions to prevent hair, jewelry and loose clothing from being caught in the machine moving parts or vacuuming parts of the machine.
- Do not leave the machine unattended without being sure that the machine cannot move independently.
- Do not allow any object to enter into the openings. Do not use the machine if the openings are clogged; always keep the openings free from dust, hair and any other foreign material which could reduce the air flow.
- While using this machine, take care not to cause damage to people.
- Do not use the machine in particularly dusty areas.
- Do not put any can containing fluids on the machine.
- The machine working temperature must be between +32°F and +104°F (0°C and +40°C).
- The storage temperature must be between +32°F and +104°F (0°C and +40°C).
- The humidity must be between 30% and 95%.
- When using floor cleaning detergents, follow the instructions on the labels of the detergent bottles.
- To handle floor cleaning detergents, wear suitable gloves and protections.
- Always protect the machine against the sun, rain and bad weather, both under operation and inactivity condition.
- Do not use the machine as a means of transport.
- Do not use the machine on incline.
- Do not allow the brush to operate while the machine is stationary to avoid damaging the floor.
- Do not bump into shelves or scaffoldings, particularly where there is a risk of falling objects.
- Do not tamper with the machine safety guards and follow the ordinary maintenance instructions.
- Do not remove or modify the plates affixed to the machine.
- In case of fire, use a powder fire extinguisher, not a water one.
- To ensure the proper and safe operation of the machine, have the scheduled maintenance and repair, detailed in the relevant chapter of this Manual, performed by the authorized personnel or an authorized Service Center.
- If parts must be replaced, require GENUINE spare parts from a Dealer or Authorized Retailer.
- Do not wash the machine with direct or pressurised water jets, or with corrosive substances.
- The machine must be disposed of properly, because of the presence of toxic-harmful materials (batteries, electronic boards etc.), which are subject to standards that require disposal in special centers (see Scrapping chapter).
- Pay attention during the machine transfers when temperature is below freezing point. The water in the recovery tank or in the hoses could freeze and seriously damage the machine.
- Use the brushes and the pads supplied with the machine and those specified in the Operator's Manual. Using other brushes or pads could reduce safety.
- This machine contains lead acid batteries. The batteries must be disposed of in an environmentally acceptable manner.

INTRODUCTION

The model of the Clarke scrubber-dryer ensures a highly effective floor cleaning performance. The Vantage 17 Battery model uses a single rotary brush to clean an area of 17.0 in (430 mm) in width. The rear squeegee performs the floor cleaning and the vacuum system recovers the washing water in a single pass.

HOW TO KEEP THIS MANUAL

The Instructions for Operator's Manual must be kept near the machine, inside an adequate case, away from liquids and other substances that can cause damage to it.

IDENTIFICATION DATA

The machine serial number and model are shown on the plate and can be read from the outside. (A, Fig. 2 - pag 10)

The machine production year is indicated by the first two figures of the machine serial number.

This information is useful when requiring machine spare parts. Use the following table to write down the machine identification data for any further reference.

MACHINE model
MACHINE serial number

CHANGES AND IMPROVEMENTS

Clarke constantly improves its products and reserves the right to make changes and improvements at its discretion without being obliged to apply such benefits to the machines previously sold.

Any change and/or addition of accessories must be approved and performed by Clarke.

UNPACKING

To unpack the machine carefully follow the instructions on the packing.

When the machine is delivered, check that the packing and the machine were not damaged during transportation. In case of visible damages, keep the packing and have it checked by the Carrier that delivered it. Call the Carrier immediately to fill in a damage claim.

Please check that the following items have been supplied with the machine:

1. Technical documents:
 - Scrubber-dryer operator's manual
 - Electronic battery charger manual
2. 40A fuse
3. battery panels

MACHINE SPECIFICATIONS

Model	Vantage 17 Battery
Working Voltage	24 V
Standard Batteries (Quantity: 2)	12V 86 Ah, GEL
Drive Speed	Determined by brush rotation
Battery Protection System	Low Voltage Cut-Off of Brush and Solution
Vacuum Motor	0.5 hp (370 W)
Vacuum System Capacity	41.5 in H ₂ O (1,055 mm H ₂ O)
Solution Tank Capacity	8.2 gal (31 liters)
Solution Flow (min/max)	0.08/0.26 gal/min (0.3/1.0 liters/min)
Recovery Tank Capacity	7.7 gal (29 liters)
Squeegee	Straight
Squeegee Width	28.3 in (720 mm)
Cleaning Width	17 in (430 mm)
Brush/Pad Motor	0.7 hp (520 W)
Brush/Pad Diameter	17 in (430 mm)
Brush/Pad Rotation Speed	135 RPM
Brush/Pad On-Floor Pressure (with Full Tank)	50.6 lbs (23 kg)
Central Wheels on Fixed Axle Diameter	9.8 in (250 mm)
Pivoting Wheel (diameter)	1.9 in (49 mm)
Rear wheel specific pressure on the floor	145 psi (1,0 N/mm ²)
Front wheel specific pressure on the floor	275.5 psi (1,9 N/mm ²)
On-Board Battery Charger	24V D.C., 8 Amp., 115-230V, 50-60 Hz
Maximum Floor Inclination	2 %
Machine Length	43.9 in (1115 mm)
Machine Width (without Squeegee)	22.4 in (570 mm)
Machine Height	41.4 in (1050 mm)
Machine Weight with Batteries, Brush and Full Solution Tank (Working Condition)	346.1 lbs (157 kg)
Sound pressure level at workstation (ISO 11201, ISO 4871) (LpA)	65 dB(A) ± 3dB(A)
Machine sound pressure level (ISO 3744, ISO 4871) (LwA)	89 dB(A)
Vibration level at the operator's arms (ISO 5349-1)	< 98.4 in/s ² (< 2,5 m/s ²)
Battery Compartment Size (Length x Width x Height)	13.8x13.8x10.2 in (350x350x260 mm)

MACHINE TRANSPORT PROCEDURES

How to Load and Unload the Machine from a Van or a Truck



WARNING!

This machine is heavy. Machine transfer must be performed by qualified personnel only. Machine transfer on steep ramps must be performed by two well-trained operators only. Always move it slowly. Do not turn the machine on slopes. Do not leave the machine unattended on slopes. Loading ramp width must not be less than 40 in (1 m).

1. Check that the loading ramp is not longer than 8 feet (2.5 m) and not wider than 40 inches (1 m). Its thickness must be adequate to support the machine and operators' weight.
2. Check that the ramp is dry and clean.
3. Position the ramp properly.
4. Before loading the machine, remove the squeegee assembly and the brush/pad holder. Before loading the machine, empty both the solution and the recovery tank.

How to Fasten the Machine Inside the Vehicle

5. Clarke recommends tying down machine when transporting.

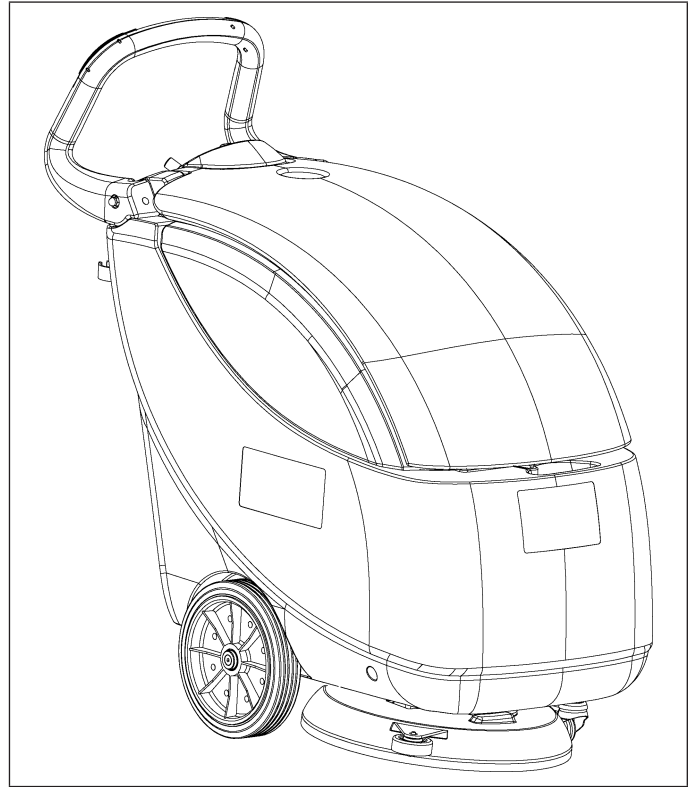
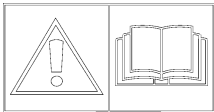


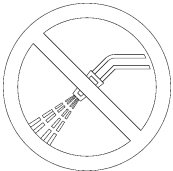
Figure 1

SYMBOLS SHOWN ON THE MACHINE



WARNING!

Carefully read all maintenance/repair instructions before performing any maintenance/repair procedure.



WARNING!

Do not wash the machine with pressurized water.



WARNING!

Do not open the cover. Electric danger!

MACHINE DESCRIPTION

OUTER STRUCTURE

(See Fig. 2)

- | | | | |
|-----|--|-----|--|
| A. | Serial number plate/technical data | Q. | Recovery tank drain hose bracket |
| B. | Handlebar | R. | Solution drain valve |
| C. | Control panel | S. | Squeegee lifting/lowering lever |
| D. | Solution flow control lever | T. | Solution filter |
| E1. | ECO Solution Flow Position | U. | Battery charger cable |
| E2. | Maximum solution flow position | V. | Squeegee vacuum hose |
| F. | Recovery tank cover | W. | Transport/parking device |
| G. | Rear support wheel for transport/parking | W1. | Transport/parking device activated |
| H. | Central wheels on fixed axle | W2. | Transport/parking device deactivated |
| I. | Brush/pad-holder with pad | X. | Transport/parking device positioning pin |
| J. | Brush/pad-holder cover | Y. | Electrical component box |
| K. | Squeegee | Z. | Battery charger |
| L. | Squeegee knobs | AA. | Battery charger warning lights |
| M. | Front squeegee blade | AB. | Battery installation diagram |
| N. | Rear squeegee blade | AC. | Recovery tank |
| O. | Squeegee blade fixing springs | AD. | Solution tank |
| P. | Recovery tank drain hose | | |

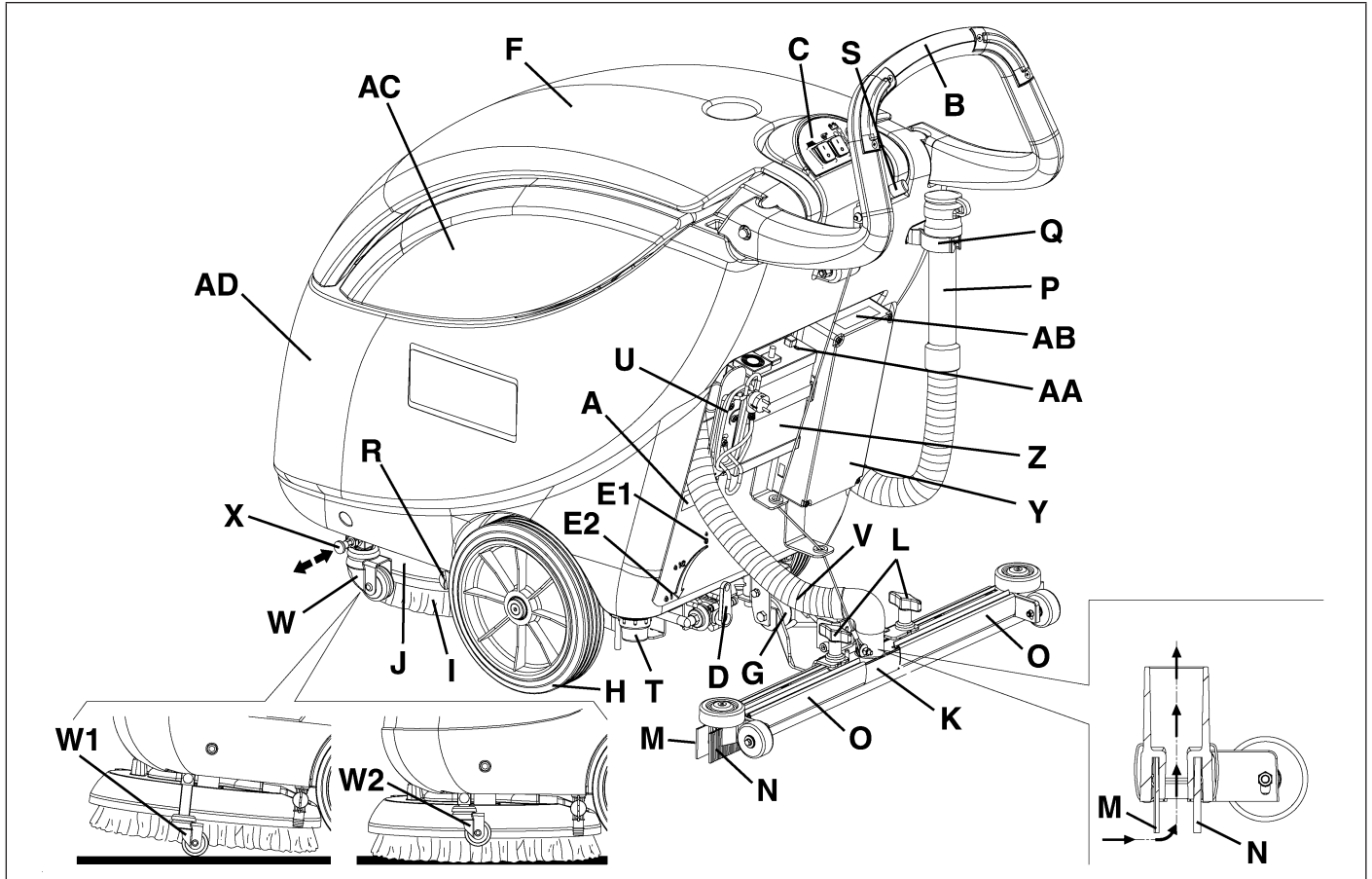


Figure 2

INNER STRUCTURE

(See Fig. 3)

- | | | | |
|----|---|----|--|
| A. | Recovery tank cover (open) | K. | Battery installation diagram |
| B. | Recovery tank cover gasket | L. | Cover with brush/pad-holder coupling pin |
| C. | Cover stand (applied) | M. | Machine speed adjusting screw |
| D. | Recovery tank | N. | Brush |
| E. | Solution tank | O. | Pad-holder |
| F. | Vacuum grid with automatic shut-off float | P. | Pad |
| G. | Recovery water drain hole | Q. | Vent hole |
| H. | Vacuum motor | | |
| I. | Brush/pad motor | | |
| J. | Batteries | | |

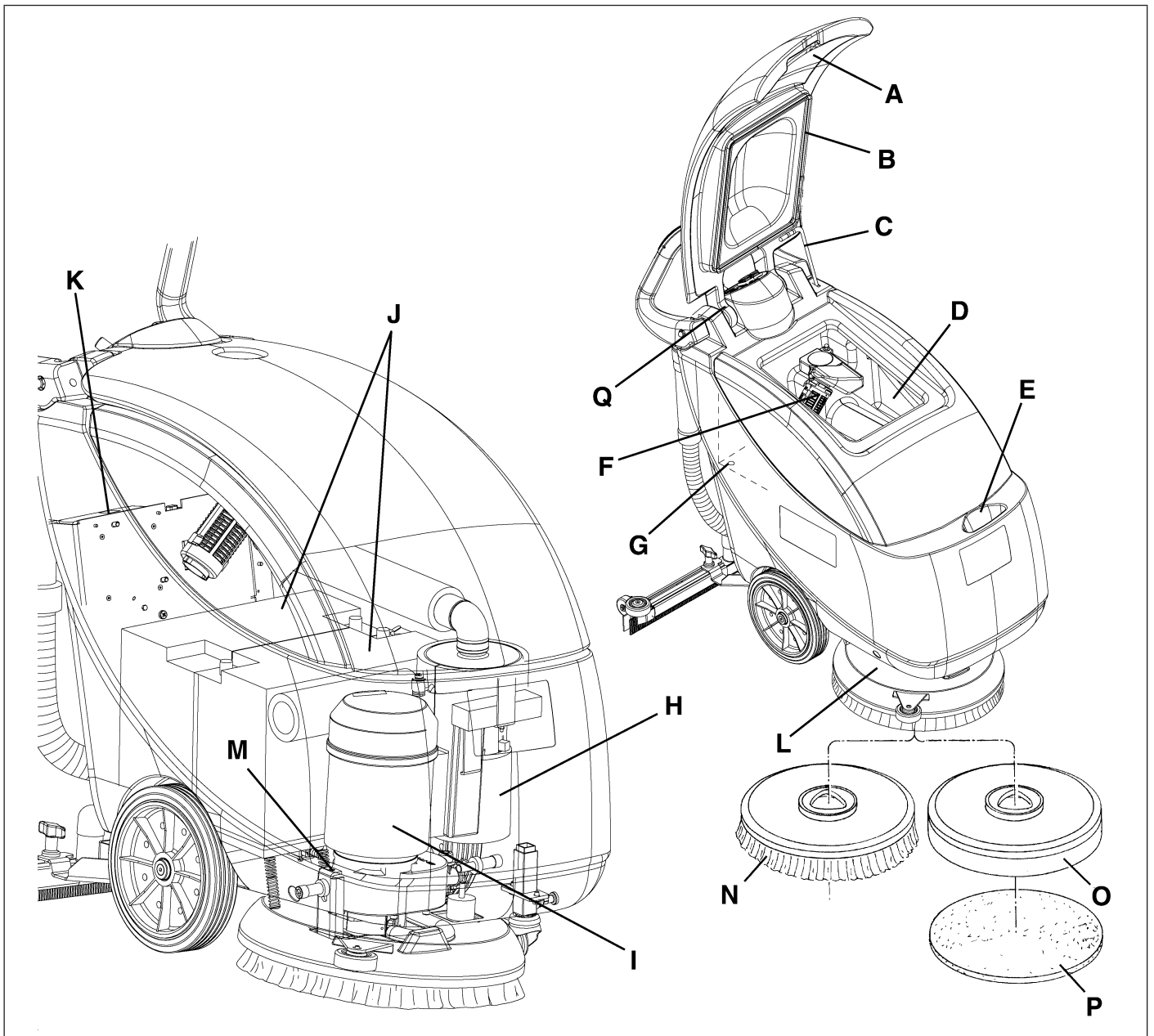


Figure 3

CONTROL PANEL

(See Fig. 4)

Charged Battery Indicator Light (Green) (A, Fig. 4)

When it turns on, it indicates that the batteries are charged.

Half-discharged Battery Indicator Light (Yellow) (B, Fig. 4)

When it turns on, it indicates that the batteries are half discharged.

Discharged Battery Indicator Light (Red) (C, Fig. 4)

When it turns on, it indicates that the batteries are discharged. Do not use the machine with discharged batteries, to avoid damaging the batteries, but charge them (see the procedure in the Maintenance chapter).

Brush/Pad Rotation Switch (D, Fig. 4)

When it is turned to the "1" position, the machine is ready to start the brush/pad rotation. To start the brush/pad rotation, press and hold one or both the activation switches (F, Fig. 4).

When it is turned to the "0" position, the brush/pad rotation is deactivated.

Water Vacuuming Switch (E, Fig. 4)

When it is turned to the "1" position, it starts the vacuuming of the recovery water.

When it is turned to the "0" position, it stops the vacuuming of the recovery water.

Activation Switches (F, Fig. 4)

When one or both the activation switches are pressed, the brush/pad rotation is activated.

The switches are active only if the brush/pad rotation switch (D, Fig. 4) is turned to the "1" position.

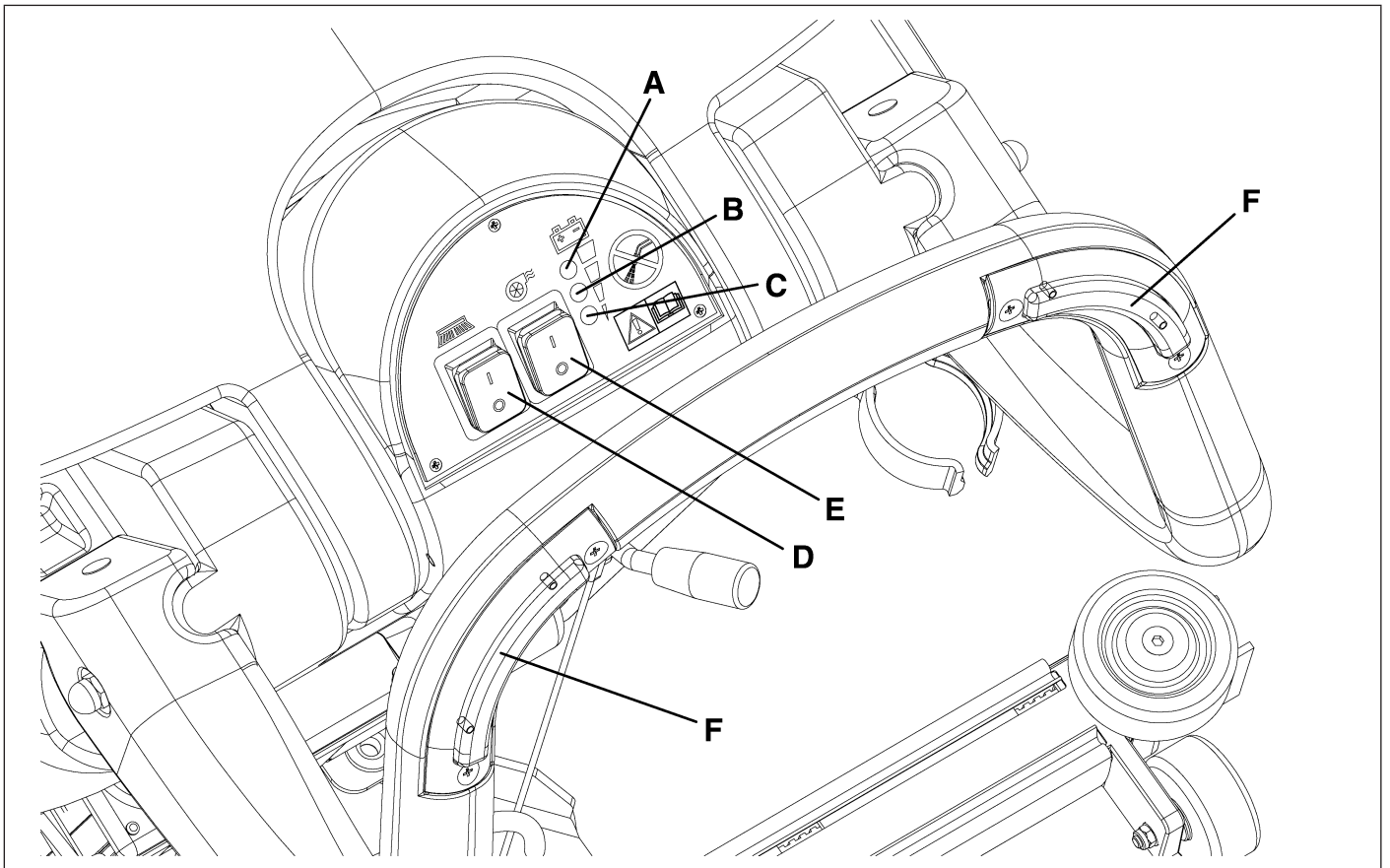


Figure 4

USE

**WARNING!**

On some points of the machine there are some labels indicating:

- **DANGER**
- **WARNING**
- **CAUTION**
- **INFORMATION**

While reading this Manual, the Operator must pay particular attention to the symbols shown in the plates.

Do not cover these plates for any reason and immediately replace them if damaged.

BATTERY CHECK/SETTING ON A NEW MACHINE

**WARNING!**

The electric components of this machine can be seriously damaged if batteries are either installed or connected improperly. The batteries must be installed by qualified personnel only.

Check the batteries for damage before installation.

Handle the batteries with great care.

Install the battery terminal caps supplied with the machine.

The machine is supplied with GEL batteries already installed and ready to be used.

- Turn the brush/pad rotation switch and the water vacuuming switch (A and B, Fig. 6) to the "I" position. If the green warning light (C) turns on, the batteries are ready to be used.
- If the yellow or red warning light (D or E, Fig. 6) turns on, it is necessary to charge the batteries before using the machine (see the procedure in the Maintenance chapter).

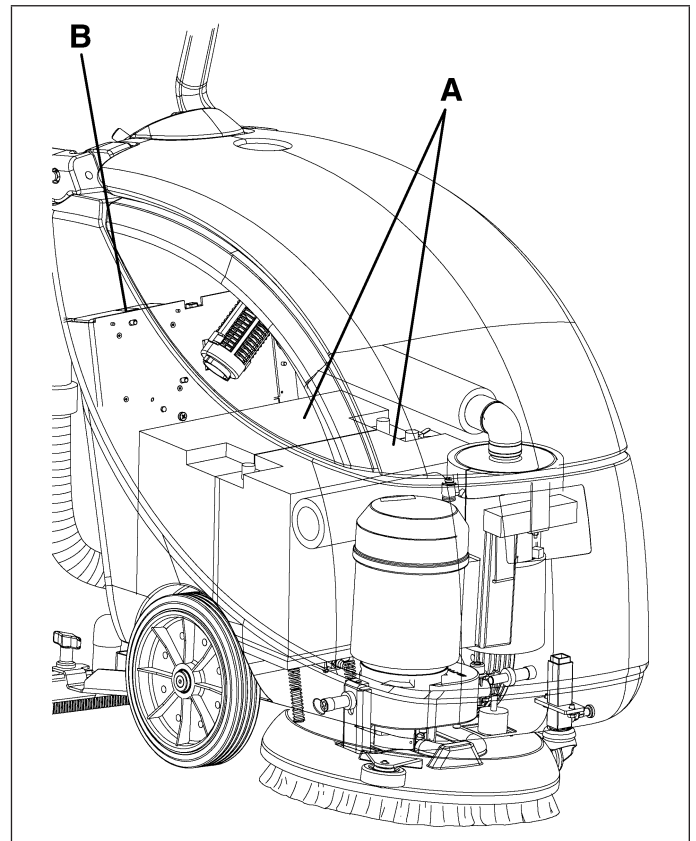


Figure 5

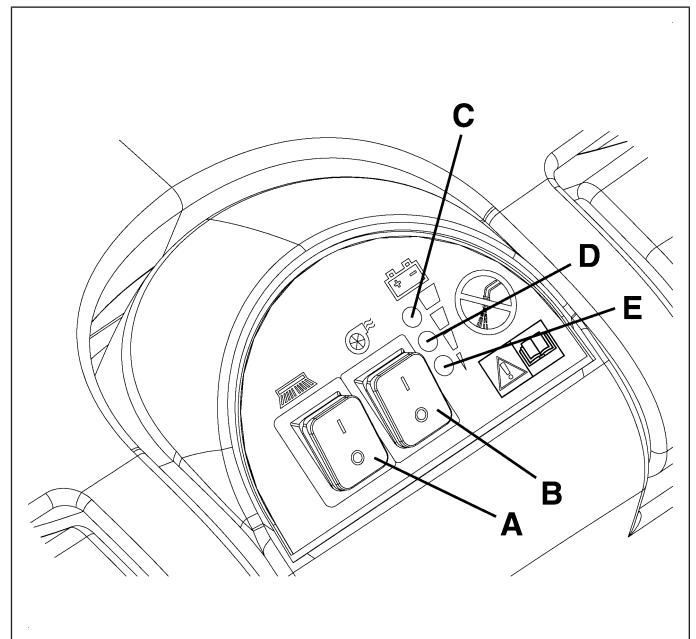


Figure 6

(WET OR GEL) BATTERY SETTING, INSTALLATION AND CHARGING

The electrical board of the machine is to be set according to the type of batteries installed, either gel (GEL) or lead (WET). Proceed as follows:

Machine Setting

1. The machine factory setting is for GEL batteries; if this setting corresponds to the type of batteries bought, go to step 5. Otherwise, carry out steps 2, 3, and 4 too.
2. Remove the screws (A, Fig. 7) and carefully pull out the electrical component box cover (B).
3. Push the microswitch (C, Fig. 7) downwards to WET position.



WARNING!
Do not move the adjacent switch (D, Fig. 7).

4. Reinstall the electrical component box cover (B, Fig. 7) and tighten the screws (A).

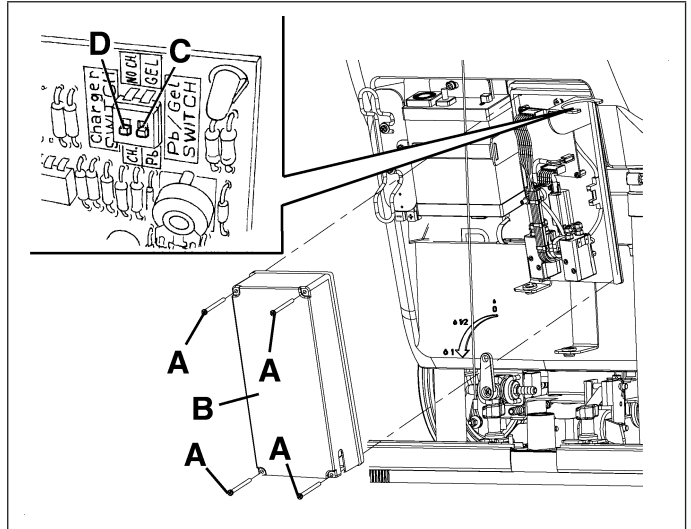


Figure 7

Battery Installation

5. Disconnect the vacuum hose (A, Fig. 8) from the squeegee (B).
6. Disconnect the recovery tank drain hose (C, Fig. 8) from the bracket (D).
7. Open the cover (A, Fig. 9) and apply the cover stand (B).
8. Grasp the recovery tank (C, Fig. 9) in the area (D) and lift it, as shown in the figure, then disconnect the vacuum hose (E) from the tank and remove the tank (C) together with hoses (F) and (G).
9. Install the batteries on the machine according to the diagram (E, Fig. 8).
10. Reinstall the tank (C, Fig. 9) by carrying out steps 5 to 9 in the reverse order.

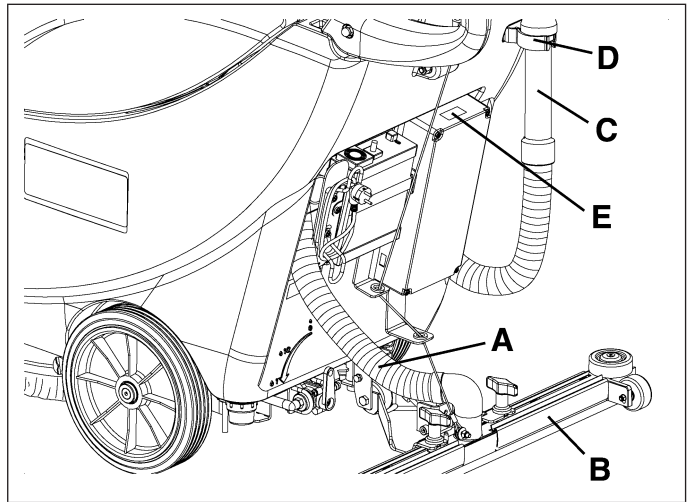


Figure 8

Battery Charging

11. Charge the batteries (see the relevant procedure in the Maintenance chapter).

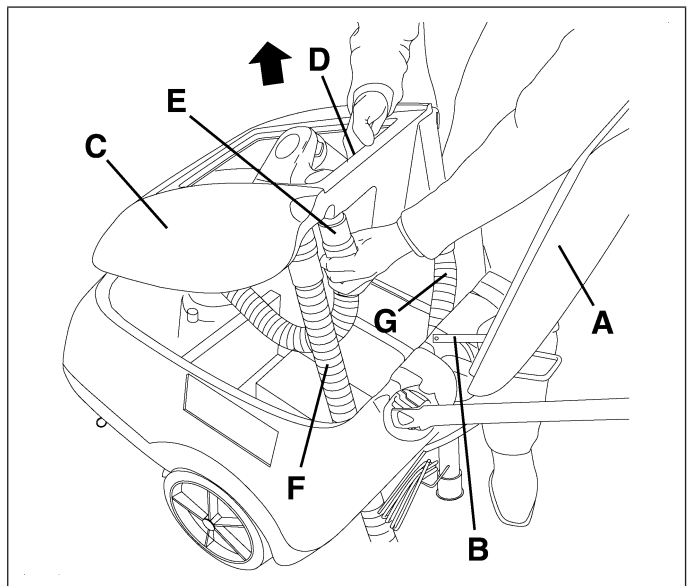


Figure 9

BEFORE MACHINE START-UP

To prepare the machine for operation, follow this procedure before start-up.

Squeegee Installation

1. Install the squeegee (A, Fig. 10) and fix it by means of the squeegee knobs (B), then connect the vacuum hose (C) to the squeegee.

Solution Tank Filling

2. Fill the solution tank (A, Fig. 11) with a solution suitable for the work to be carried out. Do not fill the solution tank completely, leave few inches from the edge. Always follow the dilution instructions on the container label on the chemical product used to create the solution. The solution temperature must not exceed 100°F (40°C).



CAUTION!

Use only low-foam and non-flammable liquid detergents, intended for automatic scrubber applications.

Brush or Pad-Holder Installation



NOTE

According to the kind of cleaning to be carried out, the machine can be equipped both with the brush (B, Fig. 11) and the pad-holder (C) with pad (D).

3. Deactivate the transport/parking device (A, Fig. 12) by putting it in position (B) after inserting the relevant pin (C).
4. Lift the brush cover (D, Fig. 12) by prying the handlebar (E).
5. Place the brush (B, Fig. 11) or the pad-holder (C) with pad (D) under the cover.
6. Lower the cover (D, Fig. 12) by means of the handlebar (E).
7. Press the brush push-button on "I" (Fig. 12, F), then press on or both push-buttons (Fig. 12, G) for a few seconds. If the hooking operation is difficult, manually rotate the brush/pad-holder counterclockwise (Fig. 13).

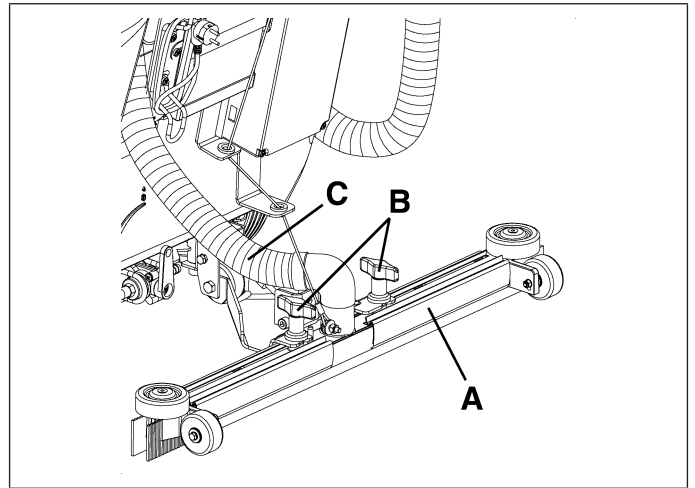


Figure 10

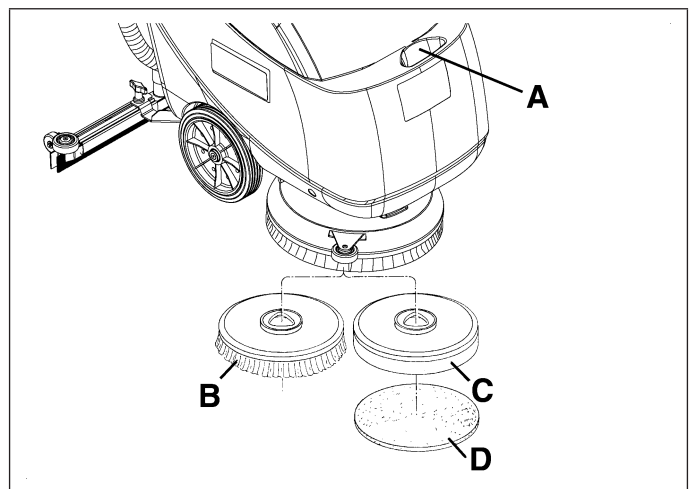


Figure 11

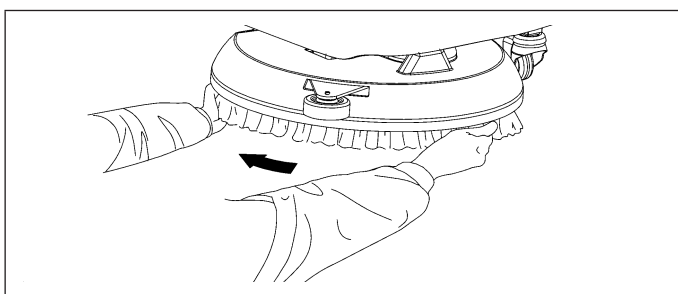


Figure 13

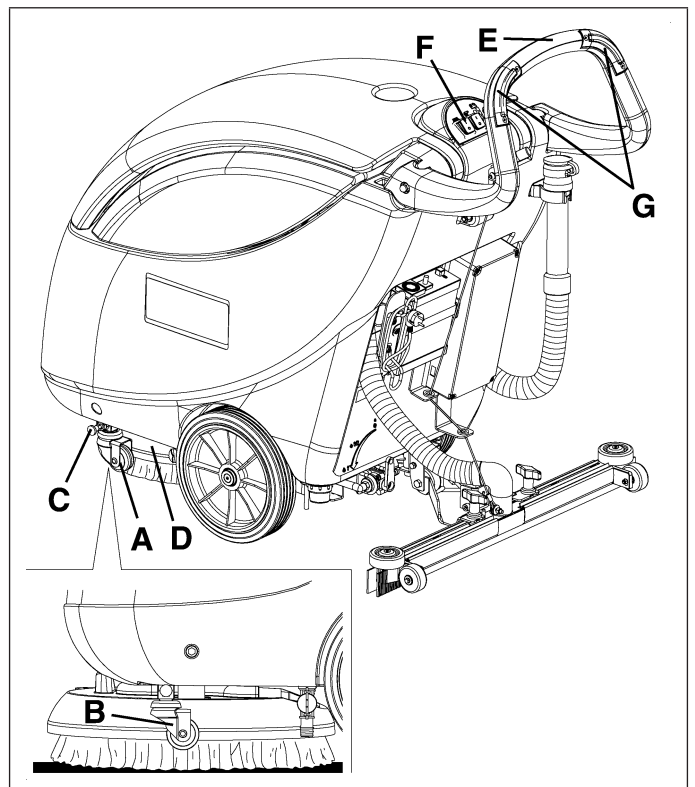


Figure 12

MACHINE START AND STOP

Start

1. Prepare the machine according to the procedure shown in the previous paragraph.
2. Lower the squeegee (A, Fig. 15) by pushing the lever (B) downwards.
3. Turn the solution flow control lever (C, Fig. 15) to one of the following positions, according to the type of cleaning to be carried out:
 - **ECO system:** When the lever (C, Fig. 15) is in the “ECO” position (D), the machine works in a special condition of programmed water “economy” usage; as the water flow is set and constant, the machine can work with a cleaning time of 70-80 minutes [0.08 gal/min (0.3 liters/min)].
 - **Variable system:** When the lever is turned to the left (variable flow), it is possible to increase the capacity up to 0.26 gal/min (1 liter/min) (E, Fig. 15).
4. Turn the switches (A and B, Fig. 14) to the “I” position.



NOTE

If the green indicator light (C, Fig. 14) turns on, the machine is ready to be used.
 If the yellow (D) or red indicator light (E) turns on, it is necessary to charge the batteries (see the procedure in the Maintenance chapter).

5. While keeping both hands on the handlebar (G, Fig. 15), start the machine by pressing one or both the activation switches (F).

Machine Stop

6. Release the switches (F, Fig. 15).
7. Turn the switches (A and B, Fig. 14) to the “0” position.
8. Lift the squeegee by pushing the lever (B, Fig. 15) completely upwards.
9. Lift the brush/pad by activating (B, Fig. 16) the transport/parking device (A) after inserting the relevant pin (C).

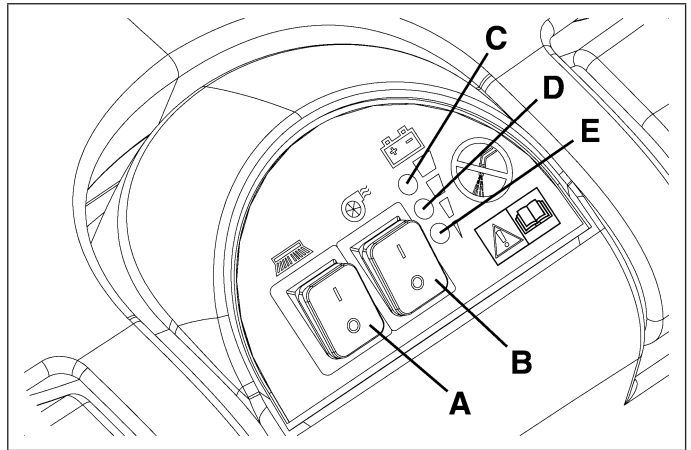


Figure 14

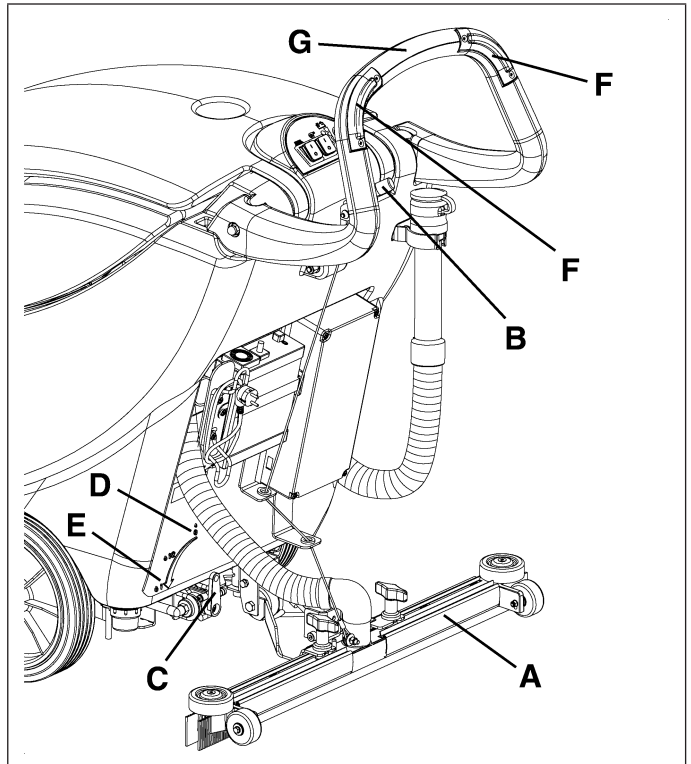


Figure 15

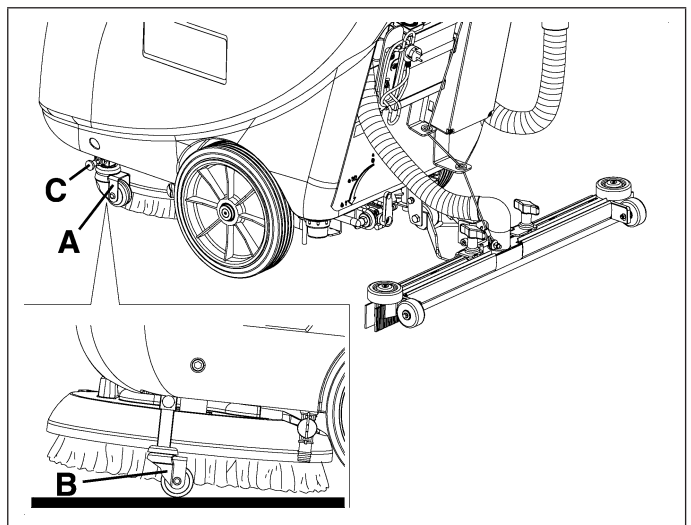


Figure 16

MACHINE OPERATION (SCRUBBING/DRYING)

1. Start the machine according to the procedure shown in the previous paragraph.
2. While keeping both hands on the handlebar (D, Fig. 18), move the machine and start scrubbing/drying the floor.



CAUTION!

*To avoid damaging the floor surface:
Do not use the brush/pad without the solution.
When the machine is stopped, stop the brush/pad by releasing the switches (A, Fig. 18).*



CAUTION!

Before lifting the brush/pad, stop its rotation by releasing the switches (A, Fig. 18).

3. If necessary, adjust the solution flow sent to the brush/pad by turning the lever (B, Fig. 18).



NOTE

For correct scrubbing/drying of floors at the sides of the walls, Clarke suggests to go near the walls with the right side of the machine.



CAUTION!

In case of brush/pad-holder motor overload, due to foreign bodies which prevent them from turning, or to excessively aggressive floors/brushes, the safety system stops the brush/pad-holder after about one minute of continuous overload.

The overload is shown by the three warning lights (A, B, C, Fig. 17) flashing simultaneously.

If the overload persists, the brush/pad-holder stops.

To start scrubbing again after a brush/pad-holder stop due to overload, stop the machine by turning the brush/pad-holder switch and the vacuum system switch (D and E) to "0". Turn on the machine by turning the brush/pad-holder switch and the vacuum system switch (D and E) to "1".

Battery Discharge During Operation

4. Until the green indicator light (A, Fig. 17) stays on, the batteries allow the machine to operate normally. When the green indicator light (A) turns off and the yellow (B) and red (C) warning indicator lights turn on in sequence, it is necessary to charge the batteries.



CAUTION:

Do not use the machine with discharged batteries, to avoid damaging the batteries and reducing the battery life.

Machine Speed Adjustment

5. The machine speed depends on the type of floor to be cleaned and on the choice of using brush or pad. If necessary, it is possible to adjust the machine speed by following the relevant procedure in the Maintenance chapter.

MACHINE TRANSPORT/PARKING

After operation, proceed as follows to transport/park the machine.

1. Turn the brush/pad rotation switch and the water vacuuming switch (D and E, Fig. 17) to the "0" position.
2. Lift the squeegee by pushing the lever (C, Fig. 18) upwards.
3. Grasp the handlebar (A, Fig. 19) and slightly lower it until the rear wheel (B) comes into contact with the floor, as shown in the figure. While holding the machine in this position, push it to the transport/parking area.

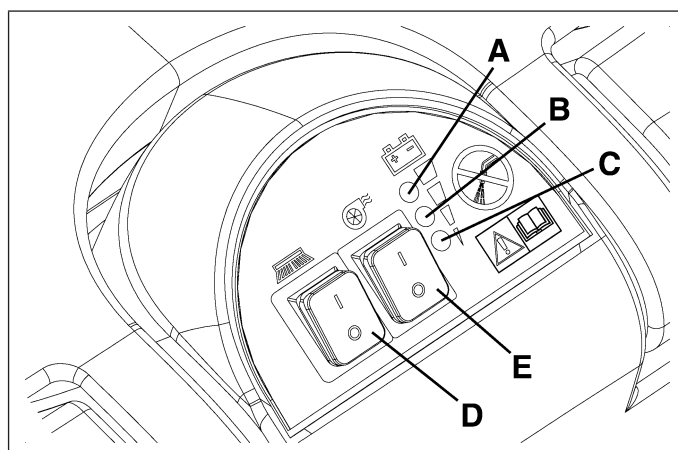


Figure 17

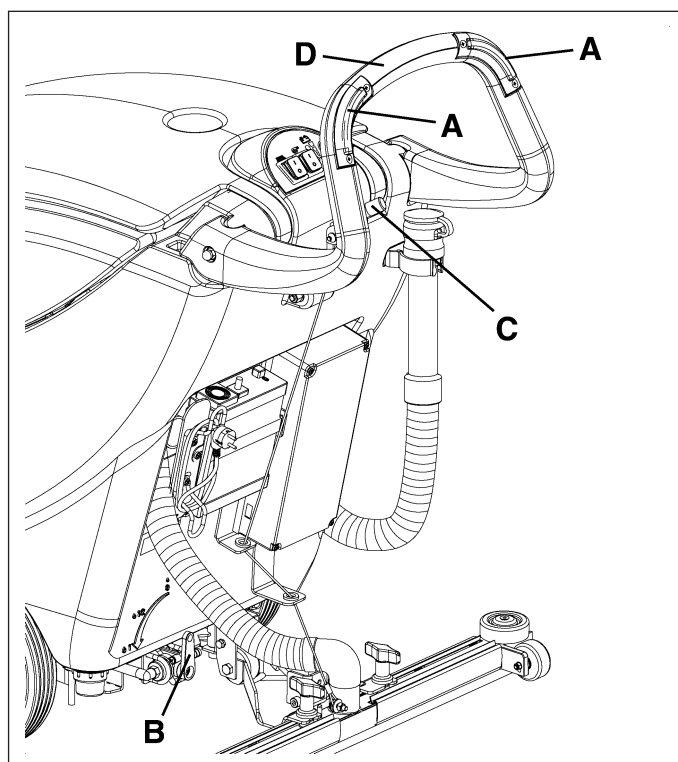


Figure 18

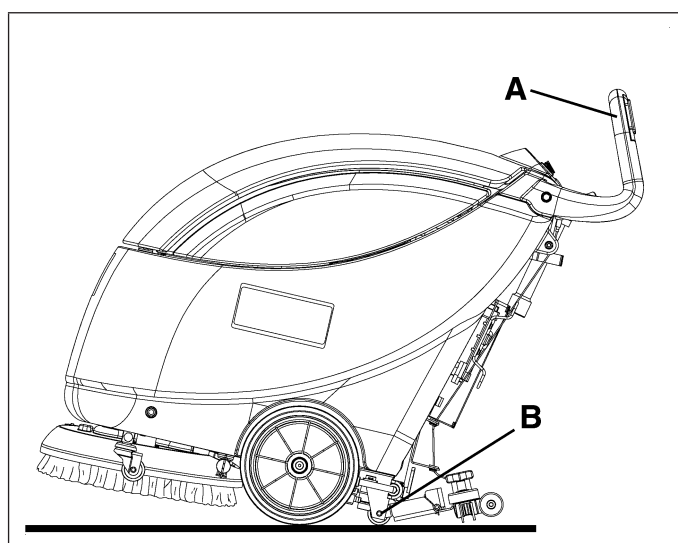


Figure 19

TANK EMPTYING

An automatic float shut-off system (A, Fig. 20) deactivates the vacuum system once the recovery tank (B) is full.

The vacuum system shutdown is due to the recovery tank filling, which prevents recovery water from being vacuumed, and it is signalled by a sudden increase in the system motor noise frequency.

When the recovery tank (B, Fig. 20) is full, empty it according to the following procedure.

Recovery Tank Emptying

1. Stop the machine by turning the brush/pad rotation switch and the water vacuuming switch (A and B, Fig. 21) to the "0" position.
2. Lift the squeegee by means of the lever (C, Fig. 21).
3. Push the machine to the appointed disposal area.
4. Insert the positioning pin (E), lift the brush/pad and activate the transport/parking device (D, Fig. 21) by means of the handlebar.
5. Disconnect the recovery tank drain hose (F, Fig. 21) from the bracket (G); open the cover (H), then lower the hose (F) and empty the recovery tank. Then, rinse the tank with clean water.

Solution Tank Emptying

6. Carry out steps 1 to 4.
7. Empty the solution tank by opening the drain valve (I, Fig. 21). Then, rinse the tank with clean water.

AFTER USING THE MACHINE

After scrubbing-drying, before leaving the machine:

1. Remove the brush/pad-holder as follows:
 - Turn the brush/pad rotation switch (A, Fig. 21) to the "I" position.
 - Lift the brush/pad-holder and press one or both the switches (J, Fig. 21) for a few seconds, then release them: this causes the brush/pad-holder to be disengaged.
2. Empty the tanks (B and C, Fig. 20) according to the procedure shown in the previous paragraph.
3. Perform the maintenance operations to be carried out after using the machine (see the Maintenance chapter).
4. Store the machine in a clean and dry place, with the brush/pad and the squeegee lifted or removed.

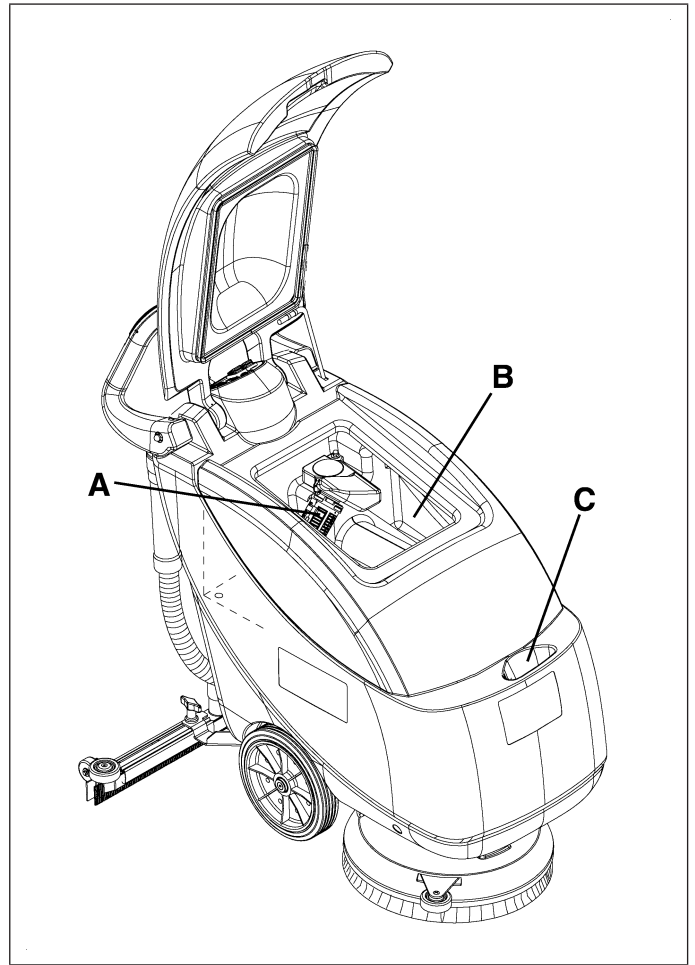


Figure 20

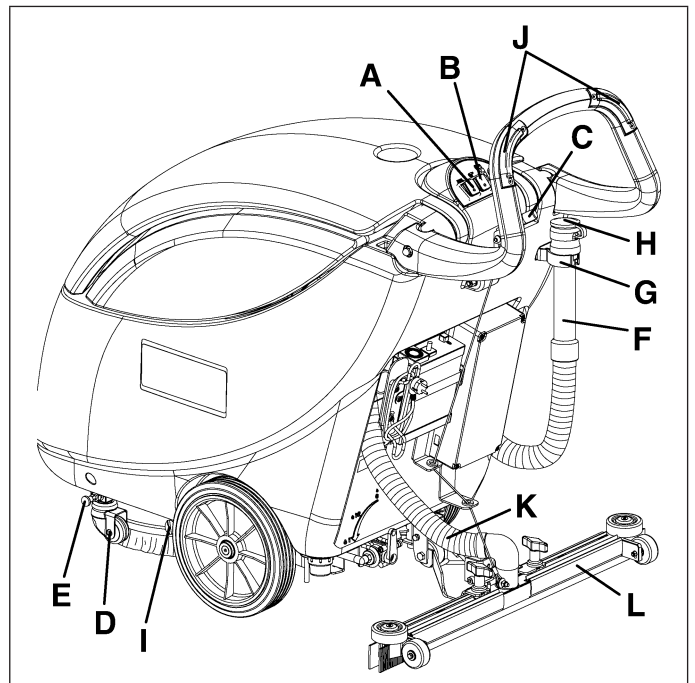


Figure 21

RECOVERY TANK REMOVAL

To check the batteries, or to perform other operations, it may be necessary to remove the recovery tank (A, Fig. 23) according to the following procedure:

1. Empty the tank (A, Fig. 23) according to the procedure shown in the relevant paragraph.
2. Drive the machine on a level ground.
3. Make sure that the switches (A and B, Fig. 22) are in the "0" position.
4. Disconnect the vacuum hose (C, Fig. 22) from the squeegee (D).
5. Disconnect the recovery tank drain hose (E, Fig. 22) from the bracket (F).
6. Open the cover (B, Fig. 23) and apply the cover stand (C).
7. Grasp the recovery tank (A, Fig. 23) in the area (D) and slightly lift it, as shown in the figure.
8. Disconnect the vacuum hose (E, Fig. 23) from the tank, then remove the tank (A) with the hoses (F) and (G).

STORED MACHINE

If the machine is not going to be used for more than 30 days, proceed as follows:

1. Perform the operations described in the After Using the Machine paragraph.
2. Remove the recovery tank (A, Fig. 23) according to the procedure shown in the previous paragraph, then disconnect the battery negative terminals.
3. Reinstall the recovery tank (A, Fig. 23).
4. Store the machine in a clean and dry place, with the brush/pad and the squeegee lifted or removed.

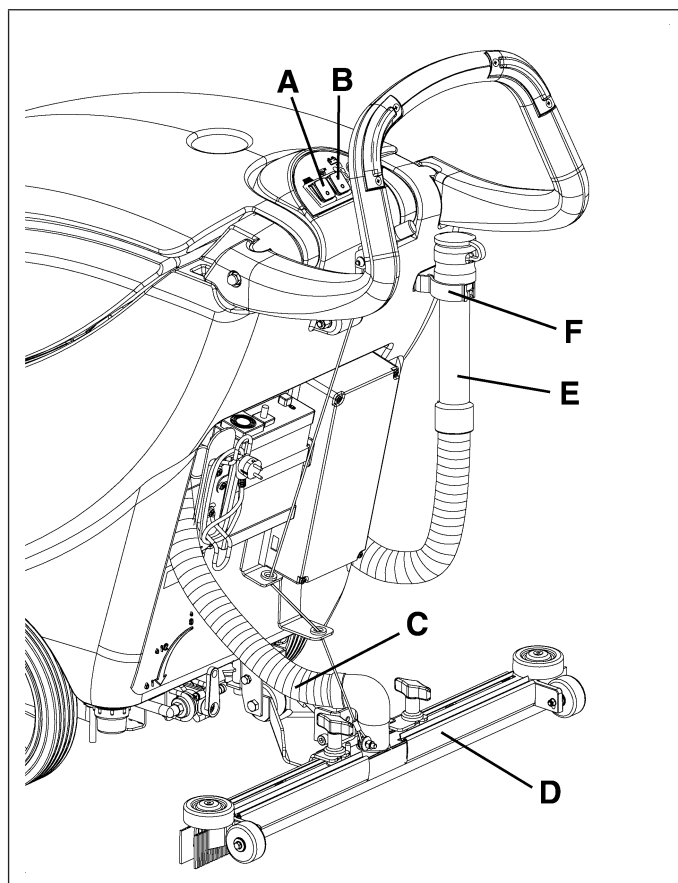


Figure 22

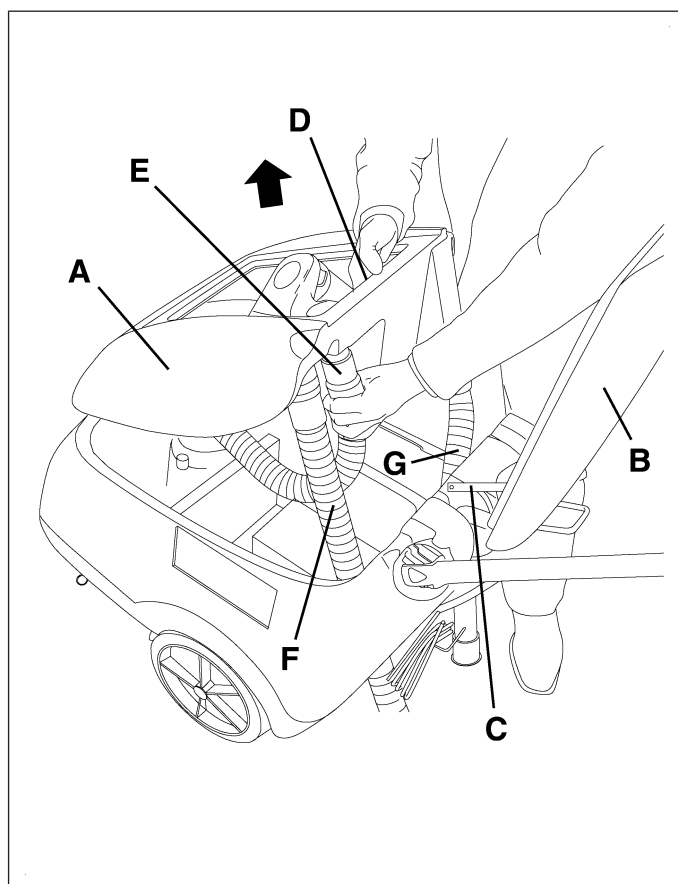


Figure 23

MAINTENANCE



WARNING!

All maintenance operations must be performed by qualified personnel, or by an authorized Service Center.



WARNING!

Maintenance operations must be carried out:

- *With the machine switched off*
- *With the battery disconnected*
- *With the battery charger-electrical mains connecting cable disconnected*

Moreover, read carefully the instructions in the Operator Safety Instructions chapter before performing any maintenance operation.

The lifespan of the machine and its maximum operating safety are ensured by correct and regular maintenance.

Provided below is the Scheduled Maintenance Table. The intervals shown may vary according to particular working conditions, which are to be defined by the person in charge of the maintenance.

This Manual contains the Scheduled Maintenance Table and describes only the easiest and most common maintenance procedures.

SCHEDULED MAINTENANCE TABLE

Procedure	Daily or after using the machine	Weekly	Every six months	Yearly
Squeegee Cleaning				
Brush Cleaning				
Tank and Vacuum Grid with Float Cleaning				
Battery Charging				
Squeegee Blade Check and Replacement				
Solution Filter Cleaning				
Screw and Nut Tightening Check			(1)	
Brush Motor Carbon Brush Check or Replacement				(2)
Vacuum Motor Carbon Brush Check or Replacement				(2)

(1): and after the first 8 working hours

(2): for these maintenance operations, contact an authorized Clarke Service Center

SQUEEGEE CLEANING



NOTE

The squeegee must be clean and the blades must be in good condition in order for the floor to dry properly.



CAUTION!

It is advisable to use protective gloves when cleaning the squeegee because there may be cutting debris.

1. Make sure that the switches (A and B, Fig. 24) are in the "0" position.
2. Lower the squeegee (D, Fig. 24) by means of the lever (C).
3. Disconnect the vacuum hose (E, Fig. 24) from the squeegee.
4. Loosen the squeegee knobs (F, Fig. 24) and remove the squeegee (D).
5. Wash and clean the squeegee assembly to remove dirt and debris.
6. Check the front blade (C, Fig. 25) and the rear blade (D) for wear, cuts and tears; if required, replace them according to the procedure in the "Squeegee Blade Check and Replacement" section below.
7. Reassemble in the reverse order of disassembly.

SQUEEGEE BLADE CHECK AND REPLACEMENT

1. Clean the squeegee according to the procedure shown in the previous paragraph.
2. Check that the edge (E, Fig. 25) of the front blade and the edge (F) of the rear blade lay down on the same level, along their length; otherwise adjust their height according to the following procedure:
 - Remove the fixing springs (G, Fig. 25) and adjust the front blade (C) and the rear blade (D).
 - Reinstall the fixing springs on the properly adjusted front and rear blades.
3. Check the front blade (C, Fig. 25) and rear blade (D) for wear, cuts and tears. If necessary, replace them according to the following procedure:
 - Remove the spring clamp (G, Fig. 25) and replace the blade.



NOTE

When replacing the blades, make sure that the ribs of the front blade face the front and the ribs of the rear blade face the rear.

- Reinstall the spring clamps (G, Fig. 25).
4. Reinstall the squeegee (D, Fig. 24) and screw down the squeegee knobs (F).
 5. Connect the vacuum hose (E, Fig. 24) to the squeegee (D).

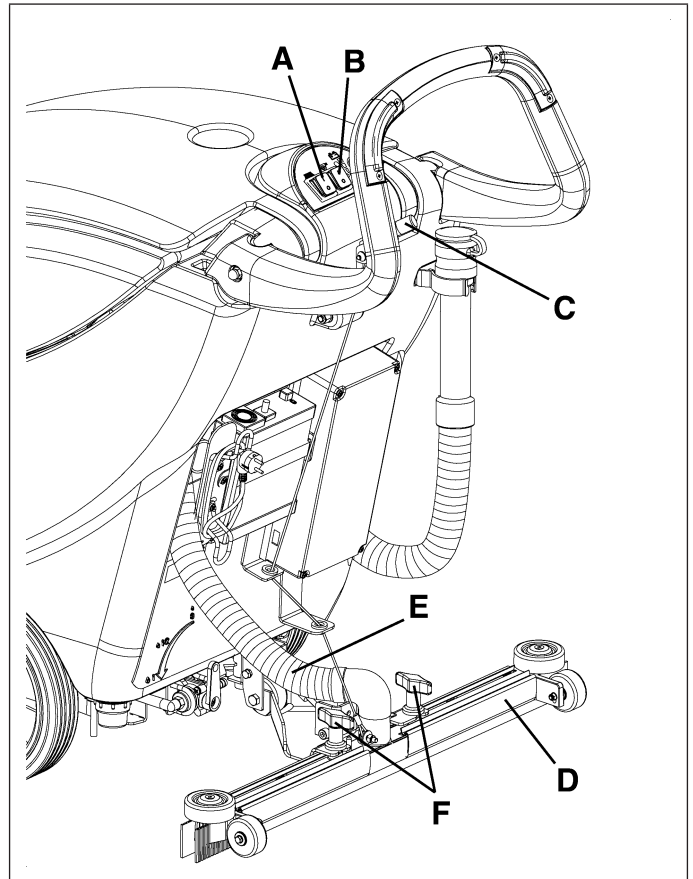


Figure 24

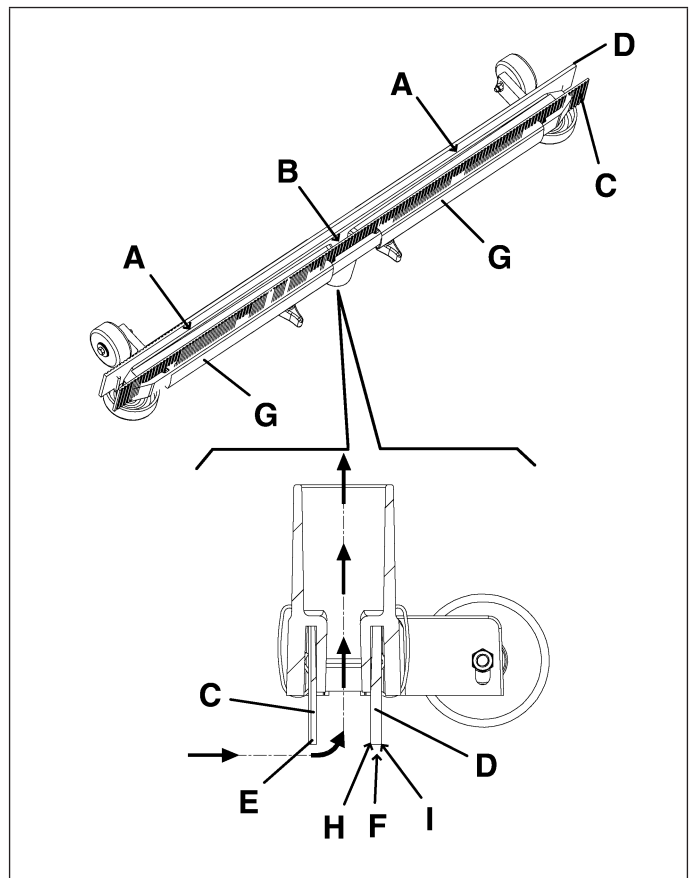


Figure 25

BRUSH CLEANING



CAUTION!
It is advisable to use protective gloves when cleaning the brush because there may be cutting debris.

1. Remove the brush from the machine, according to the procedure shown in the Use chapter.
2. Clean and wash the brush with water and detergent.
3. Check the brush bristles for integrity and wear; if necessary, replace the brush.

CLEANING OF THE TANK AND VACUUM GRID FLOAT

1. Push the machine to the appointed disposal area.
2. Make sure that the switches (A and B, Fig. 26) are in the "0" position.
3. Lift the cover (A, Fig. 27) and apply the cover stand (B), then clean and wash the cover, the tanks (C and D) and the vacuum grid (E) with clean water.
 Drain the water from the tanks by means of the drain hose (C, Fig. 26) and valve (D).
4. If necessary, release the retainers (F, Fig. 27), open the vacuum grid (E), remove the float (G), then carefully clean and reinstall them.
5. Check the cover sealing gasket (H, Fig. 27) of the recovery tank for wear.



NOTE
The gasket (H, Fig. 27) creates vacuum in the tank, which is necessary for the vacuuming of the recovery water.

If necessary, replace the gasket (H, Fig. 27) after removing it from the housing (I).

When reassembling the new gasket, install the joint (J) in the central area, as shown in Fig. 27.

6. Check the gasket (H, Fig. 27) seating surface (K) for integrity and sealing capabilities.
7. Check the vent hole (L, Fig. 27). If clogged, clean it.



NOTE
The hole (L, Fig. 27) compensates the air in the cover interspaces, thus allowing the creation of vacuum in the recovery tank.

8. Remove the cover stand (B, Fig. 27) and close the cover (A).

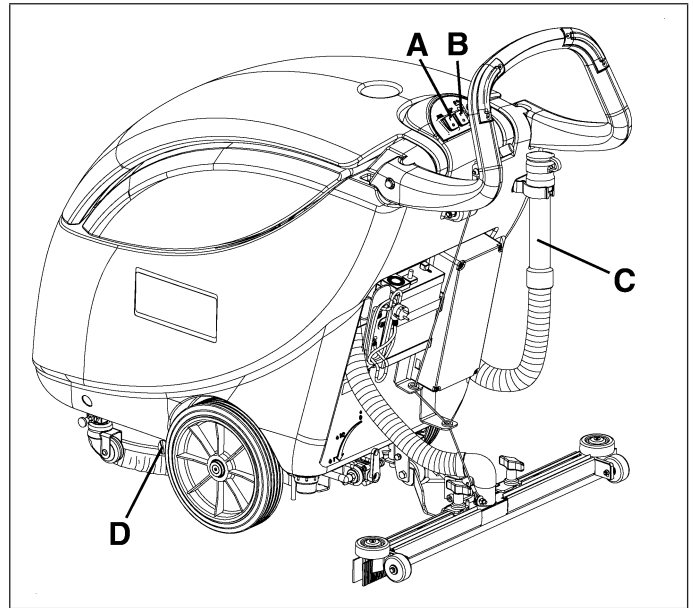


Figure 26

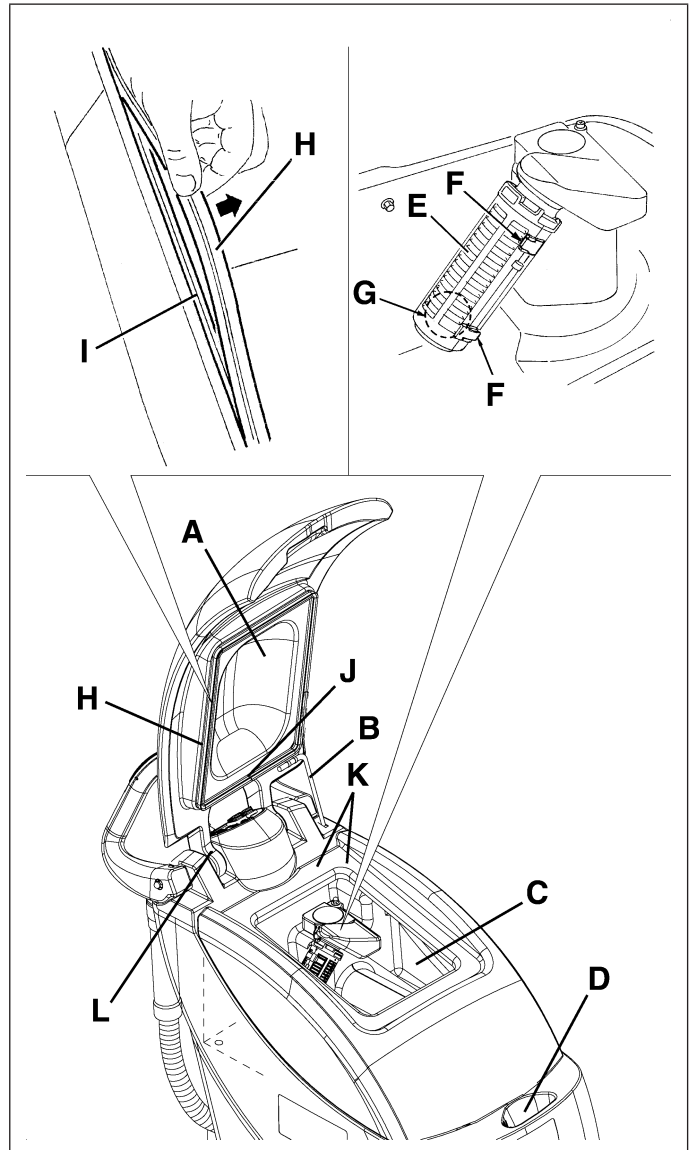


Figure 27

SOLUTION FILTER CLEANING

1. Empty the solution tank (A, Fig. 28) according to the procedure shown in the relevant paragraph.
2. Drive the machine on a level ground.
3. Make sure that the switches (B and C, Fig. 28) are in the "0" position.
4. Remove the transparent cover (D, Fig. 28) and the filter strainer (E), then clean and reinstall them on the support (F).



NOTE

Properly install the strainer (E, Fig. 28) in the housing (G) of the support (F).

MACHINE SPEED ADJUSTMENT



NOTE

The machine speed depends on the type of floor to be cleaned and on the choice of using brush or pad.
The machine speed can be adjusted according to the following procedure.

1. Remove the recovery tank as shown in the Use chapter.
2. Adjust the machine speed by means of the screw (A, Fig. 29), according to the following procedure:
 - Loosen the screw (B, Fig. 29) on the right side of the machine, by turning it counter-clockwise.
 - Turn the adjusting screw (A, Fig. 29) counter-clockwise to increase the machine speed.
 - Turn the adjusting screw (A, Fig. 29) clockwise to decrease the machine speed.
 - After adjusting, tighten the screw (B, Fig. 29).
3. Install the recovery tank as shown in the Use chapter.
4. With the machine ready to operate, carry out hands-on tests of the machine speed and, if other adjustments are necessary, repeat steps 1 to 4.

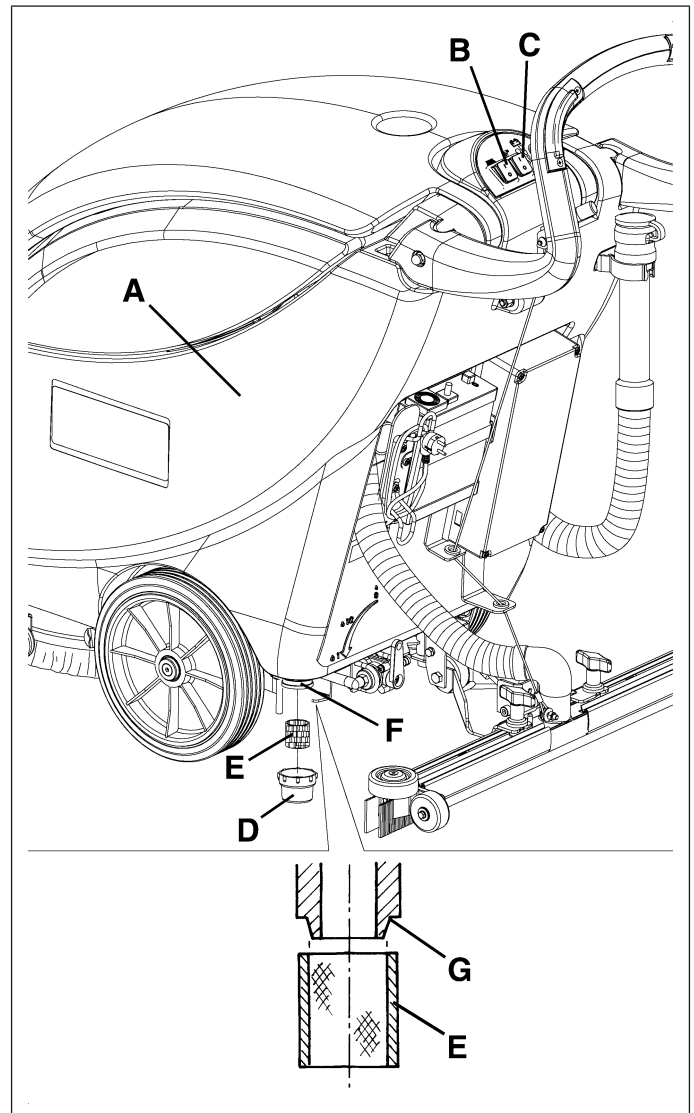


Figure 28

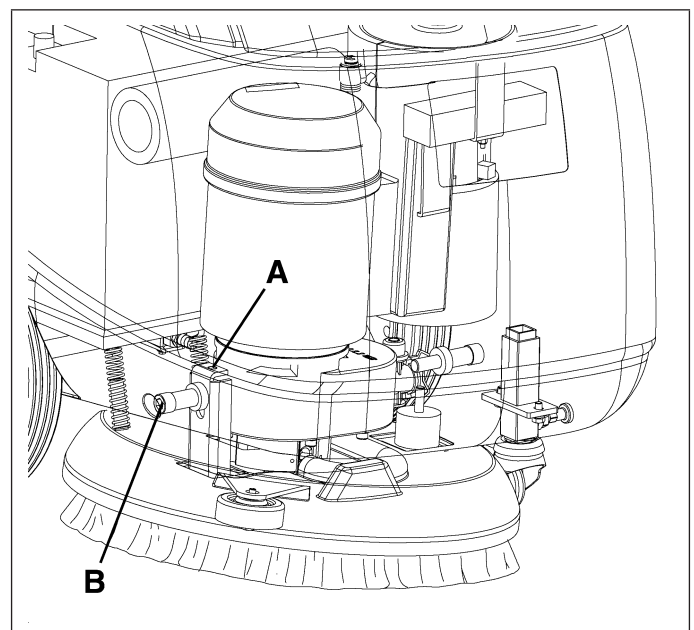


Figure 29

BATTERY CHARGING



NOTE
 Charge the batteries when the indicator light (A or B, Fig. 30) turns on, or when finished cleaning. Keeping the batteries charged makes them last longer.



CAUTION!
 When the batteries are discharged, charge them as soon as possible, as that condition makes them last shorter.
 Check for battery charge at least once a week.



CAUTION!
 Batteries must be charged indoors, in a dry environment.

1. Drive the machine indoors, in a dry environment (damp free), to charge the batteries.
2. Charge the batteries according to the following procedure.
3. Make sure the battery charger cable is plugged into an electrical outlet that will provide voltage and frequency according to the serial number plate/technical data (D, Fig. 31).



NOTE
 When the battery charger is connected to the electrical outlet, all machine functions are automatically cut off. The green indicator light (B, Fig. 31) flashes when the battery charger is charging the batteries.

4. When the green indicator light (B, Fig. 31) stays on, the battery charging cycle is over.
5. When the battery charging cycle is over, disconnect the battery charger cable (A, Fig. 31) from the electrical outlet and wind it around its housing on the machine.
6. Now the machine is ready to be used.



NOTE
 For further information about the operation of the battery charger (C, Fig. 31), see the relevant Manual.

FUSE CHECK/REPLACEMENT

1. Remove the recovery tank as shown in the Use chapter.
2. Disconnect the battery negative terminal.
3. Remove the screws (A, Fig. 32) and remove the electrical component box cover (B).
4. Check/replace the fuses:
 - Brush fuse (C, Fig. 32): (40 A)
 - Vacuum system fuse (D, Fig. 32): (40 A)
 - Solenoid valve and electronic board fuse (E, Fig. 32): (5 A)
5. Reassemble in the reverse order of disassembly.

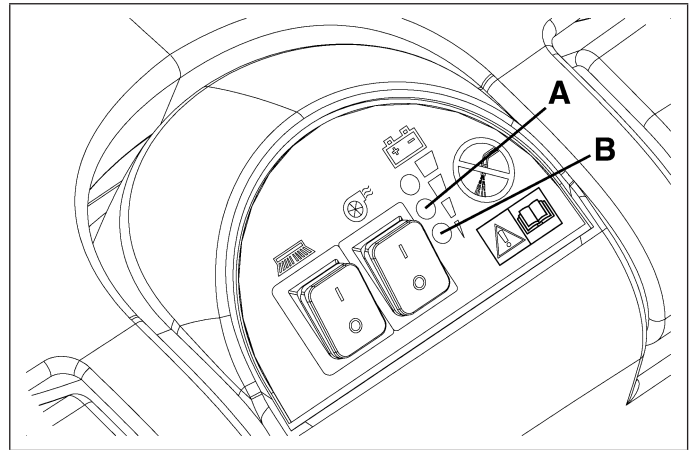


Figure 30

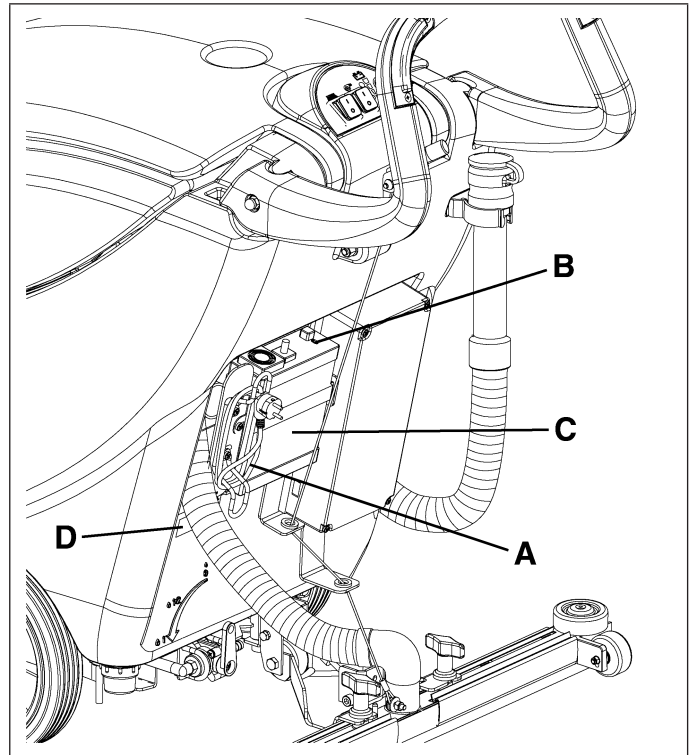


Figure 31

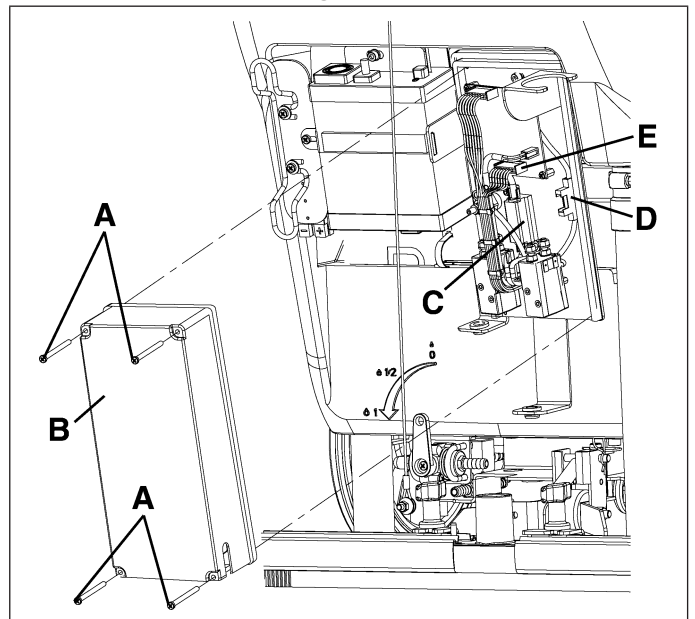


Figure 32

Vantage 17 Battery ACCESSORIES/OPTIONS

In addition to the standard components, the machine can be equipped with the following accessories/options, according to the machine specific use:

For further information concerning the above-mentioned optional accessories, contact an authorized Retailer.

ACCESSORIES/OPTIONS

See "Parts List" section.

909 5691 000 Brush, 17" Midlite Grit 180

L08812891 Brush, 17" Poly

909 5695 000 Pad Holder 410

HOW TO CORRECT PROBLEMS IN THE MACHINE

PROBLEM	POSSIBLE CAUSE	ACTION
The motors do not work.	Disconnected or dirty battery terminals.	Connect or clean the battery terminals.
	Completely discharged batteries.	Charge the batteries.
The warning lights flashes simultaneously.	The brush motors are overloaded.	Use less aggressive brushes.
	There are foreign materials (tangled threads, etc.) preventing the brushes from rotating.	Clean the brush hubs.
Vacuum motor does not run.	Blown fuse.	Replace the fuse.
Insufficient recovery water vacuuming.	Full recovery tank.	Empty the tank.
	Clogged vacuum grid or stuck closed float.	Clean the vacuum grid and the float.
	Vacuum hose disconnected from the squeegee or faulty.	Connect or repair/replace it.
	Dirty squeegee, or worn or damaged squeegee blades.	Clean the squeegee or replace the blades.
	Improperly closed recovery tank cover or worn gasket or clogged vent hole.	Correctly close the cover or replace the gasket or clean the vent hole.
Insufficient solution flow to the brushes.	Dirty solution filter.	Clean the filter.
	Clogged recovery tank output hole.	Clean the hole.
The squeegee leaves lining on the floor streaks.	Debris under the squeegee blades.	Remove the debris.
	Worn, chipped or torn squeegee blades.	Replace the blades.

LEA ESTE LIBRO

Contiene información importante para el uso correcto y seguro de la máquina. Lea este libro completamente antes de arrancar la máquina o hacer cualquier operación de mantenimiento. Si no siga las instrucciones, corre el peligro de herirse o causar lesiones al personal, o causar daños importantes a la máquina o a su entorno. Antes de usar la máquina, es indispensable seguir una formación. Si Usted (o el operador) no habla español, solicite (o proporcionele) todas las informaciones necesarias. El libro está traducido en otros idiomas. Todas las indicaciones de dirección dadas en este libro están dadas desde la posición del operador en la parte de atrás de la máquina. Puede Ud. conseguir libros suplementarios dirigiéndose a su distribuidor Clarke.

INDICE

Libro de Instrucciones 1

INSTRUCCIONES DE SEGURIDAD PARA EL OPERADOR 25

 CONSERVACIÓN DEL MANUAL 27

 DATOS DE IDENTIFICACIÓN 27

 MODIFICACIONES Y MEJORAS 27

 DESEMBALAJE 27

DATOS TÉCNICOS 27

PROCEDIMIENTOS PARA EL TRANSPORTE 28

SIMBOLOS 29

DESCRIPCIÓN DE LA MÁQUINA 30

 ESTRUCTURA EXTERIOR 30

 ESTRUCTURA INTERNA 31

 PANEL DE CONTROL Y MANDOS 32

USO 33

 CONTROL/PREPARACIÓN BATERÍAS EN LA MÁQUINA NUEVA 33

 AJUSTE DEL TIPO DE BATERÍAS (WET O GEL), INSTALACIÓN Y CARGA 34

 ANTES DE LA PUESTA EN MARCHA DE LA MÁQUINA 35

 PUESTA EN MARCHA Y PARADA DE LA MÁQUINA 36

 MÁQUINA EN FUNCIÓN (LAVADO/SECAMIENTO) 37

 TRANSPORTE/ESTACIONAMIENTO DE LA MÁQUINA 37

 VACIADO DE LOS DEPÓSITOS 38

 DESPUÉS DE LA UTILIZACIÓN DE LA MÁQUINA 38

 REMOCIÓN DEL DEPÓSITO DEL AGUA DE RECUPERACIÓN 39

 PERIODO DE LARGA INACTIVIDAD DE LA MÁQUINA 39

MANTENIMIENTO 40

 ESQUEMA DE MANTENIMIENTO PROGRAMADO 40

 LIMPIEZA DE LA BOQUILLA 41

 CONTROL/SUSTITUCIÓN DE LOS CAUCHOS DE LA BOQUILLA 41

 LIMPIEZA DEL CEPILLO 42

 LIMPIEZA DE LOS DEPÓSITOS Y DE LA REJILLA DE ASPIRACIÓN CON FLOTADOR 42

 LIMPIEZA DEL FILTRO DE LA SOLUCIÓN DETERGENTE 43

 AJUSTE DE LA VELOCIDAD DE MARCHA DE LA MÁQUINA 43

 CARGA DE LAS BATERÍAS 44

 CONTROL/SUSTITUCION FUSIBLES 44

ACCESORIOS/OPCIONES, Vantage 17 Bateria 45

BÚSQUEDA AVERÍAS Y SOLUCIONES 45

Parts List 69

INSTRUCCIONES DE SEGURIDAD PARA EL OPERADOR



¡PELIGRO!

Indica un peligro con riesgo, incluso mortal, para el operador.



¡ATENCIÓN!

Se usa para indicar el riesgo de infortunios para las personas o daños para las cosas.



¡ADVERTENCIA!

Indica una advertencia o una nota sobre una función importante o útil. Tener cuidado de las partes del texto marcadas con este símbolo.



NOTA

Indica una nota sobre una función importante o útil.



CONSULTAS

Indica la necesidad de consultar el manual antes de efectuar cualquier operación.



¡PELIGRO!

- **Sólo el personal calificado y autorizado puede utilizar esta máquina. Los niños y los minusválidos no pueden utilizar esta máquina.**
- **Si se usan baterías de plomo (WET), cargando las baterías se produce gas hidrógeno muy explosivo. Quitar el conjunto del depósito del agua de recuperación durante las operaciones de carga de las baterías y efectuar la carga solo en áreas muy bien ventiladas y lejos de llamas libres. No fumar cuando se cargan las baterías.**
- **Si se usan baterías de plomo (WET), tener chispas, llamas y materiales incandescentes lejos de las baterías. Durante el uso normal pueden salir gases explosivos.**
- **No activar la máquina en un ambiente donde haya polvo, líquidos o vapores nocivos, peligrosos, inflamables y/o explosivos.**
- **Desconectar las baterías antes de efectuar cualquier operación de mantenimiento/reparación.**
- **Quitarse las joyas cuando se trabaja cerca de los componentes eléctricos.**

**¡ATENCIÓN!**

- *Antes de conectar el cargador de baterías a la red eléctrica, asegurarse de que la frecuencia y la tensión indicadas en el manual relacionado coincidan con la tensión de la red.*
- *No recargar las baterías de la máquina si el cable del cargador de baterías o el enchufe están dañados. Si la máquina no funciona correctamente, está dañada, quedada al exterior o bañada, llevarla a un Centro de asistencia.*
- *No tirar o transportar la máquina por el cable del cargador de baterías; no utilizar el cable como empuñadura. No cerrar el cable en una puerta o tirarlo sobre bordes o ángulos afilados. No atropellar el cable del cargador de baterías con la máquina.*
- *Tener el cable del cargador de baterías lejos de superficies calientes.*
- *Para reducir el riesgo de incendio, electrochoque o lesiones, no dejar la máquina conectada a la red eléctrica cuando está sin custodia.*
- *Para evitar electrochoque, no exponer la máquina a la lluvia. Guardar la máquina en un lugar cubierto.*
- *No dejar la máquina sin custodia y sin haberse asegurado que no pueda moverse de forma autónoma.*
- *Proteger siempre la máquina del sol, lluvia y otras intemperie, tanto durante el funcionamiento como durante los períodos de inactividad. Almacenar la máquina en un lugar cerrado y seco: esta máquina sólo se puede usar en seco y no se debe usar o tener al exterior en condiciones de humedad.*
- *Antes de usar la máquina, cerrar todos los portillos y/o las tapas.*
- *No permitir que la máquina se utilice como un juguete. Tener mucho cuidado cuando se utiliza cerca de niños.*
- *No utilizar con finalidades diferentes de aquellas indicadas en este manual. Utilizar sólo accesorios recomendados por el fabricante.*
- *Tomar todas las precauciones necesarias para que el pelo, las joyas y las ropas no sean capturados por los componentes móviles y de admisión de la máquina.*
- *No dejar la máquina sin custodia y sin haberse asegurado que la máquina no pueda moverse de forma autónoma.*
- *No dejar que material extraño entre en las aperturas. No utilizar la máquina en el caso de que las aperturas estén bloqueadas; las aperturas deben mantenerse libre de polvo, hilacha, pelos y cualquier otro cuerpo extraño que pueda reducir el flujo de aire.*
- *Cuando se utiliza esta máquina, tener cuidado de salvaguardar la incolumidad de las personas.*
- *No utilizar la máquina en ambientes demasiado polvorientos.*
- *No apoyar contenedores de líquidos sobre la máquina.*
- *La temperatura de la máquina en trabajo debe estar entre los +32°F y los +104°F (0°C y los +40°C).*
- *La temperatura de almacenamiento debe estar entre los +32°F y los +104°F (0°C y los +40°C).*
- *La humedad debe estar entre el 30% y el 95%.*
- *Cuando se usan detergentes, seguir las instrucciones y advertencias indicadas en las etiquetas de los frascos.*
- *Cuando se usan detergentes, usar guantes y protecciones adecuadas.*
- *No utilizar la máquina como vehículo de transporte.*
- *No usar la máquina sobre pendientes.*
- *No permitir que el cepillo funcione mientras la máquina está parada en un punto para evitar posibles daños al suelo.*
- *No chocar contra estanterías o andamios de los que puedan caer objetos.*
- *No adulterar por ninguna razón la máquina, respetar las instrucciones previstas para el mantenimiento ordinario.*
- *No quitar ni modificar las placas que el fabricante ha colocado sobre la máquina.*
- *En caso de incendio utilizar un extintor de polvo, no de agua.*
- *Para asegurar condiciones de funcionamiento correcto y seguro, el personal autorizado o el Centro de asistencia autorizado debe llevar a cabo las reparaciones y el mantenimiento programado según las especificaciones indicadas en el capítulo relacionado de este manual.*
- *Si deben sustituirse piezas, solicitar piezas de repuesto ORIGINALES a un Concesionario y/o Revendedor autorizado.*
- *No lavar la máquina con chorros de agua directa o presurizada, o con sustancias corrosivas.*
- *Nunca se debe abandonar la máquina al final del ciclo vital, por la presencia de materiales tóxicos y dañinos (baterías, tarjetas electrónicas, etc.) sujetos a normativas que exigen que se realice la eliminación en centros especiales (véase el capítulo Eliminación).*
- *Tener cuidado durante el traslado de la máquina en condiciones de temperatura muy baja. El agua en el depósito de recuperación o en los tubos, podría congelarse y dañar la máquina.*
- *Utilizar sólo los cepillos y los fieltros suministrados con la máquina y aquellos especificados en el Manual de uso. Utilizar otros cepillos o fieltros puede perjudicar la seguridad.*
- *Esta máquina está equipada con baterías de plomo. Eliminar las baterías según las normas actuales.*

INTRODUCCIÓN

El modelo Vantage 17 Batería de las fregadoras/secadoras Clarke es una máquina eficaz y de calidad superior para la limpieza de los suelos. El modelo Vantage 17 Batería utiliza un cepillo rotativo de 17.0 in (430 mm) de anchura. Una boquilla trasera limpia el suelo y un sistema de aspiración recupera el agua de lavado del suelo, todo en una pasada.

CONSERVACIÓN DEL MANUAL

Este Manual de uso debe conservarse junto a la máquina, dentro de su contenedor, lejos de líquidos y otras sustancias que podrían dañarlo.

DATOS DE IDENTIFICACIÓN

El número de serie y el modelo de la máquina están marcados en la placa que se puede leer desde el exterior. (A, Fig. 2 - pág. 36). El año de fabricación de la máquina está indicado por las dos primeras cifras del número de serie de la máquina misma. Esta información es necesaria cuando se pidan piezas de repuesto para la máquina. Utilizar el espacio subyacente para escribir los datos de identificación de la máquina para todas referencias futuras.

Modelo MAQUINA
Número de serie MÁQUINA

MODIFICACIONES Y MEJORAS

Nuestra empresa está constantemente mejorando sus productos y se reserva el derecho de realizar modificaciones y mejoras a su discreción, sin verse obligada a aplicar dichas ventajas a las máquinas vendidas previamente. Sólo el fabricante puede aprobar y efectuar cualquier modificación y/o instalación de accesorios.

DESEMBALAJE

Para desembalar la máquina seguir cuidadosamente las instrucciones colocadas sobre el embalaje.

Al momento de la entrega, controlar atentamente el embalaje y la máquina por si hayan sufrido daños durante el transporte. Si los daños son evidentes, conservar el embalaje, de forma que el transportista que lo ha entregado lo pueda inspeccionar. Contactarlo de inmediato para compilar una indemnización daños y perjuicios.

Controlar que la máquina sea entregada junto a los siguientes componentes:

1. Documentación técnica:
 - Manual de uso de la fregadora/secadora
 - Manual del cargador de baterías electrónico
2. Fusible de 40 A
3. Paneles de las baterías

DATOS TÉCNICOS

Modelo	Vantage 17 Batería
Tensión de funcionamiento	24 V
Baterías estándar (cantidad: 2)	12V - 86 Ah, de GEL
Velocidad de tracción	Aquella determinada por la rotación del cepillo
Protección de las baterías	Parada de la rotación del cepillo y de la aspiración con baja tensión
Motor de aspiración	0.5 hp (370 W)
Depresión del sistema de aspiración	41.5 pulgadas H ₂ O (1,055 mm H ₂ O)
Capacidad del depósito de la solución detergente	8.2 galones (31 litros)
Flujo de la solución detergente (mín./máx.)	0.08/0.26 galones/min (0.3/1.0 litros/min)
Capacidad del depósito del agua de recuperación	7.7 galones (29 litros)
Boquilla	Derecho
Anchura de la boquilla	28.3 pulgadas (720 mm)
Anchura de barrido	17.0 pulgadas (430 mm)
Motor cepillo/filtro	0.7 hp (520 W)
Diámetro del cepillo/filtro	17 pulgadas (430 mm)
Velocidad de rotación del cepillo/filtro	135 rpm
Presión al suelo del cepillo/filtro (con depósito lleno)	50.6 lbs (23 kg)
Diámetro de las ruedas centrales en eje fijo	9.8 pulgadas (250 mm)
Diámetro rueda directriz	1.9 pulgadas (49 mm)
Presión específica al suelo de las ruedas traseras	145 psi (1,0 N/mm ²)
Presión específica al suelo de las ruedas delanteras	275.5 psi (1,9 N/mm ²)
Cargador de baterías a bordo	24 V D.C., 8 Amp., 115-230 V, 50-60 Hz
Inclinación máxima de los suelos	2 %
Largura de la máquina	43.9 pulgadas (1,115 mm)
Anchura de la máquina sin boquilla	22.4 pulgadas (570 mm)
Altitud de la máquina	41.4 pulgadas (1,050 mm)
Peso máquina con baterías, cepillo y depósito de la solución detergente lleno (condición de trabajo)	346.1 lbs (157 kg)
Presión sonora a la oreja del operador (ISO 11201, ISO 4871) (LpA)	65 dB(A) ± 3dB(A)
Potencia sonora de la máquina (ISO 3744, ISO 4871) (LwA)	89 dB(A)
Nivel de vibraciones transmitidas a los brazos del operador (ISO 5349-1)	< 98.4 in/s ² (< 2,5 m/s ²)
Dimensiones del compartimiento de las baterías (largura x anchura x altura)	13.8 x 13.8 x 10.2 pulgadas (350 x 350 x 260 mm)

PROCEDIMIENTOS PARA EL TRANSPORTE

Como cargar y descargar la máquina de una furgoneta o de un autocamión



¡ATENCIÓN!

La máquina es pesada. El desplazamiento de la máquina debe ser efectuado por personal experto. El desplazamiento de la máquina sobre rampas o zonas inclinadas debe ser efectuado por dos personas expertas. Moverla siempre despacio. No girar la máquina (doblar) sobre rampas. No dejar la máquina parada sobre rampas o zonas inclinadas. Las rampas de carga deben ser anchas al menos 40 pulgadas (1 metro).

1. Controlar que la rampa de carga no sea más larga que 8 pies (2,5 metros), que no sea menos ancha que 40 pulgadas (1 metro) y que tenga un espesor adecuado para sostener el peso de la máquina y de las personas que la mueven.
2. Controlar que la rampa esté seca y limpia.
3. Posicionar la rampa correctamente.
4. Quitar el conjunto boquilla y el cepillo/portafiltro antes de cargar la máquina. Clarke recomienda vaciar los depósitos de la solución detergente y del agua de recuperación antes de cargar la máquina.

Como bloquear la máquina al interior del vehículo

5. Clarke recomienda bloquear la máquina con correas durante el transporte.

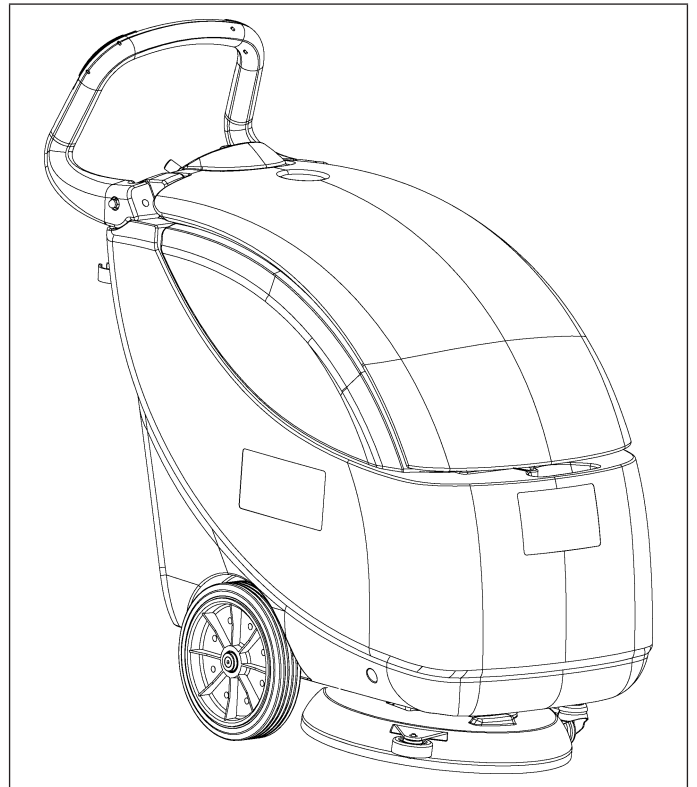
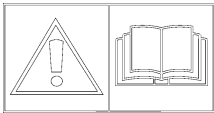


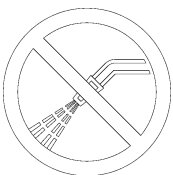
Figure 1

SIMBOLOS



¡ATENCIÓN!

Antes de efectuar cualquier operación en la máquina, leer cuidadosamente las instrucciones de la máquina misma.



¡ATENCIÓN!

No lavar la máquina con chorros de agua directa o presurizada.



¡ATENCIÓN!

No abrir la tapa por peligro eléctrico

DESCRIPCIÓN DE LA MÁQUINA

ESTRUCTURA EXTERIOR

(Véase Fig. 2)

- | | |
|--|--|
| <ul style="list-style-type: none"> A. Placa número de serie/datos técnicos/marcación de conformidad B. Manillar C. Panel de control y mandos D. Palanca de ajuste del flujo de la solución detergente E1. Posición ECO del flujo de la solución detergente E2. Posición de flujo máximo de la solución detergente F. Tapa del depósito del agua de recuperación G. Rueda trasera para apoyo en fase de transporte/estacionamiento H. Ruedas centrales en eje fijo I. Cepillo o portafiltro con fieltro J. Cobertura/cepillo/portafiltro K. Boquilla L. Empuñaduras de fijación de la boquilla a la máquina M. Caucho delantero de la boquilla N. Caucho trasero de la boquilla O. Resortes de fijación de los cauchos de la boquilla P. Tubo de descarga del agua de recuperación Q. Soporte del tubo de descarga del agua de recuperación | <ul style="list-style-type: none"> R. Válvula de descarga de la solución detergente S. Palanca de subida/bajada de la boquilla T. Filtro de la solución detergente U. Cable del cargador de baterías V. Tubo de aspiración de la boquilla W. Dispositivo de transporte/estacionamiento de la máquina W1. Dispositivo de transporte/estacionamiento de la máquina activado W2. Dispositivo de transporte/estacionamiento de la máquina desactivado X. Clavija de posicionamiento del dispositivo de transporte/estacionamiento de la máquina Y. Caja componentes eléctricos Z. Cargador de baterías AA. Indicadores luminosos del cargador de baterías AB. Esquema de instalación de las baterías AC. Depósito del agua de recuperación AD. Depósito de la solución detergente |
|--|--|

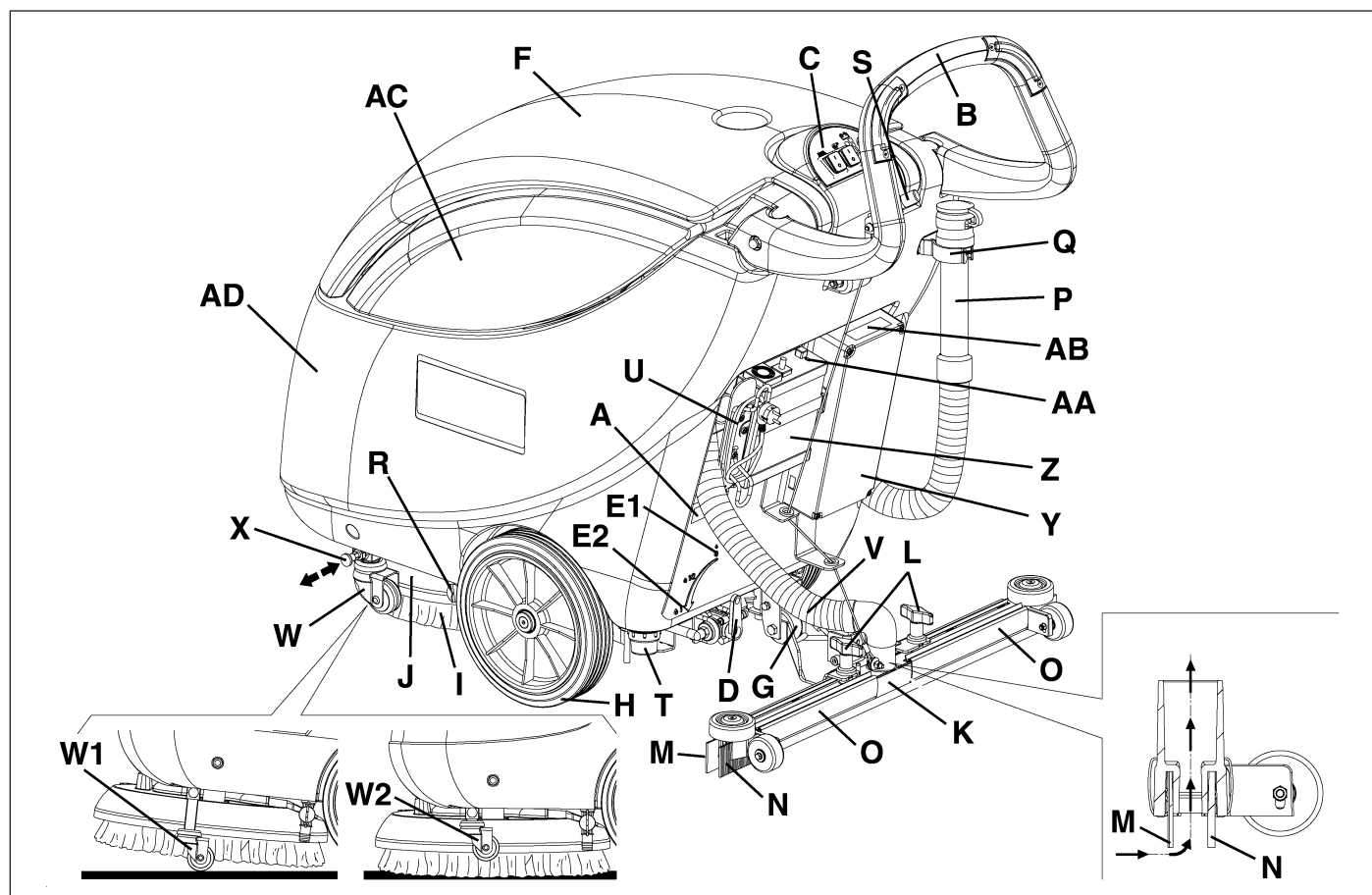


Figure 2

ESTRUCTURA INTERNA

(Véase Fig. 3)

- | | | | |
|----|---|----|--|
| A. | Tapa del depósito del agua de recuperación (abierta) | J. | Baterías |
| B. | Guarnición de la tapa del depósito del agua de recuperación | K. | Esquema de instalación de las baterías |
| C. | Soporte de la tapa (insertado) | L. | Cobertura con mango de enganche para cepillo/portafiltro |
| D. | Depósito del agua de recuperación | M. | Tornillo de ajuste de la velocidad de marcha de la máquina |
| E. | Depósito de la solución detergente | N. | Cepillo |
| F. | Rejilla de aspiración con cierre automático de flotador | O. | Portafiltro |
| G. | Orificio de drenaje del agua de recuperación | P. | Filtro |
| H. | Motor de aspiración | Q. | Orificio de ventilación |
| I. | Motor del cepillo/filtro | | |

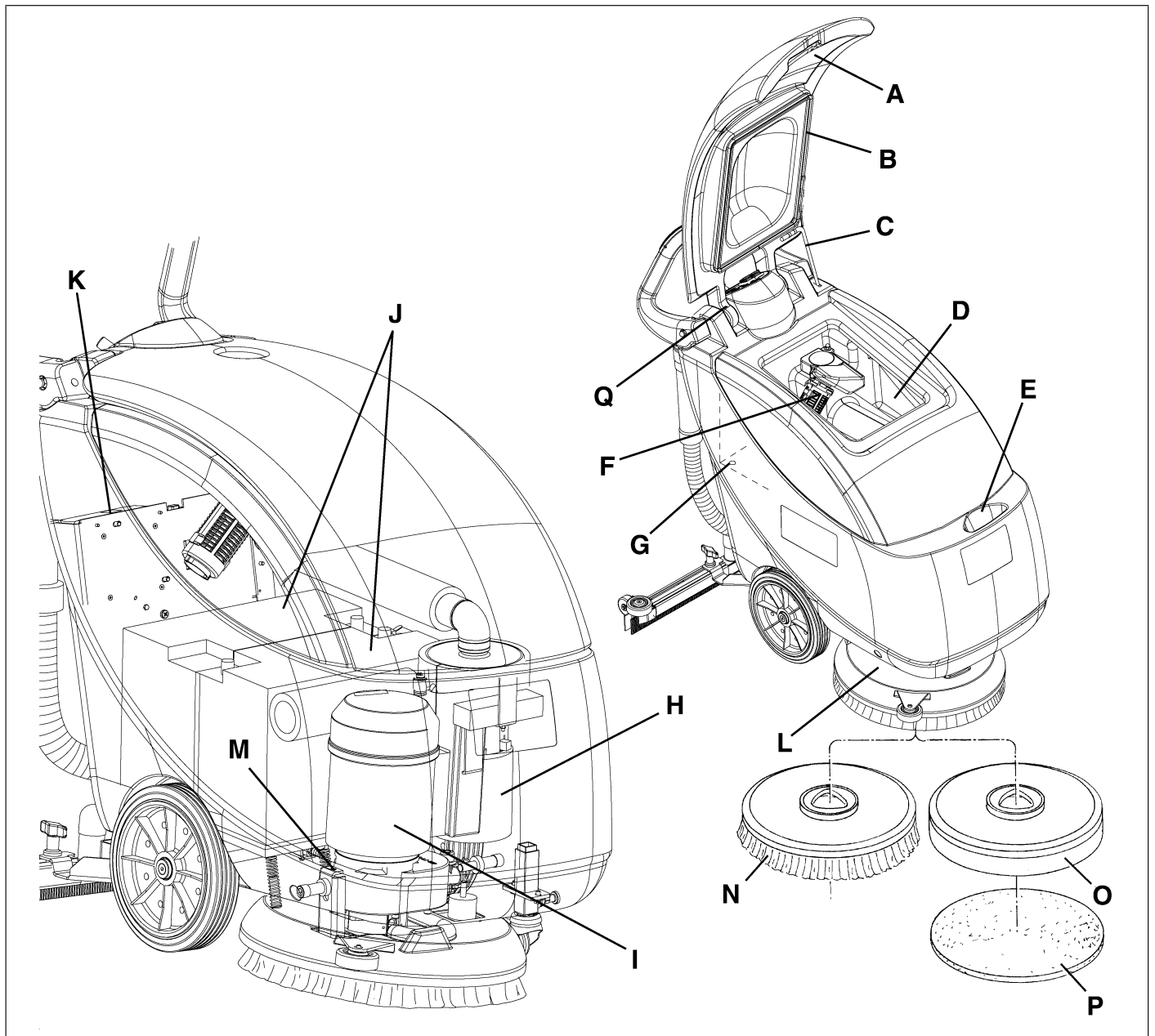


Figure 3

PANEL DE CONTROL Y MANDOS

(Véase Fig. 4)

Indicador luminoso de baterías cargadas (verde) (A, Fig. 4)

Cuando está encendido indica que las baterías están cargadas.

Indicador luminoso de baterías casi descargadas (amarillo) (B, Fig. 4)

Cuando está encendido indica que las baterías están casi descargadas.

Indicador luminoso de baterías descargadas (rojo) (C, Fig. 4)

Cuando está encendido indica que las baterías están descargadas. No insistir en utilizar la máquina para no dañar las baterías, sino efectuar la carga de las baterías (véase el procedimiento en el capítulo "Mantenimiento").

Interruptor de rotación del cepillo/filtro (D, Fig. 4)

Cuando está en posición "1" la máquina está lista para la rotación del cepillo/filtro. Para activar la rotación del cepillo/filtro, es necesario mantener pulsados uno o ambos los interruptores de consenso (F, Fig. 4).

Cuando está en posición "0" la predisposición para la rotación del cepillo/filtro está desactivada.

Interruptor de aspiración (E, Fig. 4)

Si es llevado a la posición "1" activa la aspiración del agua de recuperación.

Si es llevado a la posición "0" para la aspiración del agua de recuperación.

Interruptores de consenso de la rotación de los cepillos (F, Fig. 4)

Cuando se pulsa uno o ambos los interruptores de consenso, se activa la rotación del cepillo/filtro.

Los interruptores están activados sólo cuando el interruptor (D, Fig. 4) de rotación del cepillo/filtro está en posición "1".

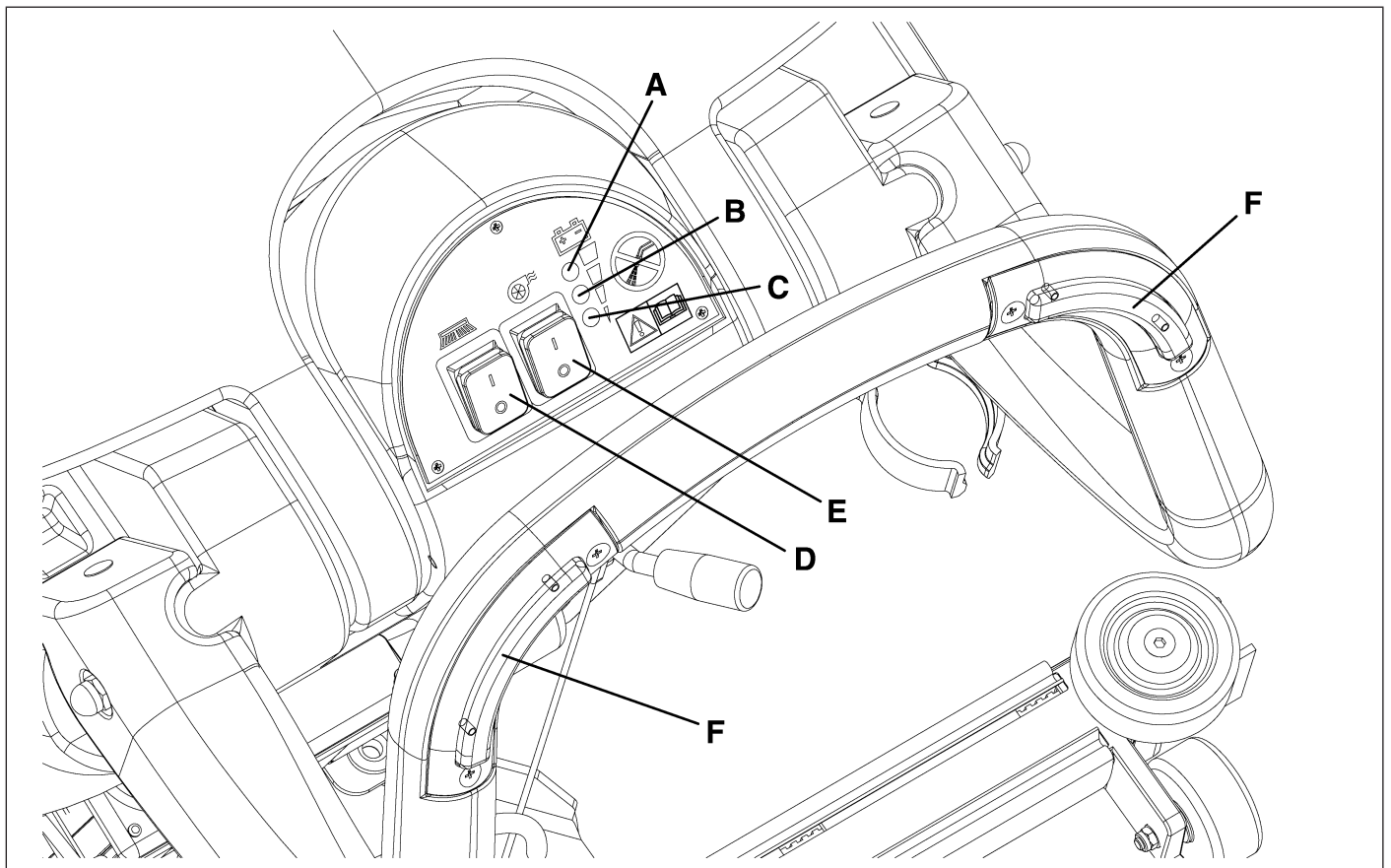


Figure 4

USO



¡ATENCIÓN:

En unas partes de la máquina hay unas placas adhesivas que indican:

- PELIGRO
- ATENCIÓN
- ADVERTENCIA
- INFORMACIONES

Leyendo este manual, el operador tiene que aprender el sentido de los símbolos indicados en las placas.

Por ninguna razón estas placas deben cubrirse y si están dañadas tienen que sustituirse de inmediato.

CONTROL/PREPARACIÓN BATERÍAS EN LA MÁQUINA NUEVA



¡ATENCIÓN!

Si no se instalan correctamente las baterías, los componentes eléctricos de la máquina podrían dañarse. Sólo el personal calificado puede efectuar la instalación de las baterías.

Antes de la instalación, controlar si las baterías están dañadas.

Desplazar las baterías con mucho cuidado.

Instalar las tapas de protección de los terminales de las baterías, suministrados con la máquina.

La máquina es entregada con baterías de GEL instaladas y listas para ser utilizadas.

- Poner los interruptores de accionamiento del cepillo y de la aspiración (A y B, Fig. 6) en posición "I". Si el indicador luminoso verde (C) se enciende, las baterías están cargadas y pueden utilizarse.
- Si se encienden los indicadores luminosos (D o E, Fig. 6) es necesario cargar las baterías antes de usar la máquina (véase el capítulo "Mantenimiento").

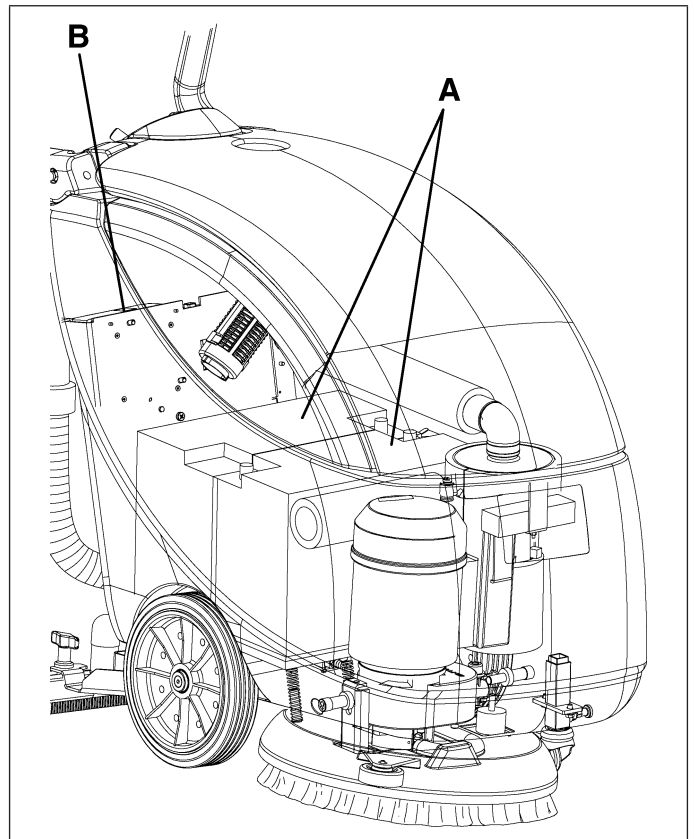


Figure 5

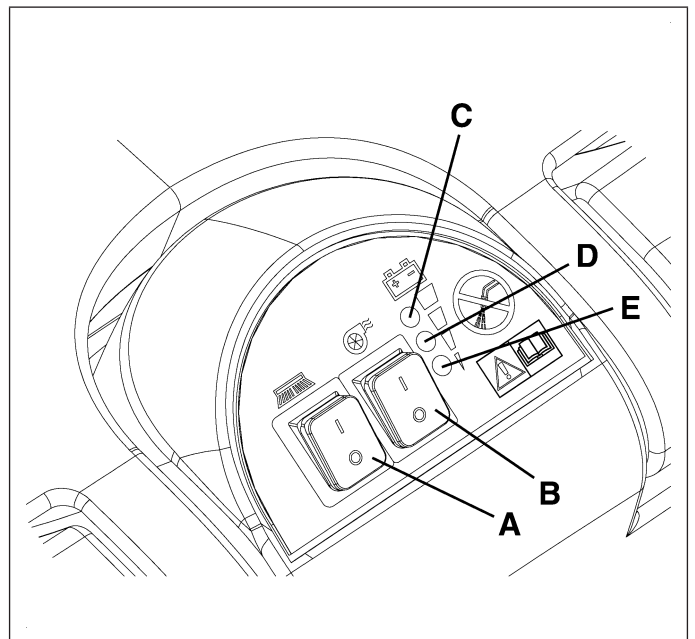


Figure 6

AJUSTE DEL TIPO DE BATERÍAS (WET O GEL), INSTALACIÓN Y CARGA

Según el tipo de baterías instaladas, de plomo (WET) o de gel (GEL) efectuar la regulación de la tarjeta electrónica de la máquina llevando a cabo los siguientes procedimientos.

Ajuste de la máquina

1. La regulación en fábrica de la máquina es para baterías de GEL; si esta regulación corresponde al tipo de baterías compradas, pasar al paso 5. En caso contrario, llevar a cabo los pasos 2, 3 y 4.
2. Desenroscar los tornillos (A, Fig. 7) y quitar con cuidado la tapa (B) de la caja de los componentes eléctricos.
3. Poner el microinterruptor (C, Fig. 7) hacia abajo en posición WET.



¡ATENCIÓN!

No tocar/desplazar el interruptor adyacente (D, Fig. 7).

4. Reinstalar la tapa (B, Fig. 7) de la caja de los componentes eléctricos y enroscar los tornillos (A).

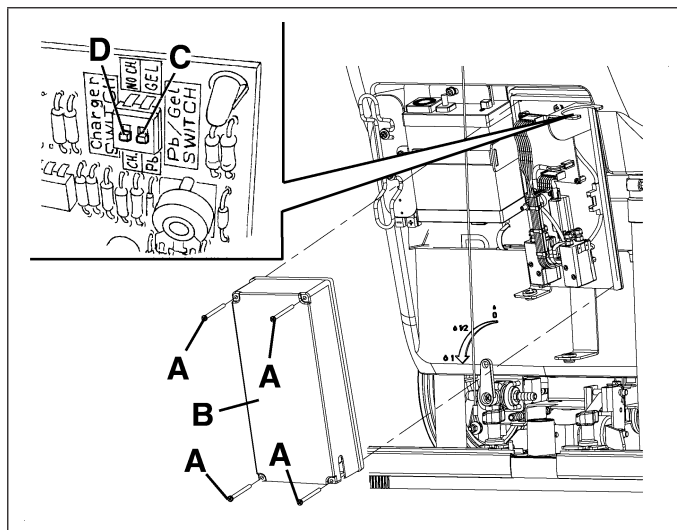


Figure 7

Instalación de las baterías

5. Desconectar el tubo de aspiración (A, Fig. 8) de la boquilla (B).
6. Desconectar el tubo de descarga del agua de recuperación (C, Fig. 8) del soporte (D).
7. Abrir la tapa (A, Fig. 9) e insertar el soporte (B) de la tapa.
8. Empujar el depósito del agua de recuperación (C, Fig. 9) en el área (D) y levantarlo ligeramente como muestra la figura. Desconectar el tubo de aspiración (E) del depósito, luego quitar el depósito (C) con los tubos (F) y (G).
9. Instalar las baterías en la máquina según el esquema (E, Fig. 8).
10. Remontar el depósito (9, Fig. C) llevando a cabo los puntos de 5 a 9 según el orden contrario.

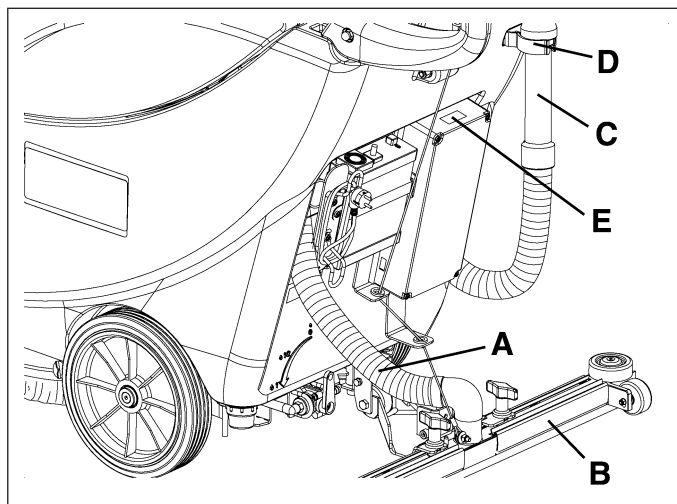


Figure 8

Carga de las baterías

11. Cargar las baterías (véase el párrafo “Mantenimiento”).

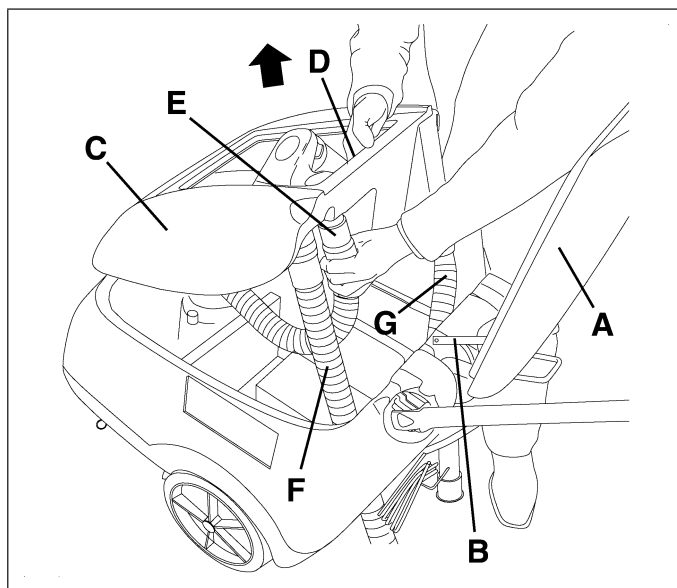


Figure 9

ANTES DE LA PUESTA EN MARCHA DE LA MÁQUINA

Antes de poner en marcha la máquina, efectuar las operaciones siguientes de preparación de la máquina o controlar si han sido efectuadas correctamente.

Instalación de la boquilla

1. Instalar la boquilla (A, Fig. 10) y fijarla con las empuñaduras (B), luego conectar el tubo de aspiración (C) a la boquilla.

Llenado del depósito de la solución detergente

2. Rellenar el depósito de la solución detergente (A, Fig. 11) con un detergente adecuado. No llenar completamente el depósito de la solución detergente, dejar unos centímetros del borde. Seguir las instrucciones indicadas en la etiqueta para la dilución del producto químico utilizado para componer la solución detergente. La temperatura de la solución detergente no debe superar los 100°F (40°C).



¡ADVERTENCIA!

Utilizar exclusivamente detergentes líquidos poco espumosos y no inflamables, que sean adecuados para este tipo de máquina.

Instalación del cepillo o del portafiltro



NOTA

En la máquina pueden instalarse tanto el cepillo (B, Fig. 11) como el portafiltro (C) con filtro (D), según el tipo de tratamiento de efectuar sobre el suelo.

3. Desactivar el dispositivo de estacionamiento (A, Fig. 12) de la máquina, llevándolo en posición (B) después de haber insertado la clavija relacionada (C).
 4. Levantar la cobertura del cepillo (D, Fig. 12) presionando sobre el manillar (E).
 5. Posicionar el cepillo (B, Fig. 11), o el portafiltro (C) con filtro (D), bajo de la cobertura.
 6. Bajar la cobertura (D, Fig. 12) sobre el cepillo/portafiltro mediante el manillar (E).
 7. Poner el interruptor (F, Fig. 12) del cepillo en posición "I", luego pulsar por algunos segundos uno o ambos los interruptores (G) para que el cepillo/portafiltro se enganche.
- Si es difícil enganchar, girar manualmente el cepillo/portafiltro en sentido antihorario (véase Fig. 13).

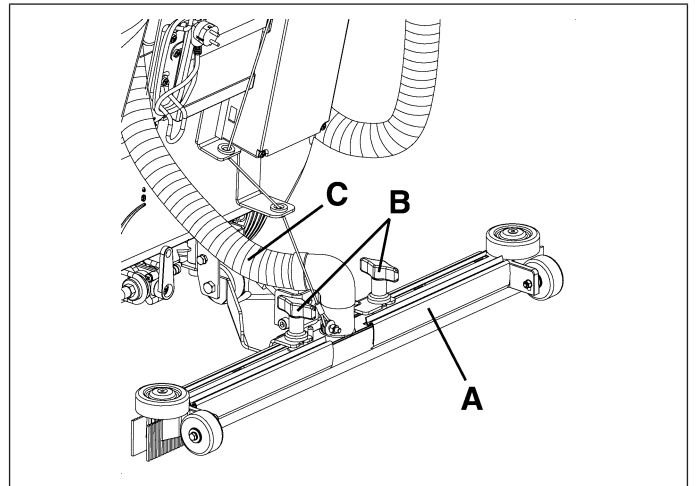


Figure 10

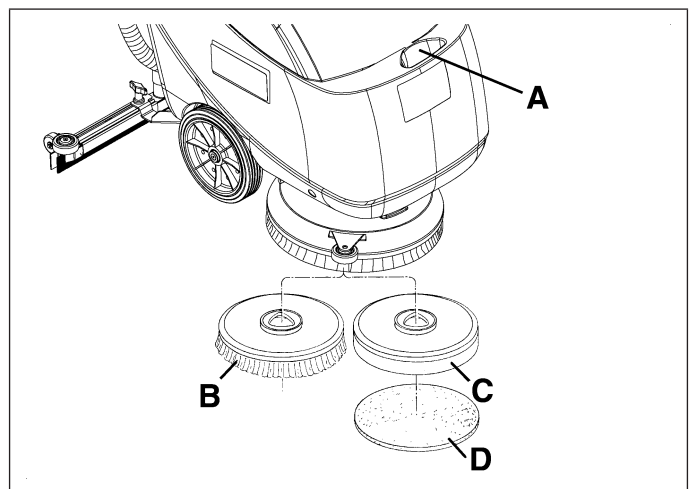


Figure 11

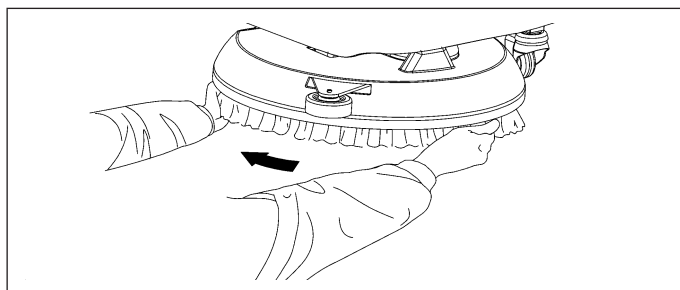


Figure 13

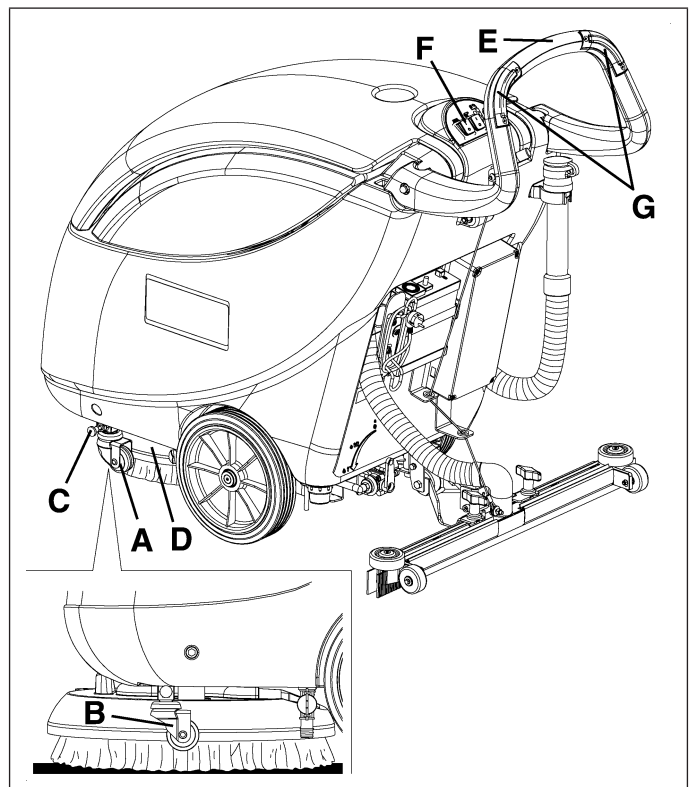


Figure 12

PUESTA EN MARCHA Y PARADA DE LA MÁQUINA

Puesta en marcha

1. Preparar la máquina como indicado en el párrafo anterior.
2. Bajar la boquilla (A, Fig. 15) empujando la palanca (B) hacia abajo.
3. Colocar la palanca de ajuste de flujo de la solución detergente (C, Fig. 15) en una de las siguientes posiciones posibles, según el tipo de lavado de efectuar:
 - Sistema ECO: llevando la palanca (C, Fig. 15) en la posición "ECO" (D), la máquina trabaja en una condición particular (economy) de utilización programada del agua; en efecto con un flujo predeterminado y constante, la máquina puede trabajar con una autonomía de limpieza de 70-80 minutos [0.08 galones/min (0.3 litros/min)].
 - Sistema variable: girando la palanca hacia la izquierda en la parte relacionada con el flujo variable, es posible aumentar el flujo hasta una capacidad máxima de 0.26 galones/min (1 litro/min), en correspondencia de la posición (E, Fig 15).
4. Poner los interruptores (A y B, Fig. 14) en posición "1".



NOTA

Si el indicador luminoso verde (C, Fig. 14) se enciende, la máquina puede utilizarse.

Si se enciende el indicador luminoso amarillo (D) o aquello rojo (E), es necesario efectuar la carga de las baterías (véase el capítulo "Mantenimiento").

5. Con las manos sobre el manillar (G, Fig. 15), poner en marcha la máquina apretando uno o ambos los interruptores de consenso (F).

Parada de la máquina

6. Soltar los interruptores (F, Fig. 15).
7. Poner los interruptores (A y B, Fig. 14) en posición "0".
8. Levantar la boquilla empujando la palanca hacia arriba hasta el tope (B, Fig. 15).
9. Poner el cepillo/filtro en posición de levantamiento, llevando el dispositivo de estacionamiento (A, Fig. 16) de la máquina en posición de activación (B) después de haber insertado la clavija relacionada (C).

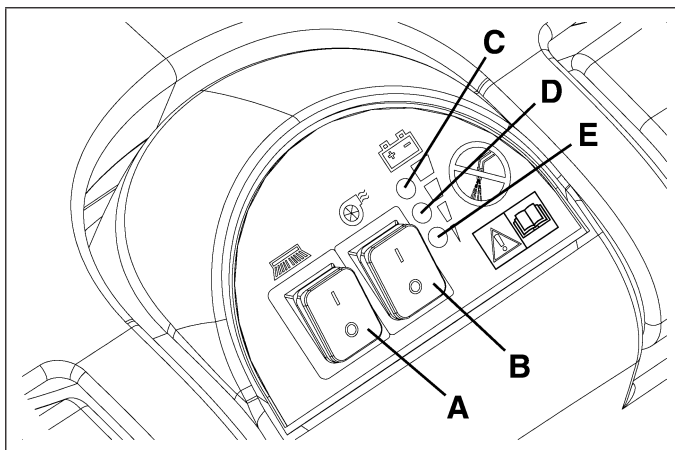


Figure 14

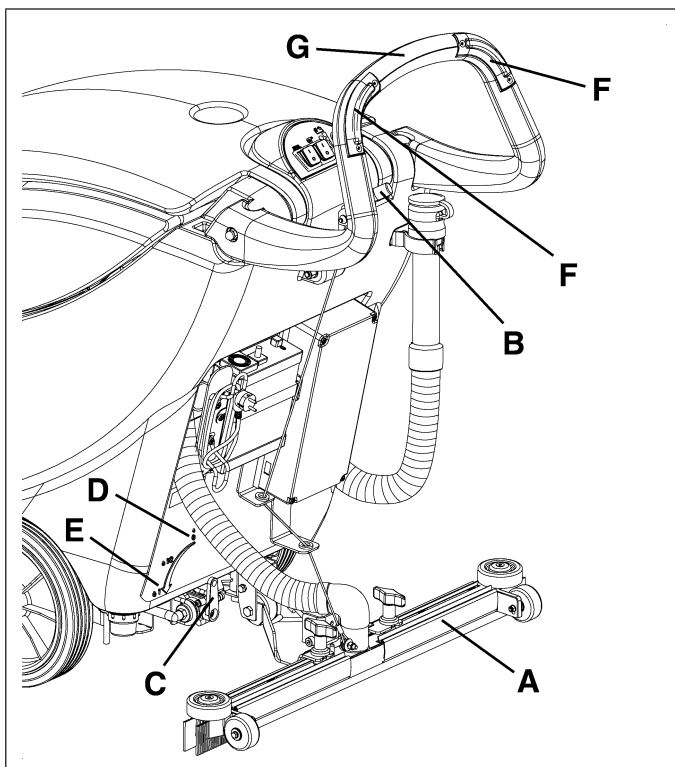


Figure 15

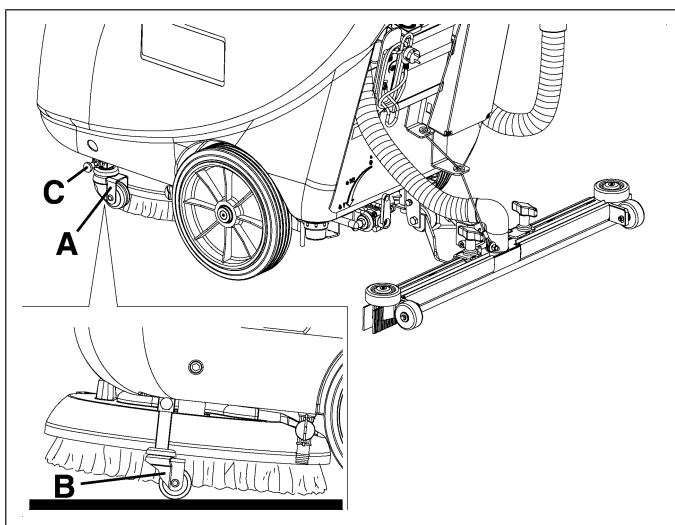


Figure 16

MÁQUINA EN FUNCIÓN (LAVADO/SECAMIENTO)

1. Poner en marcha la máquina como indicado en el párrafo anterior.
2. Teniendo ambas las manos sobre el manillar (D, Fig. 18), maniobrar la máquina y empezar el trabajo de lavado/secamiento del suelo.



¡ADVERTENCIA!

Para evitar que el suelo se dañe: **no utilizar el cepillo/filtro en seco cuando la máquina está parada, para la rotación del cepillo soltando los interruptores (A, Fig. 18).**



¡ADVERTENCIA!

Antes de levantar el cepillo/filtro, para su rotación soltando los interruptores (A, Fig. 18).

3. Si necesario, cambiar la cantidad de solución detergente que llega al cepillo/filtro mediante la palanca (B, Fig. 18).



NOTA

Para un correcto lavado/secamiento de los suelos en los bordes de las paredes, Clarke sugiere acercarse con el lado derecho de la máquina.



¡ADVERTENCIA!

En caso de sobrecarga del motor del cepillo/portafiltro, por causa de cuerpos extraños que obstaculizan el movimiento, o de suelos/cepillos demasiados agresivos, un sistema de seguridad bloquea el cepillo/portafiltro después de un minuto de sobrecarga continua.

La condición de sobrecarga se visualiza mediante el parpadeo simultáneo de tres indicadores luminosos (A, B, C, Fig. 17).

Si la sobrecarga persiste, el cepillo/portafiltro se bloquea.

Para empezar de nuevo el trabajo tras la parada del cepillo/portafiltro por causa de la sobrecarga, es necesario apagar la máquina llevando los interruptores del cepillo/portafiltro y del sistema de aspiración (D y E) en posición "0". Poner en marcha la máquina llevando los interruptores del cepillo/portafiltro y del sistema de aspiración (D y E) en posición "I".

Descarga de las baterías durante el trabajo

4. Hasta que el indicador luminoso verde (A, Fig. 17) se queda encendido, las baterías permiten el funcionamiento normal de la máquina.

Cuando el indicador luminoso verde (A) se apaga y se encienden en secuencia los indicadores luminosos amarillo (B) y rojo (C), es necesario cargar las baterías, porque la autonomía residual de funcionamiento de la máquina es mínima.



¡ADVERTENCIA!

Si se insiste en utilizar la máquina con las baterías descargadas, las baterías se pueden dañar y su vida útil se acorta.

Ajuste de la velocidad de marcha de la máquina

5. La velocidad de marcha de la máquina puede cambiar según el tipo de suelo y según la utilización del cepillo o del filtro.

Si necesario, es posible efectuar el ajuste de la velocidad de marcha; véase el procedimiento relacionado en el capítulo "Mantenimiento".

TRANSPORTE/ESTACIONAMIENTO DE LA MÁQUINA

Para el transporte/estacionamiento de la máquina cuando no está en actividad de lavado/secamiento, efectuar los procedimientos siguientes.

1. Poner los interruptores de rotación del cepillo y de aspiración (D y E, Fig. 17) en posición "0".
2. Levantar la boquilla girando la palanca (C, Fig. 18) hacia arriba.
3. Empuñar el manillar (A, Fig. 19) con las manos y bajarlo ligeramente hasta llevar la rueda trasera (B) en contacto con el suelo, como muestra la figura. Manteniendo la máquina en esta condición, empujarla en un lugar adecuado para el transporte/estacionamiento.

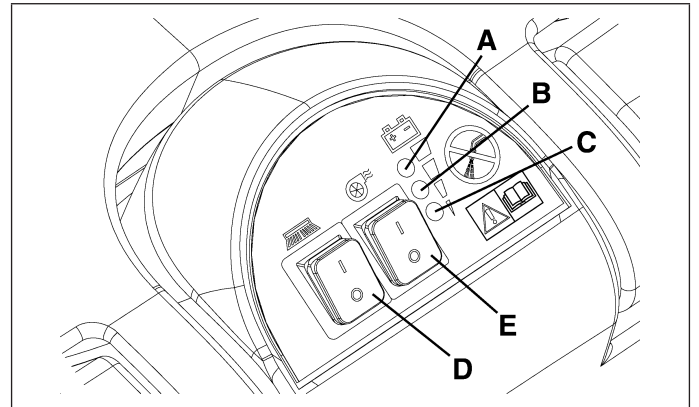


Figure 17

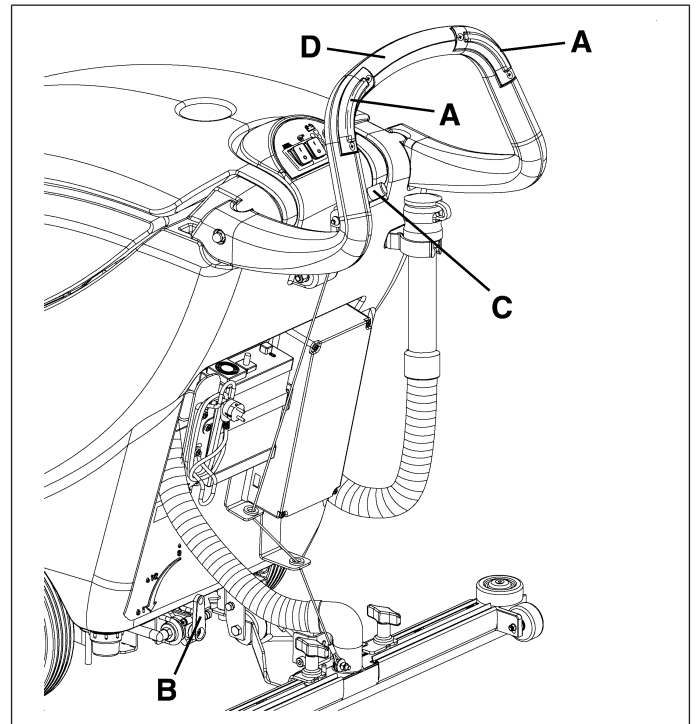


Figure 18

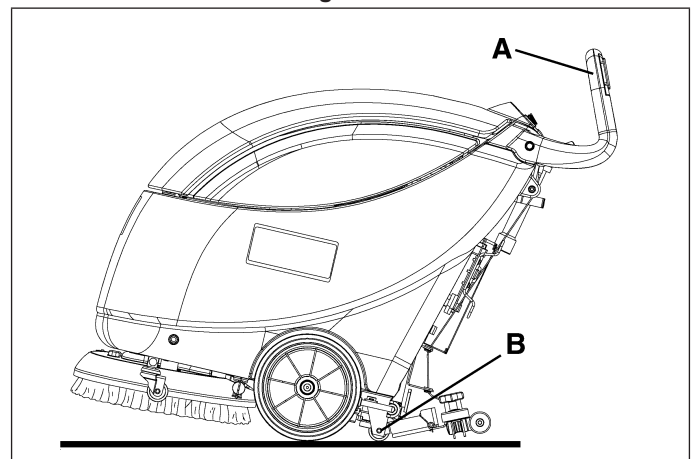


Figure 19

VACIADO DE LOS DEPÓSITOS

Un sistema de cierre automático de flotador (A, Fig. 20) bloquea el sistema de aspiración cuando el depósito de recuperación (B) está lleno.

Es posible darse cuenta del bloqueo del sistema de aspiración por causa del llenado del depósito del agua de recuperación porque la máquina no aspira más el agua de recuperación; además la frecuencia del ruido del motor de aspiración aumenta improvisamente.

Cuando el depósito del agua de recuperación (B, Fig. 20) está lleno, vaciarlo según el procedimiento siguiente.

Vaciado del depósito del agua de recuperación

1. Parar la máquina posicionando los interruptores cepillo y aspiración (A y B, Fig. 21) en posición "0".
2. Levantar la boquilla mediante la palanca (C, Fig. 21).
3. Llevar la máquina en el "Área de eliminación" designada.
4. Mediante el manillar, levantar el cepillo/filtro y insertar el dispositivo de estacionamiento (D, Fig. 21) de la máquina después de haber insertado la clavija (E).
5. Desenganchar el tubo de descarga del agua de recuperación (F, Fig. 21) del soporte (G), abrir la tapa (H), luego bajar el tubo (F) y vaciar el depósito del agua de recuperación. En caso de trabajo acabado, enjuagar el depósito con agua limpia.

Vaciado del depósito de la solución detergente

6. Llevar a cabo los pasos de 1 a 4.
7. Vaciar el depósito de la solución detergente abriendo la válvula de descarga (I, Fig. 21). En caso de trabajo acabado, enjuagar el depósito con agua limpia.

DESPUÉS DE LA UTILIZACIÓN DE LA MÁQUINA

Cuando el trabajo está acabado, antes de alejarse de la máquina:

1. Desenganchar el cepillo/portafiltro como sigue:
 - posicionar el interruptor del cepillo (A, Fig. 21) en posición "I"
 - con el cepillo/portafiltro en posición de levantamiento, pulsar por unos segundos uno o ambos los interruptores (J, Fig. 21), luego soltarlos: esta operación causa el desenganche del cepillo/portafiltro.
2. Vaciar los depósitos (B y C, Fig. 20), como indicado en el párrafo antecedente.
3. Efectuar las operaciones de mantenimiento necesarias después de la utilización de la máquina (véase el capítulo "Mantenimiento").
4. Tener la máquina en un lugar seco y limpio, con el cepillo/filtro y la boquilla levantados o desmontados.

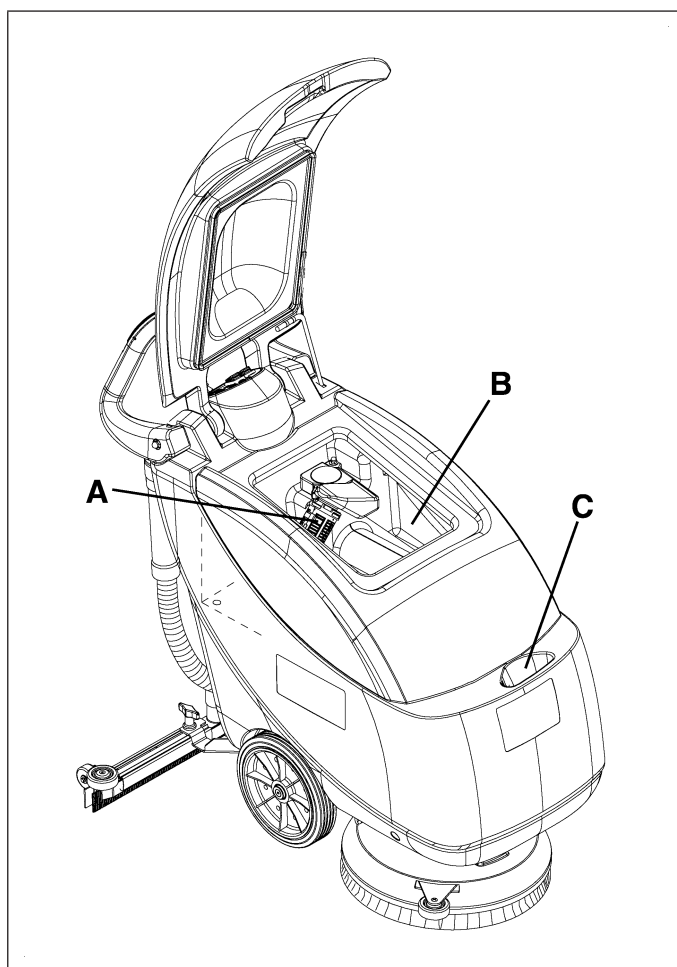


Figure 20

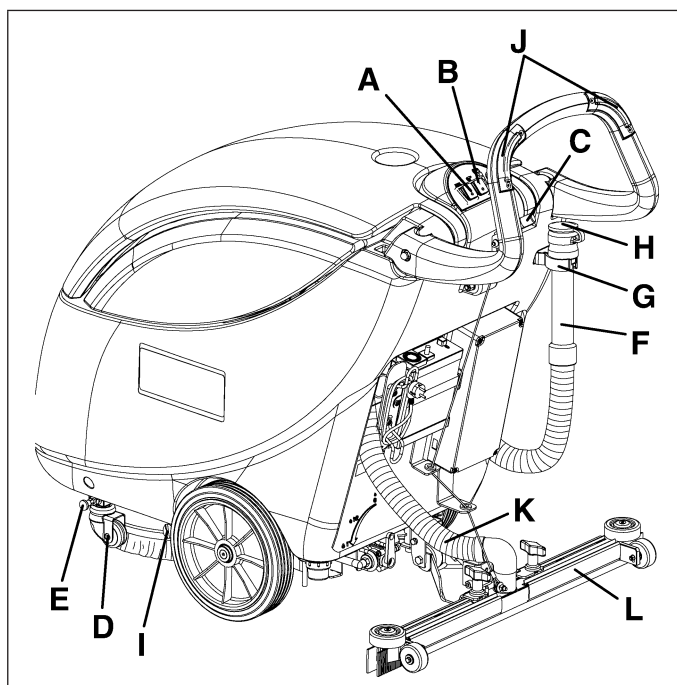


Figure 21

REMOCIÓN DEL DEPÓSITO DEL AGUA DE RECUPERACIÓN

Para controlar las baterías o para otras operaciones, puede ser necesario quitar el depósito del agua de recuperación (A, Fig. 23) mediante el procedimiento siguiente.

1. Vaciar el depósito (A, Fig. 23) como indicado en el párrafo específico.
2. Llevar la máquina sobre un suelo llano.
3. Controlar que los interruptores (A y B, Fig. 22) estén en posición "0".
4. Desconectar el tubo de aspiración (C, Fig. 22) de la boquilla (D).
5. Desconectar el tubo de descarga del agua de recuperación (E, Fig. 22) del soporte relacionado (F).
6. Abrir la tapa (B, Fig. 23) e insertar el soporte (C) de la tapa.
7. Empuñar el depósito del agua de recuperación (A, Fig. 23) en el área (D) y levantarlo ligeramente como muestra la figura.
8. Desconectar del depósito el tubo de aspiración (E, Fig. 23), luego quitar el depósito (A) junto a los tubos (F) y (G).

PERIODO DE LARGA INACTIVIDAD DE LA MÁQUINA

Si se piensa que la máquina no va a ser utilizada durante 30 días o más, seguir las indicaciones siguientes:

1. Llevar a cabo los procedimientos indicados en el párrafo "Después de la utilización de la máquina".
2. Desconectar los terminales negativos de las baterías tras haber quitado el depósito del agua de recuperación (A, Fig. 23) como indicado en el párrafo anterior.
3. Reinstalar el depósito del agua de recuperación (A, Fig. 23).
4. Tener la máquina en un lugar seco y limpio, con el cepillo/ filtro y la boquilla levantados o desmontados.

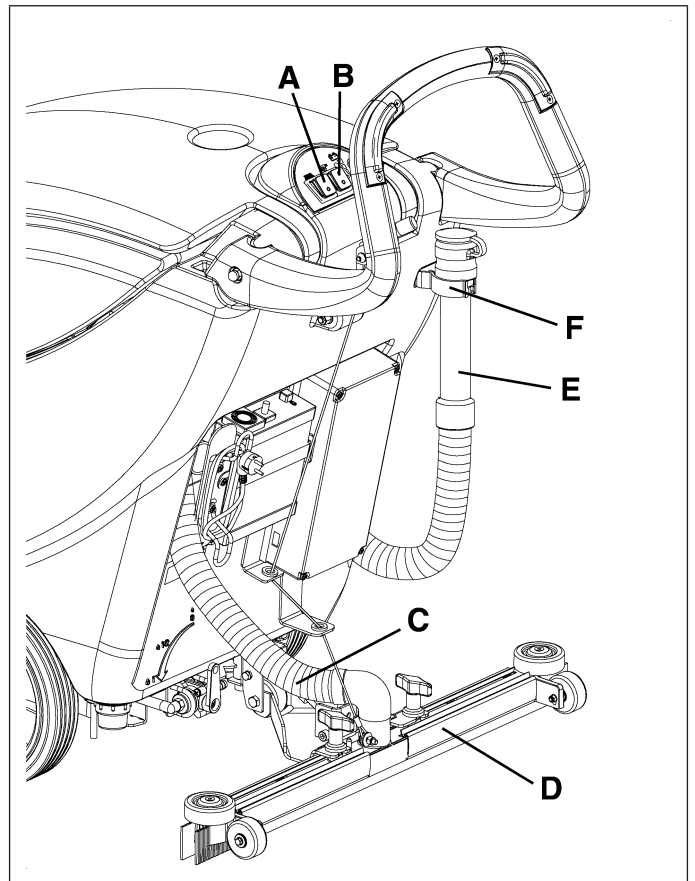


Figure 22

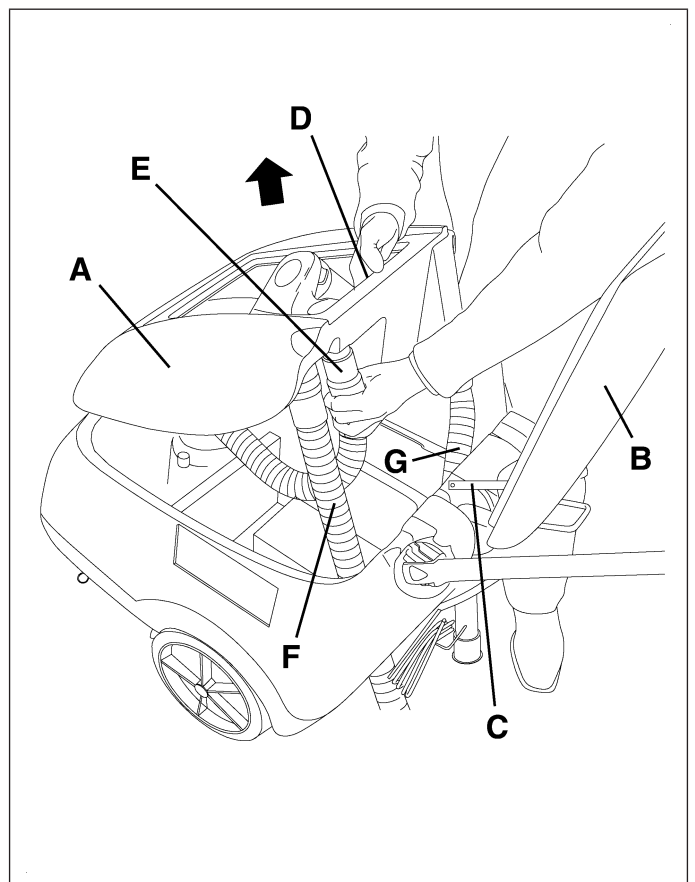


Figure 23

MANTENIMIENTO



¡ATENCIÓN!

Las operaciones de mantenimiento y reparación deben ser efectuadas sólo por personal autorizado o por un Centro de asistencia autorizado.



¡ATENCIÓN!

Las operaciones deben ser efectuadas:

- *con la máquina apagada*
- *con las baterías desconectadas*
- *con el cable eléctrico de conexión del cargador de baterías a la red eléctrica desconectado*

Antes de efectuar las operaciones de mantenimiento, leer cuidadosamente todas las instrucciones del capítulo “Instrucciones de seguridad para el operador”.

Un mantenimiento cuidadoso y continuo garantiza la vida útil y la seguridad de funcionamiento de la máquina.

El esquema siguiente resume el mantenimiento programado. Los períodos indicados pueden variar según las condiciones de trabajos, que el encargado del mantenimiento debe establecer.

Después del “Esquema de mantenimiento programado”, se detallan sólo los procedimientos de mantenimiento más sencillos y frecuentes.

ESQUEMA DE MANTENIMIENTO PROGRAMADO

Operación	Diaria o después de la utilización de la máquina	Semanaria	Semestral	Anual
Limpieza de la boquilla				
Limpieza del cepillo				
Limpieza de los depósitos y de la rejilla de aspiración con flotador				
Carga de las baterías				
Control/sustitución de los cauchos de la boquilla				
Limpieza del filtro de la solución detergente				
Control de la torsión de las tuercas y de los tornillos			(1)	
Control o sustitución de las escobillas de carbón del motor eléctrico del cepillo				(2)
Control o sustitución de las escobillas de carbón del motor eléctrico de aspiración				(2)

(1): y después de las primeras 8 horas de trabajo

(2): por estas operaciones de mantenimiento acudir a un Centro de asistencia autorizado Clarke

LIMPIEZA DE LA BOQUILLA



NOTA

Para un buen secamiento, la boquilla debe estar limpia y con los cauchos en buenas condiciones.



¡ADVERTENCIA!

Durante estas operaciones se aconseja utilizar guantes de trabajo, porque residuos cortantes podrían estar en la boquilla.

1. Controlar que los interruptores (A y B, Fig. 24) estén en posición "0".
2. Bajar la boquilla (D, Fig. 24) mediante la palanca (C).
3. Desconectar el tubo de aspiración (E, Fig. 24) de la boquilla.
4. Aflojar las empuñaduras (F, Fig. 24) y quitar la boquilla (D).
5. Lavar y limpiar la boquilla para quitar suciedad y residuos.
6. Controlar que los cauchos delantero (C, Fig. 25) y trasero (D) no estén desgastados, que no estén cortados o desgarrados; si necesario, sustituirlos (véase el procedimiento en el párrafo siguiente).
7. Instalar en el orden contrario al de la remoción.

CONTROL/SUSTITUCIÓN DE LOS CAUCHOS DE LA BOQUILLA

1. Limpiar la boquilla como indicado en el párrafo anterior.
2. Controlar que el borde (E, Fig. 25) del caucho delantero y el borde (F) del caucho trasero apoyen en el suelo, por toda su longitud; de lo contrario ajustar la altura, como indicado a continuación:
 - ajustar el caucho delantero (C, Fig. 25) y el caucho trasero (D) tras haber quitado los resortes de fijación (G);
 - reinstalar los resortes de fijación sobre los cauchos delantero y trasero correctamente ajustados.
3. Controlar que los cauchos delantero (C, Fig. 25) y trasero (D) no estén desgastados y, si necesario, sustituirlos según el procedimiento siguiente:
 - sustituir el caucho después de haber quitado los resortes de fijación (G, Fig. 25)



NOTA

Durante la sustitución de los cauchos, verificar que los salientes del caucho delantero estén orientados hacia adelante y que los salientes del caucho trasero estén orientados hacia atrás.

- insertar de nuevo los resortes de fijación (G, Fig. 25).
4. Reinstalar la boquilla (D, Fig. 24) y enroscar las empuñaduras (F).
 5. Conectar el tubo de aspiración (E, Fig. 24) de la boquilla (D).

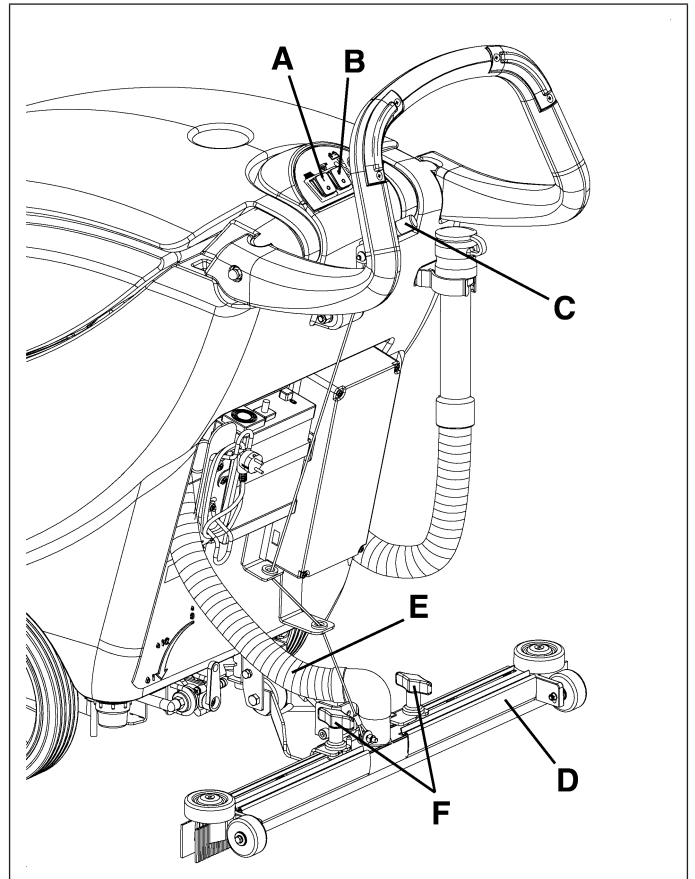


Figure 24

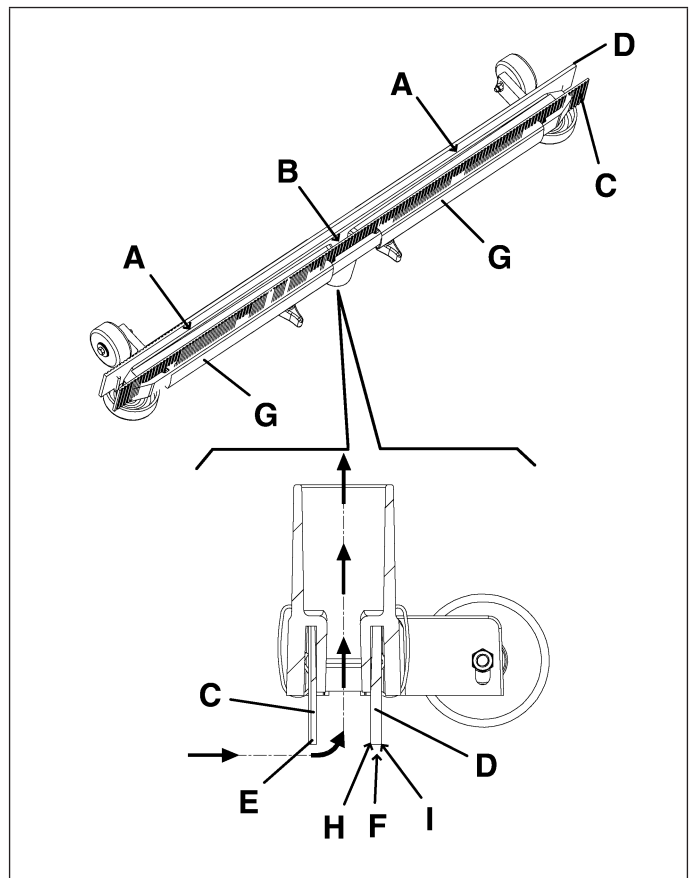


Figure 25

LIMPIEZA DEL CEPILLO



¡ADVERTENCIA!

Durante estas operaciones se aconseja utilizar guantes de trabajo, porque residuos cortantes podrían estar en el cepillo.

1. Quitar el cepillo de la máquina como indicado en el capítulo "Uso".
2. Limpiar el cepillo con agua y detergente.
3. Controlar que las cerdas del cepillo no estén dañadas o excesivamente desgastadas; de lo contrario, sustituir las.

LIMPIEZA DE LOS DEPÓSITOS Y DE LA REJILLA DE ASPIRACIÓN CON FLOTADOR

1. Llevar la máquina en el "Área de eliminación" designada.
2. Controlar que los interruptores (A y B, Fig. 26) estén en posición "0".
3. Levantar la tapa (A, Fig. 27) e introducir el soporte (B) de la tapa, luego lavar con agua limpia la tapa misma, los depósitos (C y D) y la rejilla de aspiración (E). Descargar el agua de los depósitos mediante el tubo (C, Fig. 26) y la válvula (D).
4. Si necesario, desenganchar los retenes (F, Fig. 27) y abrir la rejilla (E), luego quitar el flotador (G), limpiar la partes con cuidado, luego montar de nuevo.
5. Controlar la integridad de la guarnición (H, Fig. 27) de la tapa del depósito del agua de recuperación.



NOTA

La guarnición (H, Fig. 27) causa la formación de vacío en el depósito, necesario para la aspiración del agua de recuperación.

Si necesario, sustituir la guarnición (H, Fig. 27) de su alojamiento (I) para sustituirla.

Cuando se reinstala la nueva guarnición, posicionar su unión (J) en el área (central) indicada en la figura.

6. Controlar que toda la superficie perimetral (K, Fig. 27) de apoyo de la guarnición (H) no esté dañada y que sea adecuada para la estanqueidad de la guarnición misma.
7. Controlar que el orificio de ventilación (L, Fig. 27) no esté obstruido; de lo contrario, limpiarlo.



NOTA

El orificio (L, Fig. 27) permite la compensación de aire en el intersticio de la tapa, causando la formación de vacío en el depósito.

8. Cerrar la tapa (A, Fig. 27) tras haber quitado el soporte (B) de la tapa.

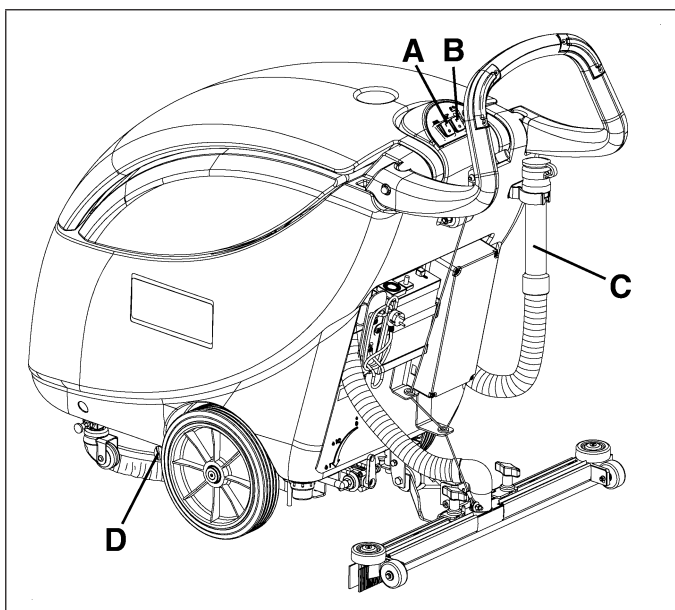


Figure 26

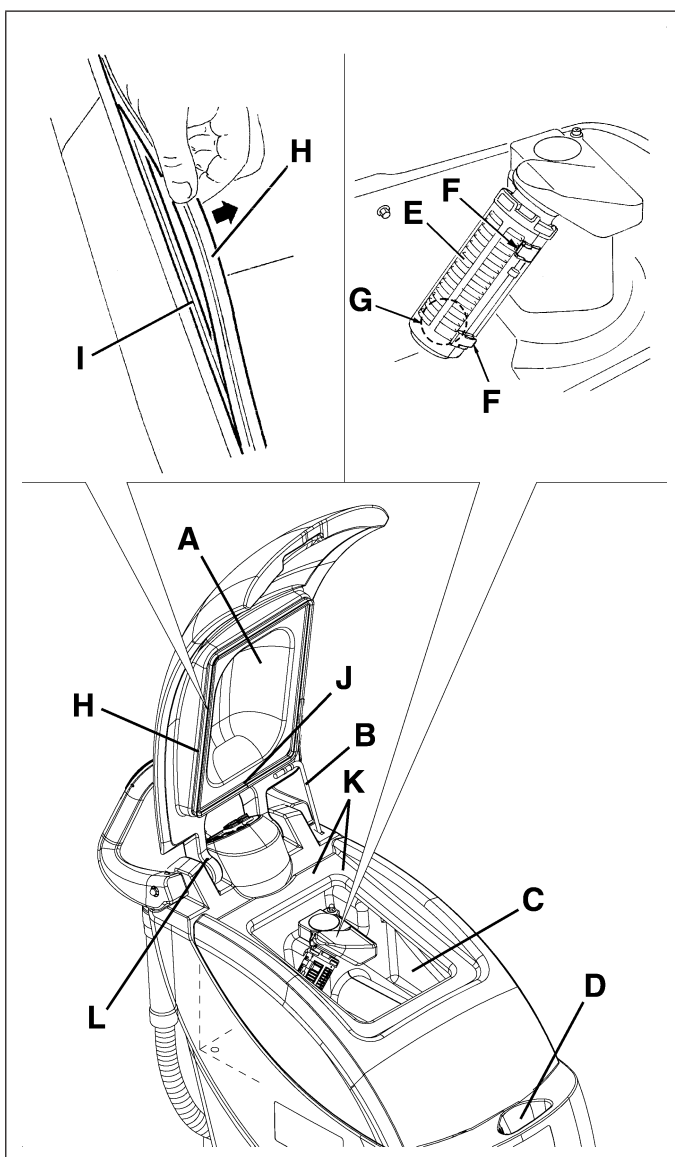


Figure 27

LIMPIEZA DEL FILTRO DE LA SOLUCIÓN DETERGENTE

1. Vaciar el depósito de la solución detergente (A, Fig. 28) como indicado en el párrafo específico.
2. Llevar la máquina sobre un suelo llano.
3. Controlar que los interruptores (B y C, Fig. 28) estén en posición "0".
4. Desenroscar la tapa transparente (D, Fig. 28) y quitar la rejilla filtrante (E); limpiarlos y remontarlos en el soporte (F).



NOTA

Posicionar correctamente la rejilla filtrante (E, Fig. 28) en el alojamiento (G) del soporte (F).

AJUSTE DE LA VELOCIDAD DE MARCHA DE LA MÁQUINA



NOTA

Según el tipo de suelo, o según la utilización del cepillo o del portafiltro, la velocidad de marcha de la máquina pueden variar.

Es posible efectuar el ajuste relacionado utilizando el procedimiento siguiente.

1. Quitar el depósito del agua de recuperación, como indicado en el capítulo "Uso".
2. Efectuar el ajuste de la velocidad de marcha de la máquina mediante el tornillo (A, Fig. 29) efectuando el procedimiento siguiente:
 - aflojar el tornillo (B, Fig. 29), en el lado derecho de la máquina, girándolo en sentido antihorario;
 - girar el tornillo de ajuste (A, Fig. 29) en sentido antihorario para aumentar la velocidad de marcha de la máquina;
 - girar el tornillo de ajuste (A, Fig. 29) en sentido horario para disminuir la velocidad de marcha de la máquina;
 - una vez efectuado el ajuste, enroscar el tornillo (B, Fig. 29).
3. Montar el depósito del agua de recuperación, como indicado en el capítulo "Uso".
4. Antes de empezar el trabajo, controlar si la velocidad de marcha de la máquina es correcta y, si es necesario efectuar otros ajustes, repetir los pasos de 1 a 4.

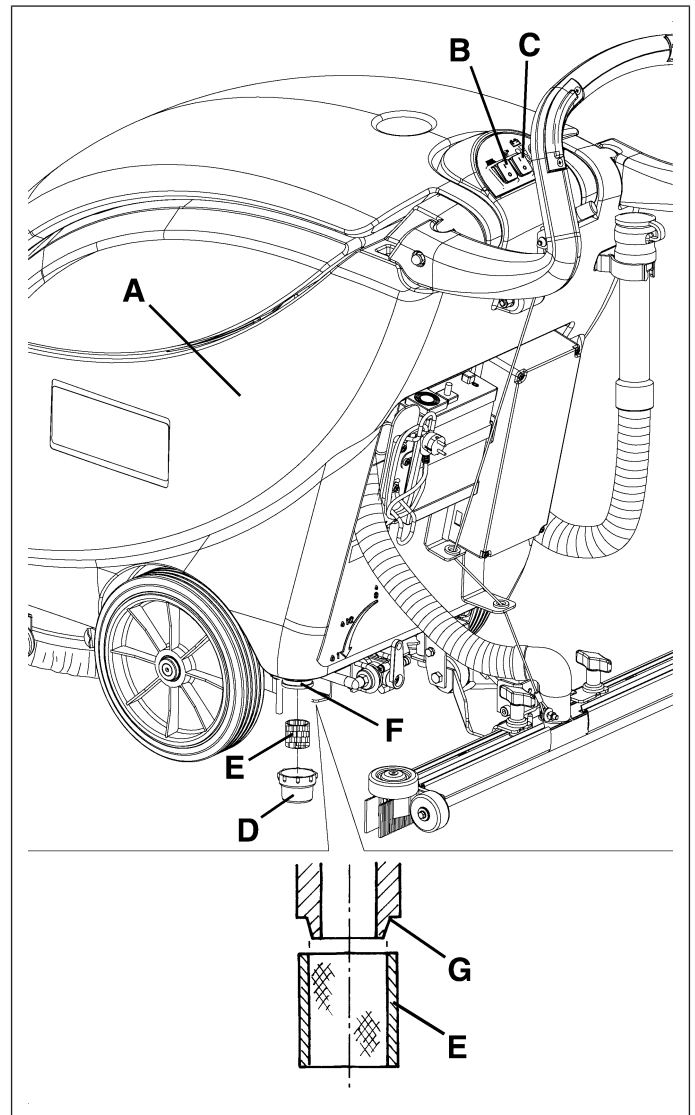


Figure 28

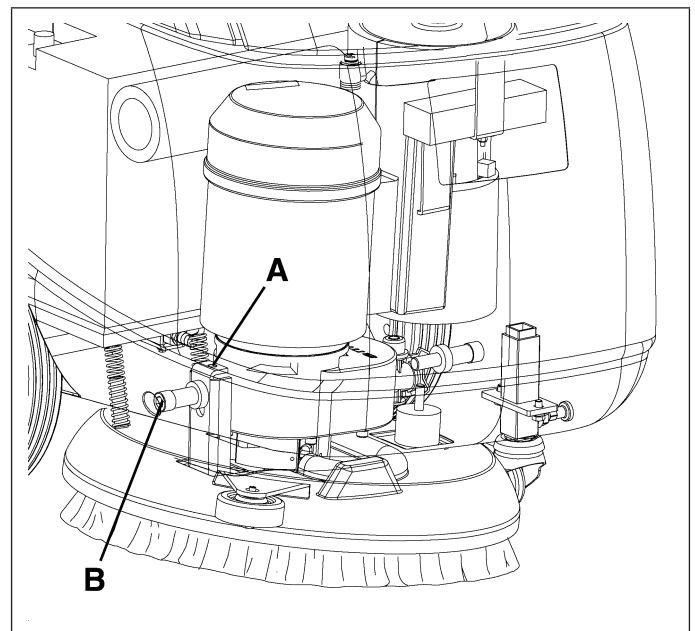


Figure 29

CARGA DE LAS BATERÍAS



NOTA

Cargar las baterías cuando los indicadores luminosos (A o B, Fig.30) se encienden y al final de cada trabajo.

Si se mantienen las baterías cargadas, su durabilidad aumenta.



¡ADVERTENCIA!

No dejar las baterías descargadas durante mucho tiempo, porque su durabilidad podría reducirse. Controlar la carga de las baterías por lo menos una vez por semana.



¡ADVERTENCIA!

Las baterías deben ser cargadas sólo en un lugar cerrado y seco.

1. Llevar la máquina en un lugar cerrado y seco para cargar las baterías.
2. Cargar las baterías mediante el procedimiento siguiente.
3. Controlar que el cable (A, Fig. 31) del cargador de baterías esté conectado a un enchufe con tensión y frecuencia compatibles con los valores indicados en la placa del número de serie/datos técnicos (D).



NOTA

Cuando el cargador de baterías está conectado a la red eléctrica, todas las funciones de la máquina se paran automáticamente.

Si el indicador luminoso verde (B, Fig. 31) parpadea indica que el cargador de baterías está cargando las baterías.

4. Cuando el indicador luminoso verde (B, Fig. 31) se enciende, el ciclo de carga de las baterías está acabado.
5. Una vez efectuada la carga, desconectar el cable eléctrico (A, Fig. 31) del cargador de baterías de la red eléctrica y engancharlo a su alojamiento en la máquina.
6. La máquina está lista para el uso.



NOTA

Para informaciones suplementarias sobre el cargador de baterías (C, Fig. 31) consultar el manual relacionado.

CONTROL/SUSTITUCION FUSIBLES

1. Quitar el depósito del agua de recuperación, como indicado en el capítulo "Uso".
2. Desconectar el terminal negativo de las baterías.
3. Desenroscar los tornillos (A, Fig. 32) y quitar la tapa (B) de la caja de los componentes eléctricos.
4. Controlar/sustituir los fusibles:
 - Fusible cepillo (C, Fig. 32): (40 A)
 - Fusible aspiración (D, Fig. 32): (40 A)
 - Fusible electroválvula y tarjeta electrónica (D, Fig. 32): (5 A)
5. Montar los componentes en el orden contrario al de la remoción.
- 6.

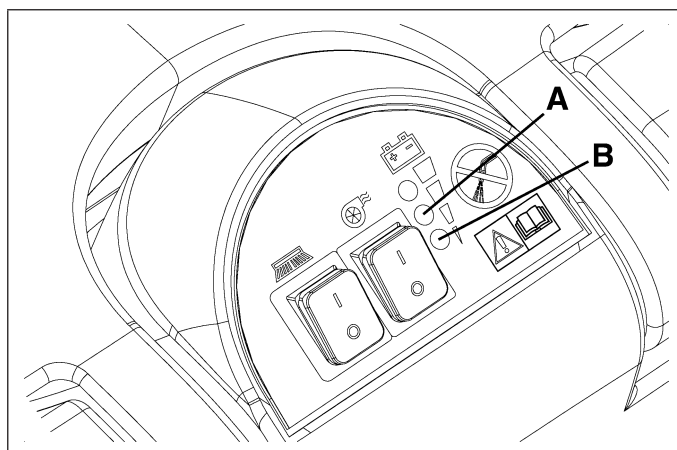


Figure 30

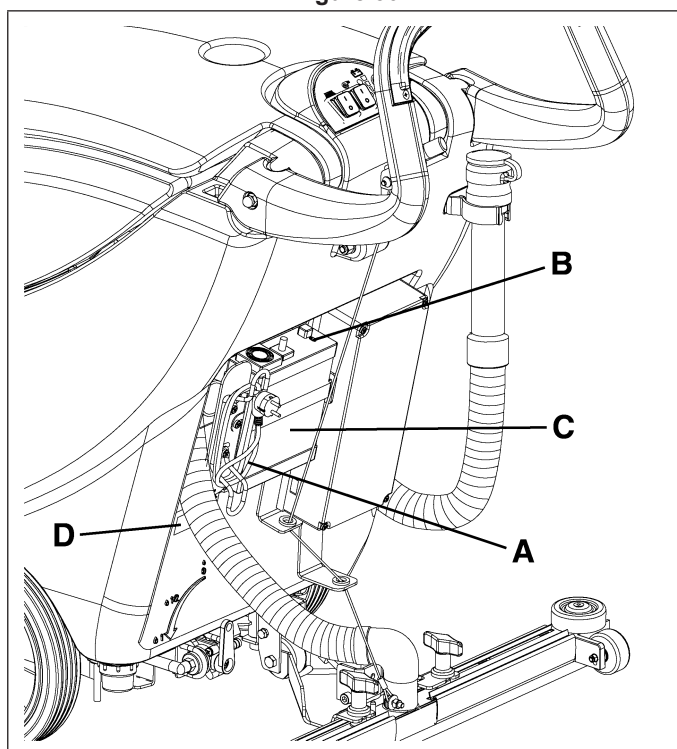


Figure 31

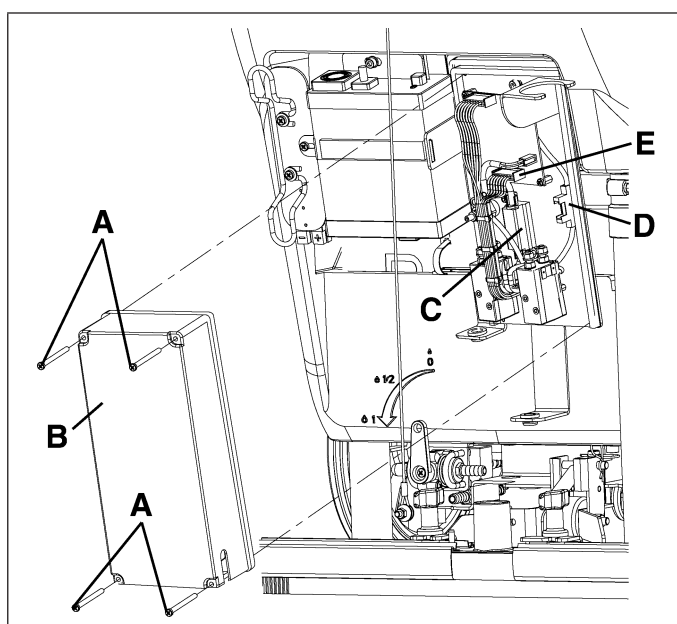


Figure 32

ACCESORIOS/OPCIONES, Vantage 17 Batería

Además de los componentes instalados en la versión estándar, la máquina puede equiparse con los siguientes accesorios/opciones, según la utilización específica:

Para informaciones suplementarias sobre estos accesorios opcionales, acudir al Revendedor autorizado.

ACCESORIOS/OPCIONES

909 5691 000 Cepillo de 17" Midlite Grit 180
 L08812891 Cepillo de 17" Prolene PPL
 909 5695 000 Portafiltro 410

BÚSQUEDA AVERÍAS Y SOLUCIONES

AVERÍA	PROBABLE CAUSA	SOLUCIÓN
Los motores no se encienden.	Terminales de las baterías desconectados o incrustados.	Conectar o limpiar los terminales de las baterías.
	Baterías completamente descargadas.	Cargar las baterías.
Las luces de aviso parpadean simultáneamente.	Sobrecarga de los motores de los cepillos.	Usar cepillos menos duros o de tipo diferente.
	Cuerpos extraños (hilos enrollados, etc.) que puedan frenar la rotación de los cepillos.	Limpiar los cubos de los cepillos.
El motor de aspiración no se enciende.	Fusible quemado.	Sustituir el fusible.
Insuficiente aspiración del agua de recuperación.	Depósito del agua de recuperación lleno.	Vaciarlo.
	Rejilla de aspiración obstruida o flotador en cierre.	Limpiar la rejilla de aspiración y el flotador.
	Tubo de aspiración de la boquilla desconectado o averiado.	Conectarlo o repararlo/sustituirlo.
	Boquilla sucia o cauchos de la boquilla desgastados o dañados.	Limpiar la boquilla o sustituir los cauchos.
	Tapa del depósito del agua de recuperación no correctamente cerrado, guarnición desgastada o orificio de ventilación obstruido.	Cerrar correctamente la tapa, sustituir la guarnición o limpiar el orificio de ventilación.
El flujo de la solución detergente al cepillo es insuficiente.	Filtro de la solución detergente sucio.	Limpiar el filtro.
	Obstrucción del orificio de salida del depósito del agua de recuperación.	Limpiar el orificio.
Estridos causados por la boquilla.	Residuos bajo de los cauchos de la boquilla.	Quitar los residuos.
	Cauchos de la boquilla desgastados, astillados o desgarrados.	Sustituir los cauchos.

LISEZ CE MANUEL

Il contient des informations importantes pour une utilisation correcte de la machine, en toute sécurité. Lisezle complètement avant de mette la machine en marche ou d'effectuer un entretien. A défaut, vous risqueriez de vous blesser ou de blesser d'autres membres du personnel, k'endommager sérieusement la machine ou de provoquer des dégâts dans son environnement. Avant de se servir de la machine, il est indispensable d'avoir reçu une formation. Si vous-même (ou le conducteur) ne parlez pas français, veuillez demander (ou lui fournir) toutes les explications nécessaires. Des versions du manuel existent en d'autres langues.

Toutes les indications de direction figurant dans ce manuel sont visualisées depuis la position du conducteur, à l'arrière de la machine.

Des manuels supplémentaires peuvent être obtenus auprès de votre revendeur Clarke.

INDEX

Manuel d'utilisation	1
CONSIGNES DE SECURITE POUR L'OPERATEUR	47
INTRODUCTION	49
CONSERVATION DU MANUEL	49
DONNEES D'IDENTIFICATION	49
MODIFICATIONS ET AMELIORATIONS	49
DEBALLAGE	49
CARACTERISTIQUES TECHNIQUES	50
PROCEDURES POUR LE TRANSPORT	51
SYMBOLES UTILISES SUR LA MACHINE	51
DESCRIPTION DE LA MACHINE	52
STRUCTURE EXTERNE	52
STRUCTURE INTERNE	53
TABLEAU DE BORD	54
UTILISATION	55
CONTROLE / PREPARATION DES BATTERIES SUR UNE MACHINE NEUVE	55
ETABLISSEMENT (WET OU GEL), INSTALLATION ET CHARGEMENT DES BATTERIES	56
AVANT LA MISE EN MARCHÉ	57
MISE EN MARCHÉ ET ARRÊT DE LA MACHINE	58
MACHINE AU TRAVAIL (LAVAGE/SECHAGE)	59
TRANSPORT/STATIONNEMENT DE LA MACHINE	59
VIDANGE DES RESERVOIRS	60
APRES L'UTILISATION DE LA MACHINE	60
DEPOSE DU RESERVOIR DE L'EAU DE RECUPERATION	61
INACTIVITE PROLONGEE DE LA MACHINE	61
ENTRETIEN	62
PLAN D'ENTRETIEN PROGRAMME	62
NETTOYAGE DE L'EMBOUCHURE	63
CONTROLE/REPLACEMENT DES LAMELLES EN CAOUTCHOUC DE L'EMBOUCHURE	63
NETTOYAGE DE LA BROUSSE	64
NETTOYAGE DES RESERVOIRS ET DE LA GRILLE D'ASPIRATION AVEC FLOTTEUR	64
NETTOYAGE DU FILTRE DE SOLUTION	65
REGLAGE DE LA VITESSE D'AVANCE DE LA MACHINE	65
CHARGEMENT DES BATTERIES	66
CONTROLE/REPLACEMENT DES FUSIBLES	66
ACCESSOIRES/OPTIONS Vantage 17 Batterie	67
DEPISTAGE DES PANNES ET REMEDES POSSIBLES	67
Parts List	69

CONSIGNES DE SECURITE POUR L'OPERATEUR



DANGER!

Indique un danger qui comporte des risques, ou même la mort, pour l'opérateur.



ATTENTION!

Indique une situation exposant les personnes au risque de blessures ou de dommages matériels.



AVERTISSEMENT!

Indique un avertissement ou une remarque sur des fonctions clé ou utiles. Prêter la plus grande attention aux segments de texte marqués par ce symbole.



REMARQUE

Indique une remarque sur des fonctions clé ou utiles.



CONSULTATION

Indique la nécessité de consulter le Manuel d'utilisation avant toute opération.



DANGER!

- *Cette machine doit être utilisée uniquement par un personnel adéquatement formé et autorisé. L'utilisation de la machine est interdite aux enfants et aux personnes handicapées.*
- *En cas d'utilisation de batteries au plomb (WET), le chargement de batteries produit un gaz hydrogène très explosif. Déposer le réservoir de l'eau de récupération pendant le cycle de rechargement des batteries et effectuer cette opération dans un endroit bien aéré et loin de flammes libres. Ne pas fumer près de la machine pendant le chargement des batteries.*
- *En cas d'utilisation de batteries au plomb (WET), tenir les étincelles, les flammes et les matériaux incandescents éloignés des batteries. Les batteries produisent des gaz potentiellement explosifs pendant l'utilisation ordinaire.*
- *Ne pas opérer avec cette machine en présence de poudres, liquides ou vapeurs nuisibles, dangereux, inflammables et/ou explosifs.*
- *Débrancher les batteries avant d'effectuer toute opération d'entretien/réparation.*
- *Ne pas porter de bijoux quand on travaille près de composants électriques.*

**ATTENTION!**

- Avant de brancher le chargeur de batterie au réseau électrique, s'assurer que la fréquence et la tension indiquées dans le Manuel du chargeur de batterie coïncident avec la tension de réseau.
- Ne pas charger les batteries si le câble du chargeur ou la fiche sont endommagés. Si la machine ne fonctionne pas correctement, si elle est endommagée, laissée à l'extérieur ou tombée dans l'eau, la porter auprès d'un Service après-vente autorisé.
- Ne pas utiliser le câble du chargeur de batterie pour tirer ou transporter la machine et ne pas utiliser le câble comme poignée. Ne pas fermer de porte sur le câble d'alimentation, ne pas tirer le câble sur des surfaces ou coins tranchants. Ne pas faire passer la machine sur le câble du chargeur de batterie.
- Tenir le câble du chargeur de batterie éloigné des surfaces chaudes.
- Pour réduire le risque d'incendie, chocs électriques ou blessures, ne pas laisser la machine sans surveillance lorsqu'elle est branchée au réseau électrique.
- Afin d'éviter le risque de choc électrique, ne pas exposer la machine à la pluie. Garder la machine dans un endroit couvert.
- Avant de laisser la machine sans surveillance, veiller à ce que celle-ci ne puisse pas bouger de façon autonome.
- Protéger toujours la machine du soleil, de la pluie et d'autres intempéries, pendant le fonctionnement et en état d'arrêt. Garder la machine dans un endroit couvert et sec : elle a été conçue pour l'utilisation à sec, par conséquent elle ne doit pas être utilisée ou gardée dehors, dans des conditions d'humidité.
- Avant d'utiliser la machine, fermer tous les portillons et / ou couvercles.
- Ne pas laisser que la machine est utilisée comme jouet. Faire attention lorsque la machine est utilisée à proximité des enfants.
- Ne pas utiliser à des fins autres que celles prévues dans ce manuel. Utiliser seulement les accessoires recommandés par le fabricant.
- Prendre les précautions convenables afin que les cheveux, les bijoux et les parties non adhérentes des vêtements ne soient pas capturés par les parties en mouvement ou aspirantes de la machine.
- Avant de laisser la machine sans surveillance, veiller à ce que celle-ci ne puisse pas bouger de façon autonome.
- Ne pas laisser entrer d'objets dans les ouvertures. Ne pas utiliser la machine si les ouvertures sont bouchées ; garder les ouvertures de la machine libres de poussière, filasse, poils et tout autre corps étranger à même de réduire le flux d'air.
- Pendant l'utilisation de cette machine, faire attention à sauvegarder l'intégrité des autres personnes.
- Ne pas utiliser la machine dans des endroits très poussiéreux.
- Ne pas poser de conteneurs de liquides sur la machine.
- La température de travail de la machine doit être comprise entre +32°F et +104°F (0°C et +40°C).
- La température de stockage doit être comprise entre +32°F et +104°F (0°C et +40°C).
- L'humidité doit être comprise entre 30% et 95%.
- Pendant l'utilisation de détergents pour le nettoyage des sols, suivre toujours les instructions et les avertissements indiqués sur les étiquettes des flacons.
- Avant la manipulation de détergents pour le nettoyage des sols, mettre les gants et les vêtements de protection adéquats.
- Ne pas utiliser la machine comme moyen de transport.
- Ne pas utiliser la machine sur des surfaces en pente.
- Ne pas faire travailler la brosse lorsque la machine est arrêtée pour ne pas endommager le sol.
- Ne pas heurter contre des étagères ou des échafaudages, en particulier en cas de danger de chute d'objets.
- Ne pas altérer pour aucune raison les protections prévues pour la machine, suivre les instructions prévues pour l'entretien ordinaire.
- Ne pas enlever ou altérer les plaques apposées sur la machine par le fabricant.
- En cas d'incendie, utiliser un extincteur à poudre, plutôt qu'un extincteur à eau.
- Afin de garantir la sécurité et le bon fonctionnement de la machine, faire effectuer l'entretien programmé prévu au chapitre spécifique de ce manuel par du personnel autorisé ou par un Service après-vente autorisé.
- En cas de remplacement de pièces, demander les pièces de rechange D'ORIGINE à un concessionnaire ou revendeur autorisé.
- Ne pas laver la machine avec des jets d'eau directs ou sous pression ou avec des substances corrosives.
- Lors de la mise en décharge, la machine ne doit pas être abandonnée par la présence de matériaux toxiques (batteries, cartes électroniques etc.), sujets à des lois qui prévoient l'élimination auprès de centres spéciaux (voir le chapitre Mise en décharge).
- Faire attention pendant les déplacements de la machine en conditions de températures inférieures au point de congélation. L'eau présente dans le réservoir de récupération ou dans les tuyaux pourrait se congeler et endommager sérieusement la machine.
- Utiliser les brosses et les disques livrés avec la machine et ceux spécifiés dans les Manuels opérateur. L'utilisation d'autres brosses ou disques peut compromettre la sécurité.
- La machine est livrée avec les batteries au plomb. Éliminer les batteries conformément aux normes en vigueur.

INTRODUCTION

Le modèle Vantage 17 Batterie de l'autolaveuse Clarke est une machine performante qui assure un nettoyage de haute qualité des sols. Le modèle Vantage 17 Batterie utilise une brosse tournante pour nettoyer une bande de 17,0 in (430 mm) de largeur. Un embouchure arrière essuie le sol et un aspirateur en récupère l'eau de lavage, le tout en une seule passe.

CONSERVATION DU MANUEL

Le Manuel opérateur doit être gardé près de la machine, dans une enveloppe spéciale et, surtout, loin de liquides et de tout ce qui pourrait compromettre l'état de lisibilité.

DONNEES D'IDENTIFICATION

Le numéro de série et le modèle de la machine sont indiqués sur la plaque lisible de l'extérieur. (A, Fig. 2- page. 62).

L'année de fabrication de la machine est indiquée après les deux premières chiffres du numéro de série de la machine. Ces informations sont nécessaires lors de la commande des pièces de rechange de la machine. Utiliser l'espace ci-dessous pour y noter les données d'identification de la machine pour toute référence future.

Modèle de la MACHINE
Numéro de série de la MACHINE

MODIFICATIONS ET AMELIORATIONS

Notre entreprise vise à un constant perfectionnement de ses produits et se réserve le droit d'effectuer des modifications et des améliorations, lorsqu'elles sont nécessaires, sans l'obligation de modifier les machines précédemment vendues.

Il est entendu que toute modification et/ou addition d'accessoires doit toujours être approuvée et réalisée par le fabricant.

DEBALLAGE

Pour déballer la machine, suivre attentivement les instructions sur l'emballage.

Lors de la livraison de la machine, contrôler attentivement que l'emballage et la machine n'ont pas été endommagés pendant le transport. Si les dommages sont évidents, garder l'emballage de façon qu'il puisse être examiné par le transporteur qui l'a livré. Le contacter immédiatement pour remplir une demande de dommages-intérêts.

Contrôler que les composants suivants sont livrés avec la machine :

Documentation technique :

1. Manuel d'utilisation de l'autolaveuse
 - Manuel du chargeur de batterie électronique
 - Fusible de 40 A
2. Panneaux de batteries

CARACTERISTIQUES TECHNIQUES

Modèle	Vantage 17 Batterie
Tension de fonctionnement	24 V
Batteries standard (quantité : 2)	12V - 86 Ah, au GEL
Vitesse de traction	Déterminée par la rotation de la brosse
Sécurité batterie	Arrêt à basse tension rotation brosse et aspiration
Moteur d'aspiration	0.5 hp (370 W)
Dépression système d'aspiration	41.5 in H ₂ O (1,055 mm H ₂ O)
Capacité réservoir solution	8.2 gal (31 liters)
Flux de solution (minimum/maximum)	0.08/0.26 gal/min (0.3/1.0 liters/min)
Capacité réservoir eau de récupération	7.7 gal (29 liters)
Embouchure	Droite
Largeur embouchure	28.3 in (720 mm)
Largeur de nettoyage	17 in (430 mm)
Moteur brosse/disque	0.7 hp (520 W)
Diamètre brosse/disque	17 in (430 mm)
Vitesse de rotation brosse/disque	135 RPM
Pression au sol brosse/disque (avec réservoir plein)	50.6 lbs (23 kg)
Diamètre roues centrales sur essieu fixe	9.8 in (250 mm)
Diamètre roue tournante	1.9 in (49 mm)
Pression spécifique au sol roues arrière	145 psi (1,0 N/mm ²)
Pression spécifique au sol roues avant	275.5 psi (1,9 N/mm ²)
Chargeur de batterie à bord	24V DC, 8A, 115-230V, 50-60 Hz
Inclinaison maximum sol	2 %
Longueur machine	43.9 in (1115 mm)
Largeur machine sans embouchure	22.4 in (570 mm)
Hauteur machine	41.4 in (1050 mm)
Poids machine avec batteries, brosse et réservoir solution plein (condition de travail)	346.1 lbs (157 kg)
Pression acoustique à l'oreille de l'opérateur (ISO 11201, ISO 4871) (LpA)	65 dB(A) ± 3dB(A)
Puissance acoustique émise par la machine (ISO 3744, ISO 4871) (LwA)	89 dB(A)
Puissance acoustique émise par la machine (ISO 3744, ISO 4871) (LwA)	< 98.4 in/s ² (< 2,5 m/s ²)
Dimensions logement batteries (longueur x largeur x hauteur)	13.8x13.8x10.2 in (350x350x260 mm)

PROCEDURES POUR LE TRANSPORT

Procédure de chargement et de déchargement de la machine d'un fourgon ou d'un camion



ATTENTION!

La machine est lourde. Le déplacement de la machine doit être effectué par du personnel expérimenté. Le déplacement de la machine sur des rampes ou des pentes doit être effectué par deux personnes expérimentées.

La déplacer toujours lentement. Ne pas tourner la machine sur les rampes. Ne pas laisser la machine arrêtée sans surveillance sur les rampes ou les pentes. Les rampes de chargement doivent avoir au moins 1 mètre de largeur.

1. Contrôler que la rampe de chargement a une longueur maximum de 8 pieds (2,5 mètres), une largeur minimum de 40 pouces (1 mètre) et une épaisseur adéquat pour supporter le poids de la machine et des personnes qui la déplacent.
2. Contrôler que la rampe est sèche et propre.
3. Positionner la rampe correctement.
4. Avant de charger la machine, enlever l'embouchure et la brosse/plateau support disque. Clarke conseille de vider les réservoirs de solution et d'eau de récupération avant de charger la machine.

Procédure de fixation de la machine dans le moyen de transport

5. Clarke conseille de fixer la machine à l'aide de courroies pendant le transport.

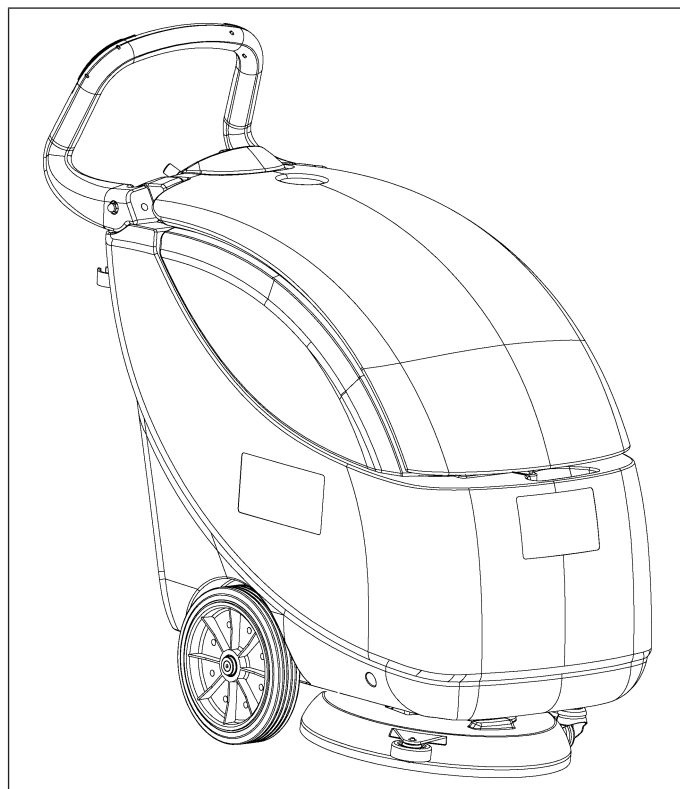
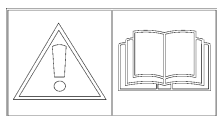


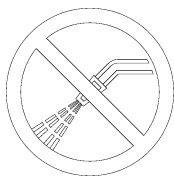
Figure 1

SYMBOLES UTILISES SUR LA MACHINE



ATTENTION!

Avant d'effectuer toute activité d'entretien/réparation, lire attentivement toutes les instructions qui concernent la machine.



ATTENTION!

Ne pas laver la machine avec des jets d'eau directs ou sous pression.



ATTENTION!

Ne pas ouvrir le couvercle, risque de danger électrique

DESCRIPTION DE LA MACHINE

STRUCTURE EXTERNE

(Voir Fig. 2)

- | | | | |
|-----|---|-----|--|
| A. | Plaque avec numéro de série/données techniques/marque de conformité | S. | Levier de soulèvement/abaissement embouchure |
| B. | Guidon | T. | Filtre de solution |
| C. | Tableau de bord | U. | Câble chargeur de batterie |
| D. | Levier de réglage flux de solution | V. | Tuyau d'aspiration embouchure |
| E1. | Position ECO de flux de solution | W. | Dispositif de transport/stationnement |
| E2. | Position de flux maximum de solution | W1. | Dispositif de transport/stationnement activé |
| F. | Couvercle réservoir eau de récupération | W2. | Dispositif de transport/stationnement désactivé |
| G. | Roue arrière d'appui pour transport/stationnement | X. | Goupille de positionnement dispositif de transport/stationnement |
| H. | Roues centrales sur essieu fixe | Y. | Boîtier composants électriques |
| I. | Brosse ou plateau support disque avec disque | Z. | Chargeur de batterie |
| J. | Couverture brosse/plateau support disque | AA. | Témoins lumineux chargeur de batterie |
| K. | Embouchure | AB. | Schéma d'installation batteries |
| L. | Boutons de fixation embouchure | AC. | Réservoir eau de récupération |
| M. | Lamelles en caoutchouc avant embouchure | AD. | Réservoir solution |
| N. | Lamelles en caoutchouc arrière embouchure | | |
| O. | Ressorts de fixation lamelles en caoutchouc embouchure | | |
| P. | Tuyau de vidange eau de récupération | | |
| Q. | Support tuyau de vidange eau de récupération | | |
| R. | Soupape de vidange solution | | |

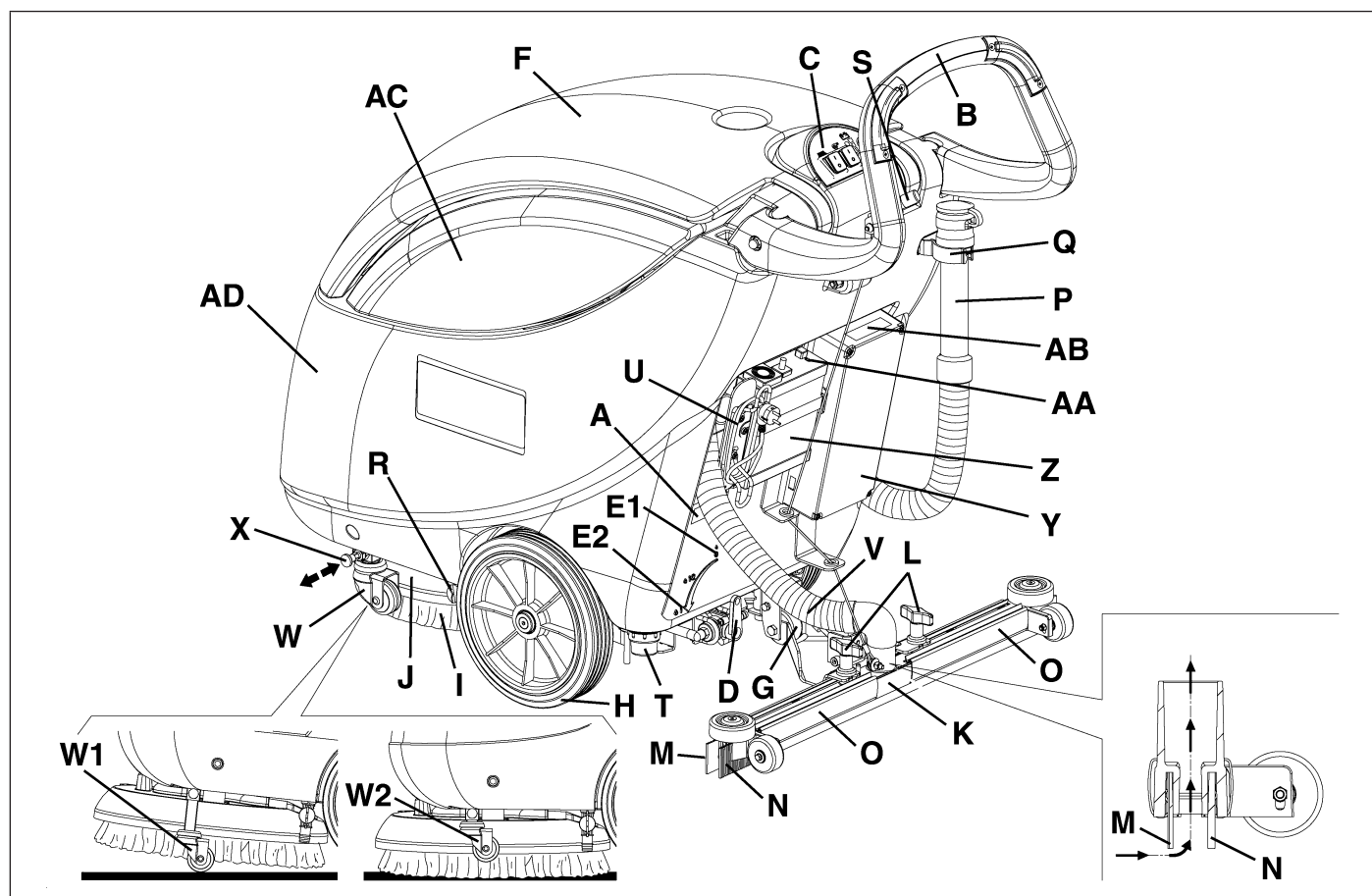


Figure 2

STRUCTURE INTERNE

(Voir Fig. 3)

- | | | | |
|----|--|----|--|
| A. | Couvercle réservoir eau de récupération (ouvert) | K. | Schéma d'installation batteries |
| B. | Joint d'étanchéité couvercle réservoir eau de récupération | L. | Couverture avec queue d'accrochage pour brosse/plateau |
| C. | Support couvercle (en position d'activation) | M. | Vis de réglage vitesse d'avance machine |
| D. | Réservoir eau de récupération | N. | Brosse |
| E. | Réservoir solution | O. | Plateau support disque |
| F. | Grille d'aspiration avec fermeture automatique à flotteur | P. | Disque |
| G. | Orifice de drainage eau de récupération | Q. | Orifice d'aération |
| H. | Moteur d'aspiration | | |
| I. | Moteur brosse/disque | | |
| J. | Batteries | | |

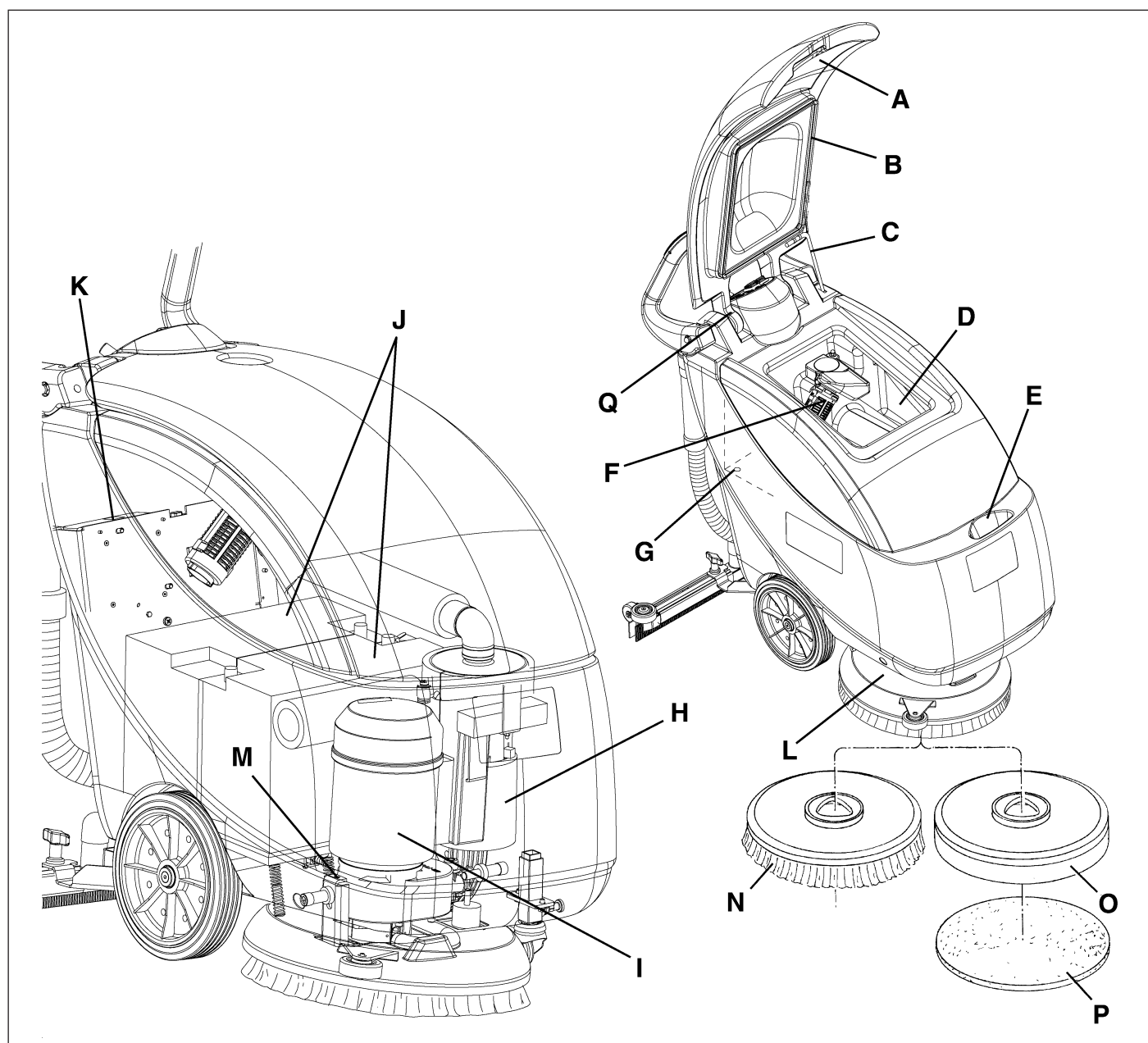


Figure 3

TABLEAU DE BORD

(Voir Fig. 4)

Témoin lumineux de batteries chargées (vert) (A, Fig. 4)

Lorsqu'il s'allume, il indique que les batteries sont chargées.

Témoin lumineux de batteries demi-chargées (jaune) (B, Fig. 4)

Lorsqu'il s'allume, il indique que les batteries sont presque déchargées.

Témoin lumineux de batteries déchargées (rouge) (C, Fig. 4)

Lorsqu'il s'allume, il indique que les batteries sont déchargées. Pour ne pas endommager les batteries, ne pas insister à utiliser la machine avec les batteries déchargées mais les charger (voir la procédure au chapitre Entretien).

Interrupteur de rotation brosse/disque (D, Fig. 4)

S'il est positionné sur "1", la machine est prête pour la rotation de la brosse/disque. Pour activer la rotation de la brosse/disque, il faut tenir appuyé l'un ou les deux boutons-poussoirs de validation (F, Fig. 4).

S'il est positionné sur "0", la rotation de la brosse/disque ne peut pas être effectuée.

Interrupteur d'aspiration (E, Fig. 4)

S'il est positionné sur "1", il active l'aspiration de l'eau de récupération.

S'il est positionné sur "0", il arrête l'aspiration de l'eau de récupération.

Boutons-poussoirs de validation rotation brosses (F, Fig. 4)

En appuyant sur l'un ou les deux boutons-poussoirs de validation, la rotation de la brosse/disque est activée.

Les boutons-poussoirs ne sont actifs que lorsque l'interrupteur de rotation brosse/disque (D, Fig. 4) est positionné sur "1".

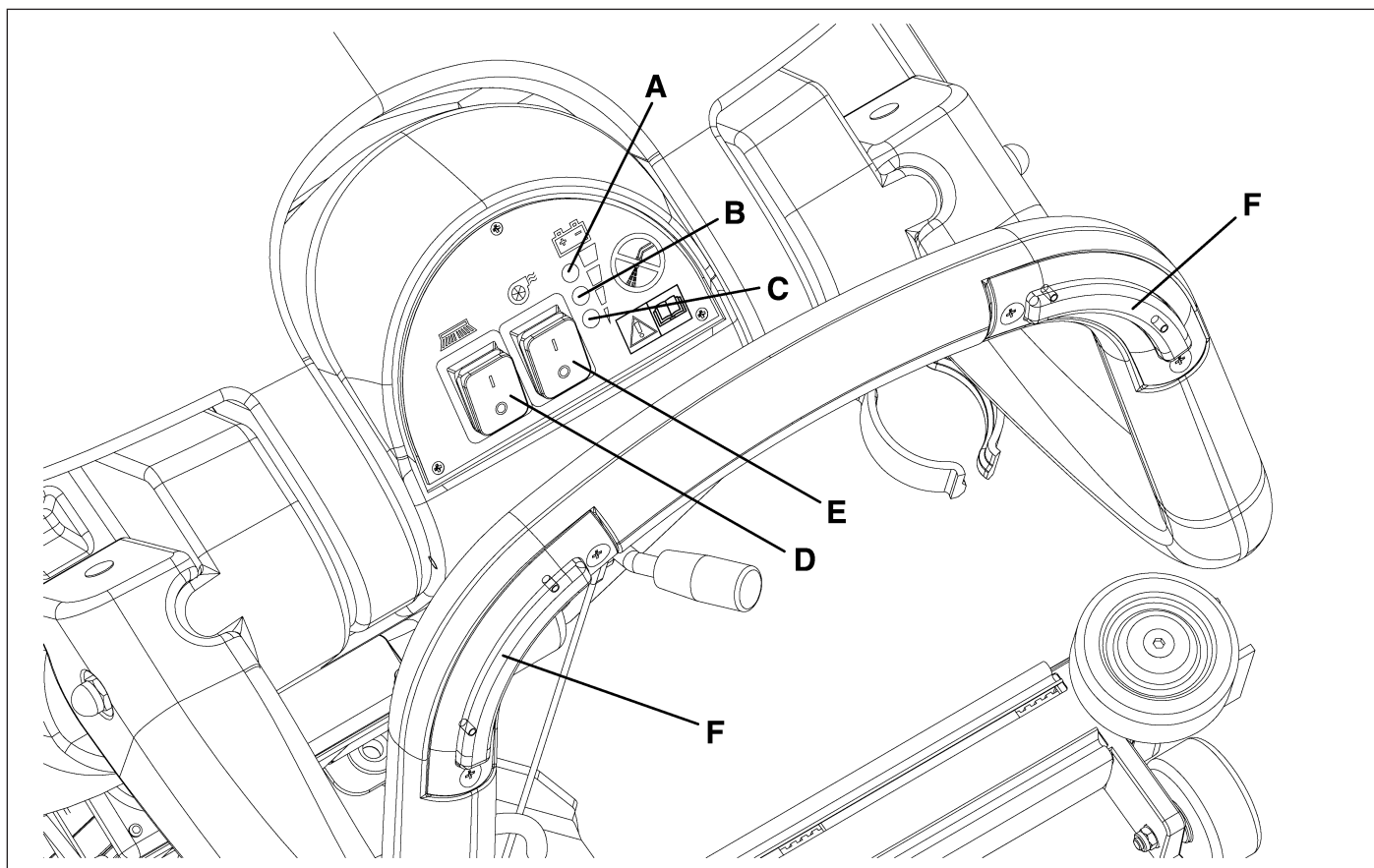


Figure 4

UTILISATION



ATTENTION!

Sur certains points de la machine sont appliquées des plaques adhésives qui indiquent :

- DANGER
- ATTENTION
- AVERTISSEMENT
- INFORMATIONS

Lors de la lecture de ce manuel, l'opérateur doit bien comprendre le sens des symboles illustrés sur les plaques.

Ne pas couvrir les plaques et les remplacer immédiatement en cas d'endommagement.

CONTROLE / PREPARATION DES BATTERIES SUR UNE MACHINE NEUVE



ATTENTION!

Les composants électriques de cette machine peuvent être sérieusement endommagés si les batteries ne sont pas installées et branchées de façon correcte. Les batteries doivent être installées par du personnel qualifié.

Contrôler les batteries avant l'installation pour vérifier qu'elles ne sont pas endommagées.

Déplacer les batteries avec attention.

Installer les cache-bornes de la batterie livrés avec la machine.

La machine est livrée avec les batteries au GEL installées et prêtes à l'utilisation.

- Positionner les interrupteurs de rotation brosse et d'aspiration (A et B, Fig. 6) sur "I". Si le témoin lumineux vert s'allume (C), les batteries sont prêtes pour l'utilisation.
- Si les témoins lumineux (D ou E, Fig. 6) s'allument, il est nécessaire de charger les batteries avant d'utiliser la machine (voir la procédure au chapitre Entretien).

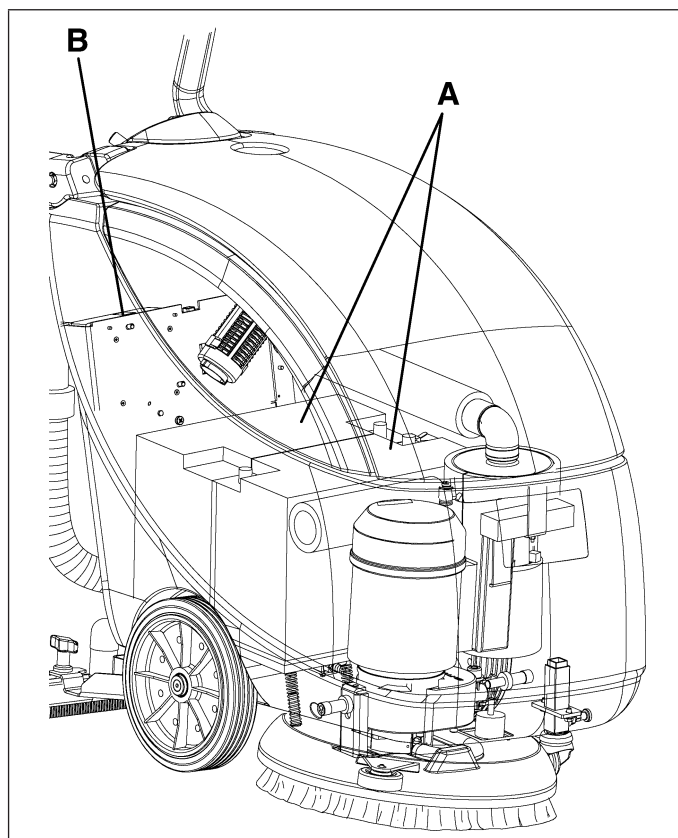


Figure 5

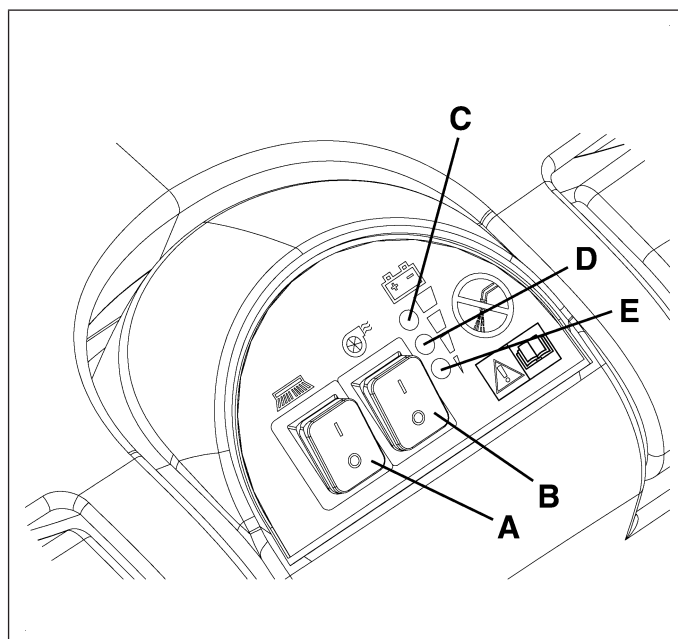


Figure 6

ETABLISSEMENT (WET OU GEL), INSTALLATION ET CHARGEMENT DES BATTERIES

Selon le type de batteries installées, au plomb (WET) ou au gel (GEL), il est nécessaire de configurer la carte électronique de la machine, en procédant comme suit.

Configuration de la machine

1. La configuration en usine de la machine est pour batteries au GEL ; si cette configuration correspond au type de batteries acheté, passer au point 5 ci-après. En cas contraire, effectuer aussi les opérations indiquées aux points 2, 3 et 4.
2. Dévisser les vis (A, Fig. 7) et sortir avec soin le couvercle (B) du boîtier des composants électriques.
3. Pousser le microinterrupteur (C, Fig. 7) vers le bas en le positionnant sur WET.



ATTENTION!

Ne pas bouger/déplacer l'interrupteur adjacent (D, Fig. 7).

4. Reposer le couvercle (B, Fig. 7) du boîtier des composants électriques et visser les vis (A).

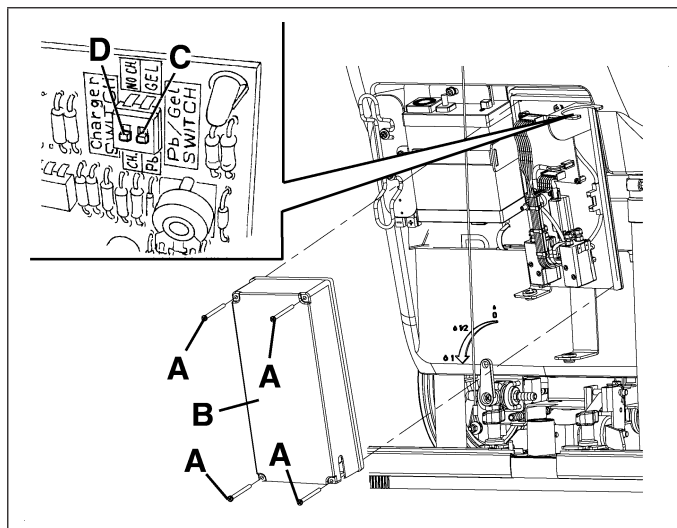


Figure 7

Installation des batteries

5. Déconnecter le tuyau d'aspiration (A, Fig. 8) de l'embouchure (B).
6. Déconnecter le tuyau de vidange de l'eau de récupération (C, Fig. 8) du support (D).
7. Ouvrir le couvercle (A, Fig. 9) et insérer le support (B) du couvercle.
8. Saisir le réservoir de l'eau de récupération (C, Fig. 9) dans la zone (D) et le soulever légèrement, comme indiqué dans la figure ; déconnecter le tuyau d'aspiration (E) du réservoir, puis déposer le réservoir (C) avec les tuyaux (F) et (G).
9. Installer les batteries sur la machine selon le schéma (E, Fig. 8).
10. Reposer le réservoir (C, Fig. 9) en exécutant les points de 5 à 9 dans l'ordre inverse.

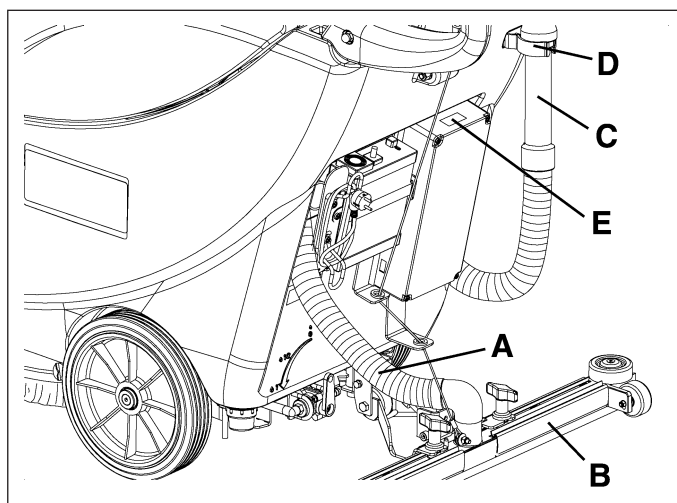


Figure 8

Chargement des batteries

11. Effectuer le chargement des batteries (voir la procédure au chapitre Entretien).

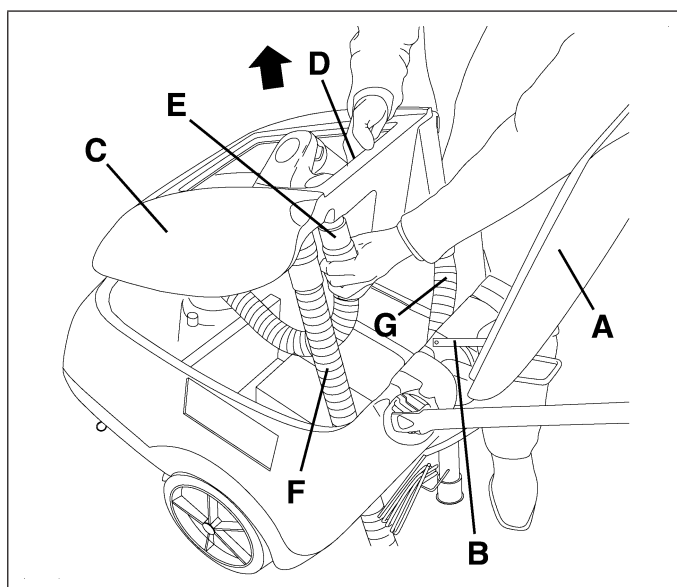


Figure 9

AVANT LA MISE EN MARCHÉ

Avant le démarrage de la machine, contrôler que les opérations suivantes ont été effectuées correctement.

Installation de l'embouchure

1. Installer l'embouchure (A, Fig. 10) et la fixer à l'aide des boutons (B), puis connecter le tuyau d'aspiration (C) à l'embouchure.

Remplissage du réservoir de solution

2. Remplir le réservoir de solution (A, Fig. 11) avec une solution adéquate au travail à effectuer.
Ne jamais remplir complètement le réservoir de la solution, mais laisser toujours quelques centimètres du bord.
Suivre toujours les instructions de dilution sur l'étiquette du conteneur du produit chimique utilisé pour la solution.
La température de la solution ne doit jamais être supérieure à 100°F (40°C).



AVERTISSEMENT!

Utiliser exclusivement des détergents liquides peu mousseux et non inflammables, adéquats pour les machines en question.

Installation de la brosse ou du plateau support disque



REMARQUE

Il est possible d'installer soit la brosse (B, Fig. 11) soit le plateau support disque (C) avec disque (D), en fonction du traitement à effectuer sur le sol.

3. Désactiver le dispositif de stationnement (A, Fig. 12) en le positionnant sur (B) après avoir actionné la goupille correspondante (C).
4. Soulever la couverture de la brosse (D, Fig. 12) en faisant lever le levier sur le guidon (E).
5. Positionner la brosse (B, Fig. 11) ou le plateau (C) avec disque (D) sous la couverture.
6. Baisser la couverture (D, Fig. 12) au moyen du guidon (E).
7. Positionner l'interrupteur de la brosse (F, Fig. 12) sur "I", puis appuyer l'un ou les deux boutons-poussoirs (G) pour quelques secondes pour permettre l'accrochage de la brosse/plateau support disque.

En cas d'accrochage difficile, tourner manuellement la brosse/plateau dans le sens inverse aux aiguilles d'une montre (voir Fig. 13).

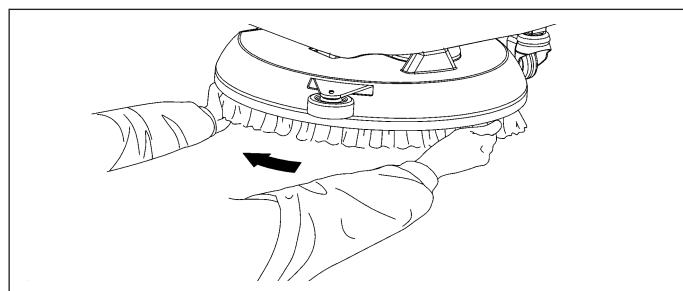


Figure 13

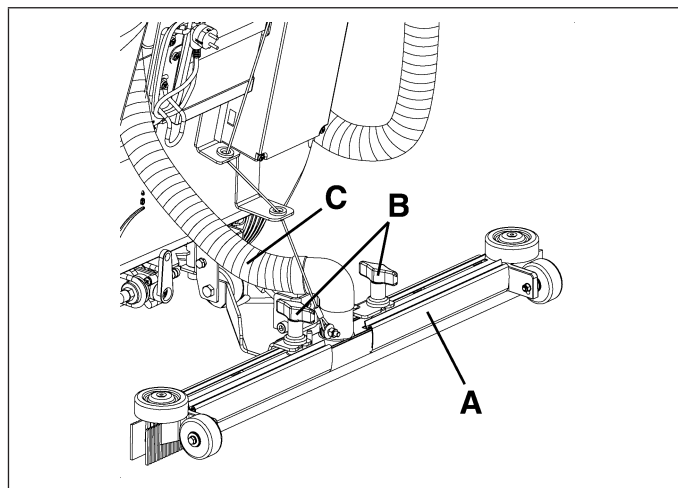


Figure 10

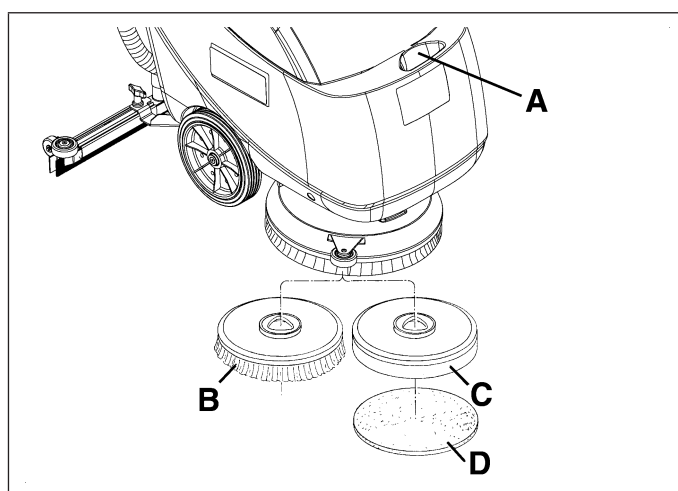


Figure 11

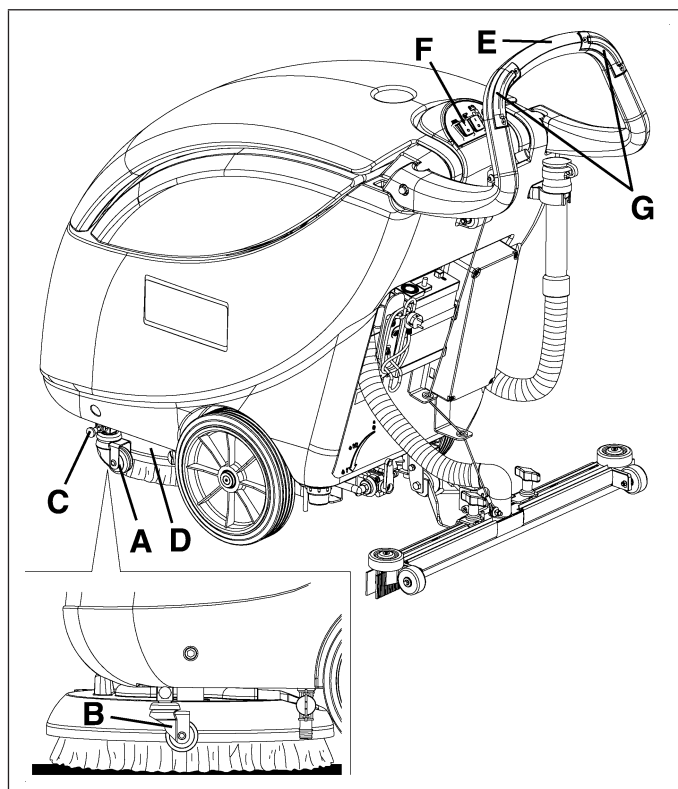


Figure 12

MISE EN MARCHÉ ET ARRÊT DE LA MACHINE

Mise en marche

1. Préparer la machine comme indiqué au paragraphe précédent.
2. Baisser l'embouchure (A, Fig. 15) en tournant le levier (B) vers le bas.
3. Positionner le levier de réglage du flux de solution (C, Fig. 15) dans une des positions suivantes, selon le type de nettoyage à effectuer :
 - Système ECO : en positionnant le levier (C, Fig. 15) sur ECO (D), la machine travaille en condition d'emploi programmé de l'eau (économie) ; en effet, puisque le flux est prédéterminé et constant, la machine peut travailler avec une autonomie de nettoyage de 70-80 minutes [0.08 gal/min (0,3 litres/min)].
 - Système variable : en tournant le levier à gauche dans la position relative au flux variable (E, Fig 15), il est possible d'augmenter le flux jusqu'à un débit maximum de 0.26 gal/min (1 litre/min).
4. Positionner les interrupteurs (A et B, Fig. 14) sur "I".



REMARQUE

Si le témoin lumineux vert (C, Fig. 14) s'allume, la machine est prête pour l'utilisation.

Si les témoins lumineux jaune (D) ou rouge (E) s'allument, il est nécessaire de charger les batteries (voir la procédure au chapitre Entretien).

5. Tout en gardant les mains sur le guidon (G, Fig. 15) démarrer la machine en appuyant sur l'un ou les deux boutons-poussoirs de validation (F).

Arrêt de la machine

6. Relâcher les boutons-poussoirs (F, Fig. 15).
7. Positionner les interrupteurs (A et B, Fig. 14) sur "0".
8. Baisser l'embouchure en tournant le levier (B, Fig. 15) vers le haut, jusqu'à fin de course.
9. Soulever la brosse/disque et activer le dispositif de stationnement (A, Fig. 16) en le positionnant sur (B) après avoir actionné la goupille correspondante (C).

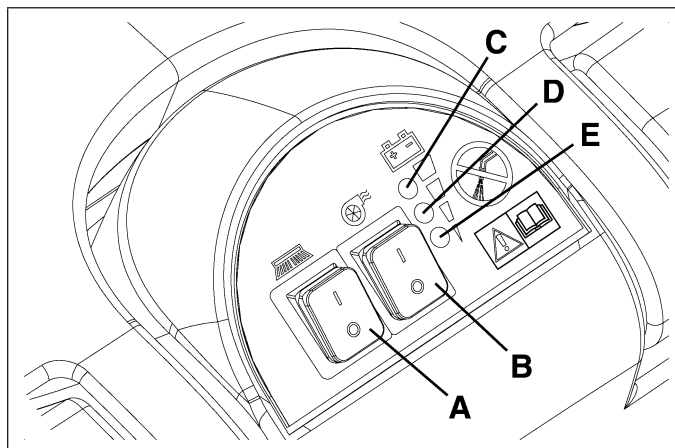


Figure 14

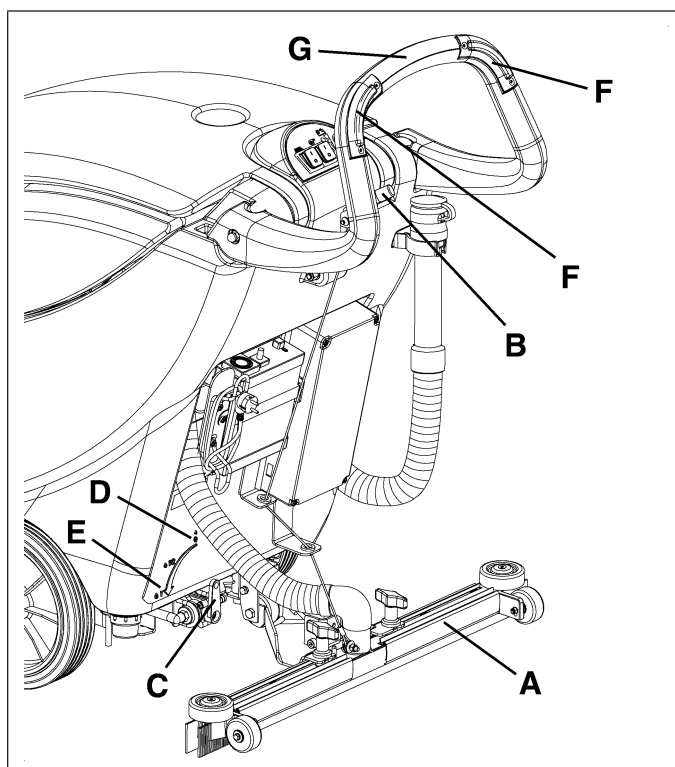


Figure 15

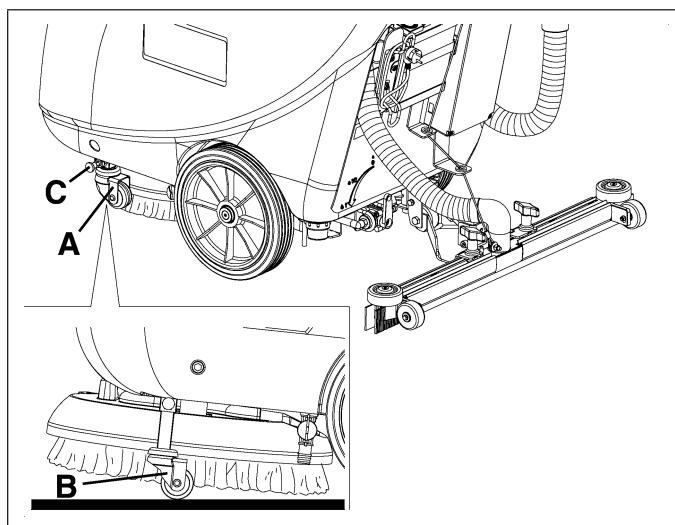


Figure 16

MACHINE AU TRAVAIL (LAVAGE/SECHAGE)

1. Démarrer la machine comme prévu au paragraphe précédent.
2. Tout en gardant les mains sur le guidon (D, Fig. 18), déplacer la machine et commencer le travail de lavage/séchage du sol.



AVERTISSEMENT!

Afin d'éviter d'endommager la surface du sol à nettoyer :

ne pas utiliser la brosse/disque à sec lorsque la machine est au repos, arrêter la rotation de la brosse/disque au moyen du bouton-poussoir (A, Fig. 18).



AVERTISSEMENT!

Avant de soulever la brosse/disque, en arrêter la rotation au moyen du bouton-poussoir (A, Fig. 18).

3. Si besoin est, modifier la quantité de solution distribuée à la brosse/disque, à l'aide du levier (B, Fig. 18).



REMARQUE

Pour un lavage / séchage correct du sol près du mur, Clarke recommande d'approcher le côté droit de la machine.



AVERTISSEMENT!

En cas de surcharge des moteurs des brosses / plateaux support disque, dû à corps étrangers qui empêchent leur mouvement, ou à sols difficiles / brosses dures, un système de sécurité arrête les brosses / plateaux support disque après un minute environ de surcharge continue.

La condition de surcharge est indiquée par le clignotement simultané des trois témoins lumineux (A, B, C, Fig. 17).

Si la surcharge persiste, les brosses / plateaux support disque s'arrêtent.

Pour reprendre le travail après l'arrêt de la brosse / plateau support disque à cause de la surcharge, il est nécessaire d'arrêter la machine, en portant les interrupteurs de brosse / plateau support disque et du système d'aspiration (D et E) en position "0". Démarrer à nouveau la machine en positionnant les interrupteurs de brosse / plateau support disque et du système d'aspiration (D et E) sur "I".

Déchargement des batteries pendant le travail

4. Tant que le témoin lumineux vert (A, Fig. 17) reste allumé, les batteries permettent le fonctionnement normal de la machine.

Lorsque le témoin vert (A) s'éteint et les témoins jaune (B) et rouge (C) s'allument en séquence, procéder au rechargement de la batterie, parce que l'autonomie résiduelle de fonctionnement de la machine est minimum.



AVERTISSEMENT!

Ne pas insister à utiliser la machine avec batteries déchargées, pour ne pas endommager les batteries en réduisant leur vie utile.

Réglage de la vitesse d'avance de la machine

5. La vitesse d'avance de la machine peut varier selon le type de sol à nettoyer et le choix d'utiliser la brosse ou le disque.

Si besoin est, il est possible de régler la vitesse d'avance en suivant la procédure au chapitre Entretien.

TRANSPORT/STATIONNEMENT DE LA MACHINE

Pour le transport/stationnement de la machine lorsqu'elle n'est pas au travail (lavage et/ou séchage), procéder comme suit.

1. Positionner les interrupteurs de rotation brosse et d'aspiration (D et E, Fig. 17) sur "0".
2. Soulever l'embouchure en tournant le levier (C, Fig. 18)

vers le haut.

3. Saisir le guidon (A, Fig. 19) et le baisser légèrement jusqu'à ce que la roue arrière (B) touche le sol, comme indiqué dans la figure. Tout en gardant la machine dans cette condition, la pousser dans le lieu de transport/stationnement.

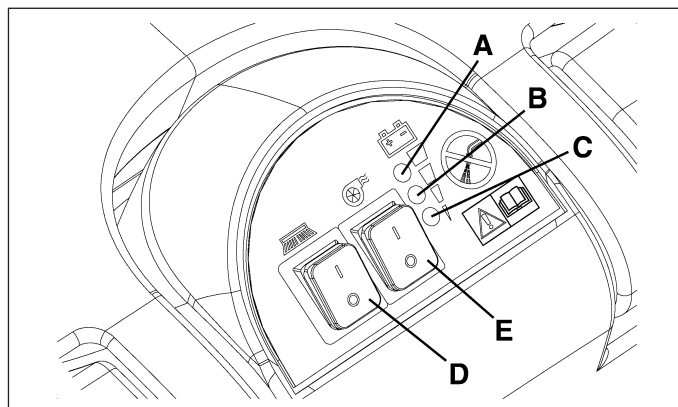


Figure 17

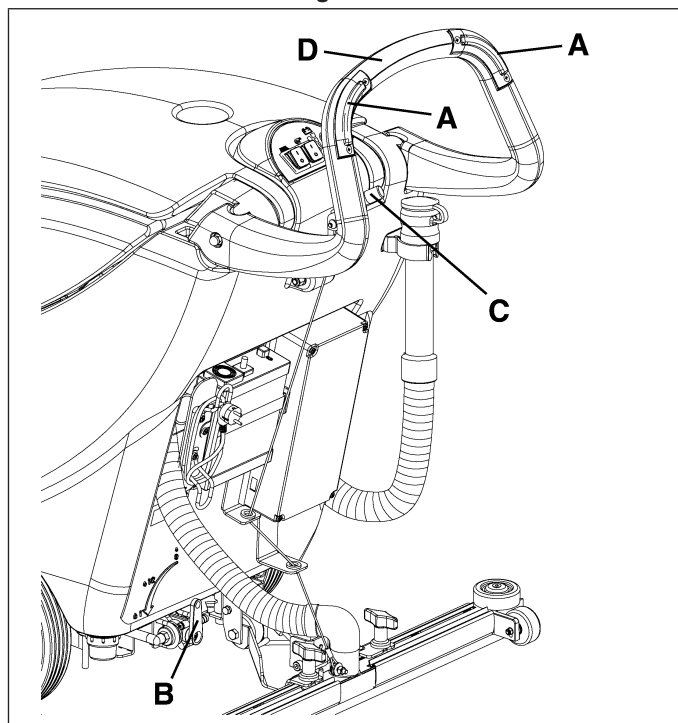


Figure 18

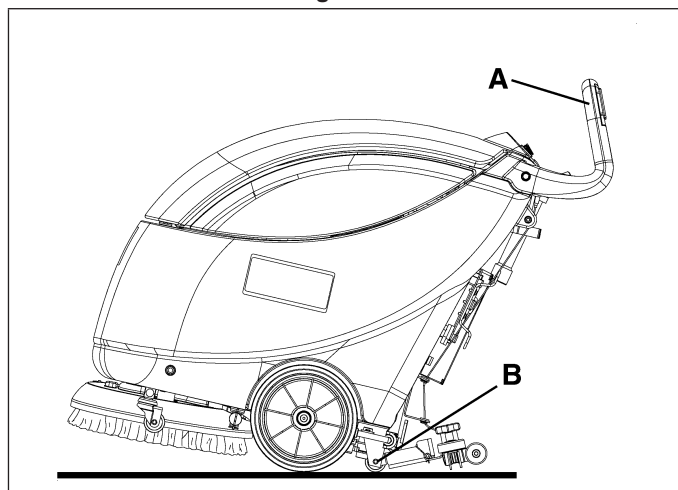


Figure 19

VIDANGE DES RESERVOIRS

Un système de fermeture automatique à flotteur (A, Fig. 20) bloque le système d'aspiration lorsque le réservoir de récupération (B) est plein.

Le blocage du système d'aspiration, dû au remplissage du réservoir de l'eau de récupération, peut être détecté grâce à l'augmentation soudaine de la fréquence du bruit du moteur d'aspiration et à l'arrêt de l'aspiration de l'eau de récupération.

Lorsque le réservoir de l'eau de récupération (B, Fig. 20) est plein, le vider en procédant comme suit.

Vidange du réservoir de l'eau de récupération

1. Arrêter la machine en positionnant les interrupteurs de rotation brosse et d'aspiration (A et B, Fig. 21) sur "0".
2. Soulever l'embouchure au moyen du levier (C, Fig. 21).
3. Pousser la machine dans la zone destinée à l'écoulement.
4. Au moyen du guidon, soulever la brosse/disque et activer le dispositif de stationnement (D, Fig. 21) après avoir actionné la goupille correspondante (E).
5. Dégager le tuyau de vidange de l'eau de récupération (F, Fig. 21) du support (G), ouvrir le couvercle (H), puis abaisser le tuyau (F) et vider le réservoir de l'eau de récupération. Le travail effectué, rincer le réservoir à l'eau propre.

Vidange du réservoir de la solution

6. Exécuter les points de 1 à 4.
7. Vider le réservoir de la solution en ouvrant la soupape de vidange (I, Fig. 21). Le travail effectué, rincer le réservoir à l'eau propre.

APRES L'UTILISATION DE LA MACHINE

Le travail effectué, avant de laisser la machine :

1. Décrocher la brosse/plateau support disque en procédant comme suit :
 - Positionner l'interrupteur de la brosse (A, Fig. 21) sur "1".
 - Avec la brosse/plateau support disque soulevé, appuyer sur l'un ou les deux boutons-poussoirs (J, Fig. 21) pour quelques secondes, puis les relâcher : cette procédure permet de dégager la brosse/plateau support disque.
2. Vider les réservoirs (B et C, Fig. 20), en procédant comme indiqué au paragraphe précédent.
3. Effectuer les opérations d'entretien prévues après l'utilisation de la machine (voir le chapitre Entretien).
4. Garder la machine dans un endroit sec et propre, avec la brosse/disque et l'embouchure soulevés ou déposés.

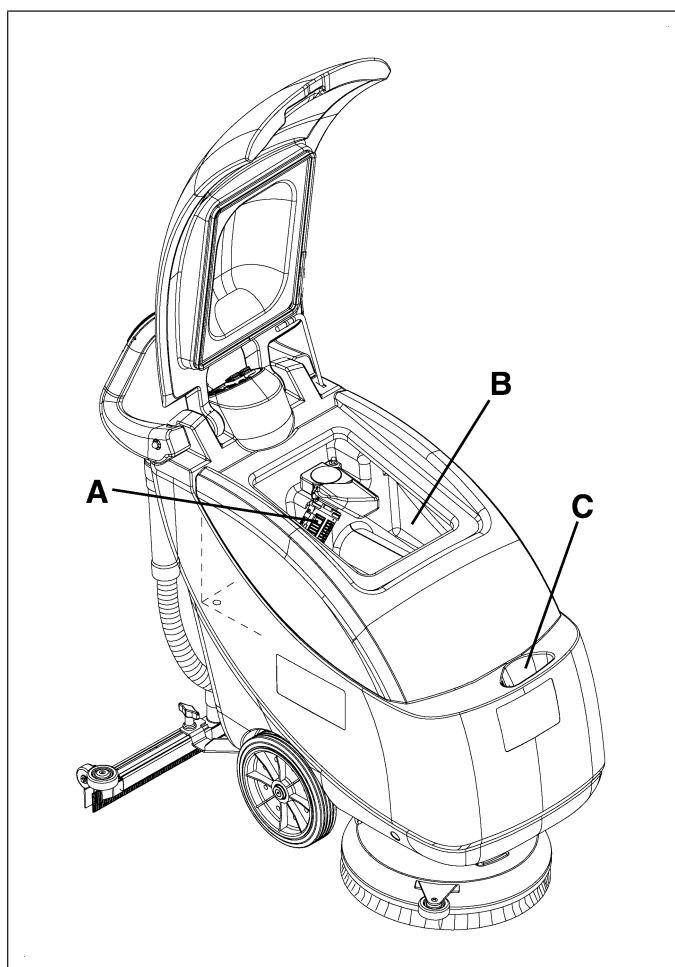


Figure 20

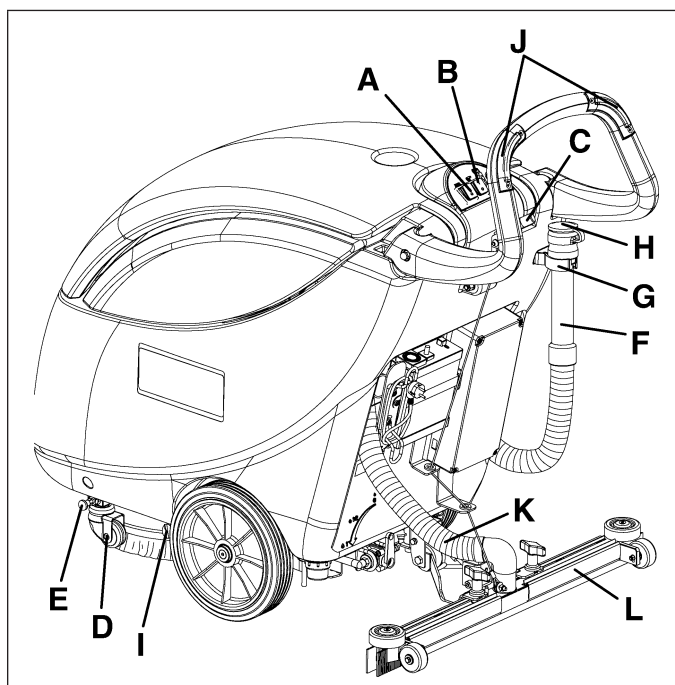


Figure 21

DEPOSE DU RESERVOIR DE L'EAU DE RECUPERATION

Pour contrôler ou charger les batteries ou pour d'autres opérations, il peut être nécessaire de déposer le réservoir de l'eau de récupération (A, Fig. 23) en procédant comme suit.

1. Vider le réservoir (A, Fig. 23) en procédant comme indiqué au paragraphe spécifique.
2. Porter la machine sur un sol plat.
3. Contrôler que les interrupteurs (A et B, Fig. 22) sont en position "0".
4. Déconnecter le tuyau d'aspiration (C, Fig. 22) de l'embouchure (D).
5. Déconnecter le tuyau de vidange de l'eau de récupération (E, Fig. 22) du support (F).
6. Ouvrir le couvercle (B, Fig. 23) et insérer le support (C) du couvercle.
7. Saisir le réservoir de l'eau de récupération (A, Fig. 23) dans la zone (D) et le soulever légèrement, comme indiqué dans la figure.
8. Déconnecter le tuyau d'aspiration (E, Fig. 23) du réservoir, puis déposer le réservoir (A) avec les tuyaux (F) et (G).

INACTIVITE PROLONGEE DE LA MACHINE

Si on prévoit de ne pas utiliser la machine pendant plus de 30 jours, il est convenable d'effectuer les opérations suivantes :

1. Effectuer les opérations prévues au paragraphe Après l'utilisation de la machine.
2. Débrancher les bornes négatives des batteries après avoir déposé le réservoir de l'eau de récupération (A, Fig. 23), comme indiqué au paragraphe précédent.
3. Reposer le réservoir de l'eau de récupération (A, Fig. 23).
4. Garder la machine dans un endroit sec et propre, avec la brosse/disque et l'embouchure soulevés ou déposés.

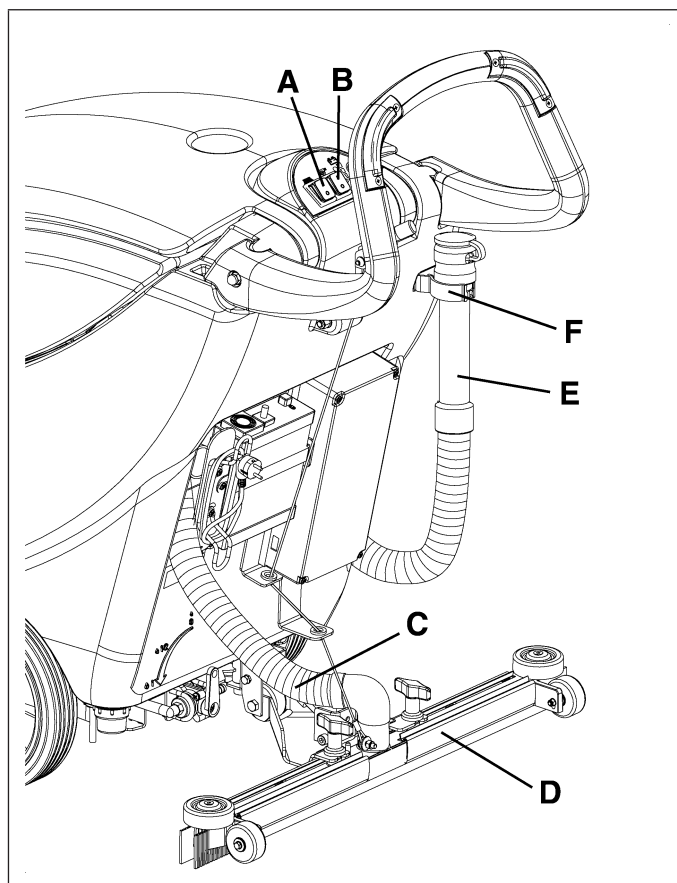


Figure 22

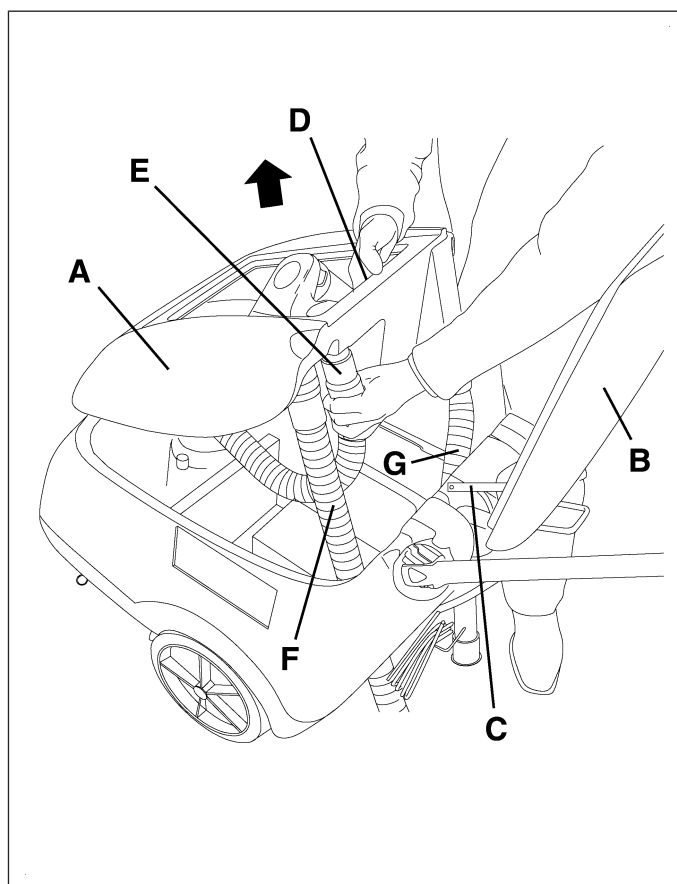


Figure 23

ENTRETIEN



ATTENTION!

Toutes les opérations d'entretien ou de réparation doivent être effectuées par du personnel autorisé ou par un Service après-vente autorisé.



ATTENTION!

Les opérations doivent être effectuées avec :

- la machine à l'arrêt
- les batteries débranchées
- le câble électrique de branchement du chargeur de batterie au réseau électrique débranché

En outre, lire attentivement toutes les instructions du chapitre Consignes de sécurité pour l'opérateur avant d'effectuer toute opération d'entretien.

La durée de vie de la machine et sa sécurité de fonctionnement sont garanties par un entretien soigné et régulier.

Veuillez trouver ci-dessous le Plan d'entretien programmé. Les périodicités indiquées peuvent subir des variations en fonction de conditions de travail particulières, à définir par le responsable de l'entretien.

Après le Plan d'entretien programmé, seulement les opérations d'entretien les plus simples et les plus récurrentes sont indiqués.

PLAN D'ENTRETIEN PROGRAMME

Opération	Quotidienne ou après l'utilisation de la machine	Hebdomadaire	Semestrielle	Annuelle
Nettoyage embouchure				
Nettoyage brosse				
Nettoyage réservoirs et grille d'aspiration avec flotteur				
Chargement batteries				
Contrôle/remplacement lamelles en caoutchouc embouchure				
Nettoyage filtre de solution				
Contrôle serrage vis et écrous			(1)	
Contrôle ou remplacement charbons moteur électrique brosse				(2)
Contrôle ou remplacement charbons moteur électrique d'aspiration				(2)

(1): et après les 8 premières heures de travail

(2): pour ces opérations d'entretien, contacter un Service après-vente autorisé Clarke

NETTOYAGE DE L'EMBOUCHURE



REMARQUE

Pour un bon séchage, l'embouchure doit être propre et les lamelles en caoutchouc doivent être en bon état.



AVERTISSEMENT!

Lors du nettoyage de l'embouchure, il est conseillé de porter des gants de protection à cause de la présence éventuelle de débris tranchants.

1. Contrôler que les interrupteurs (A et B, Fig. 24) sont en position "0".
2. Baisser l'embouchure (D, Fig. 24) à l'aide du levier (C).
3. Déconnecter le tuyau d'aspiration (E, Fig. 24) de l'embouchure.
4. Desserrer les boutons (F, Fig. 24) et déposer l'embouchure (D).
5. Laver et nettoyer l'embouchure de la saleté et des déchets.
6. Contrôler que la lamelle en caoutchouc avant (C, Fig. 25) et la lamelle en caoutchouc arrière (D) ne sont pas usées et qu'elles ne présentent pas de coupures ou déchirures et, si besoin est, les remplacer (voir la procédure au paragraphe suivant).
7. Pour la repose, procéder dans l'ordre inverse de la dépose.

CONTROLE/REPLACEMENT DES LAMELLES EN CAOUTCHOUC DE L'EMBOUCHURE

1. Nettoyer l'embouchure comme décrit au paragraphe précédent.
2. Contrôler que le bord (E, Fig. 25) des lamelles en caoutchouc avant et le bord (F) de la lamelle en caoutchouc arrière se posent simultanément sur le plan, et en toute leur longueur ; en cas contraire, régler leur hauteur en procédant comme suit :
 - régler la lamelle en caoutchouc avant (C, Fig. 25) et arrière (D) après avoir déposé les ressorts de fixation (G)
 - reposer les ressorts de fixation sur les lamelles en caoutchouc avant et arrière correctement réglées.
3. Contrôler que la lamelle en caoutchouc avant (C, Fig. 25) et la lamelle en caoutchouc arrière (D) ne sont pas usées et, si besoin est, les remplacer en procédant comme suit :
 - remplacer la lamelle en caoutchouc après avoir déposé les ressorts de fixation (G, Fig. 25)



REMARQUE

Pendant le remplacement, vérifier que les parties saillantes des lamelles avant sont orientées en avant et que les parties saillantes des lamelles arrière sont orientées en arrière.

- Insérer à nouveau les ressorts de fixation (G, Fig. 25).
4. Reposer l'embouchure (D, Fig. 24) et serrer les boutons (F).
 5. Connecter le tuyau d'aspiration (E, Fig. 24) à l'embouchure (D).

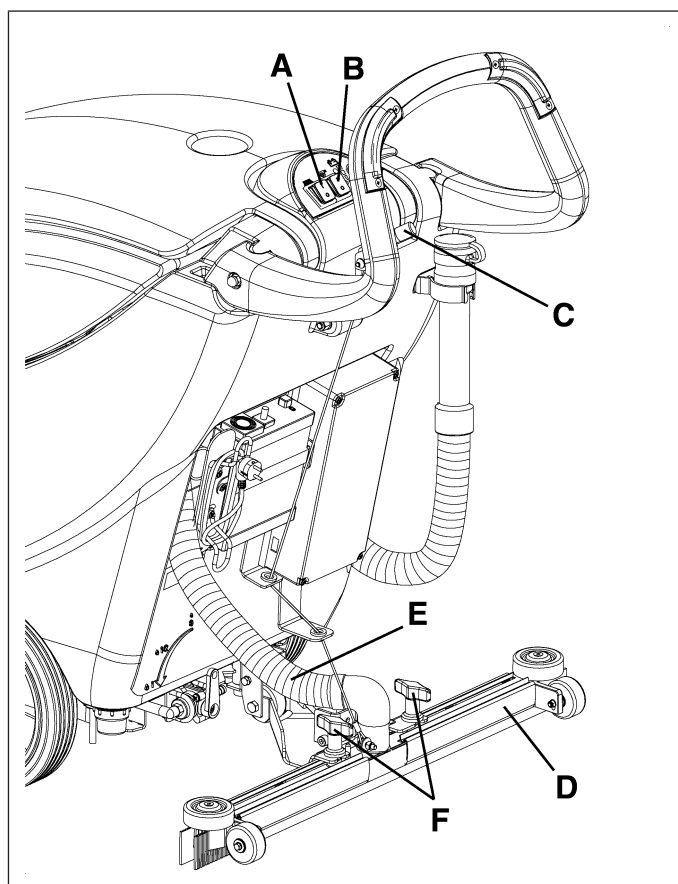


Figure 24

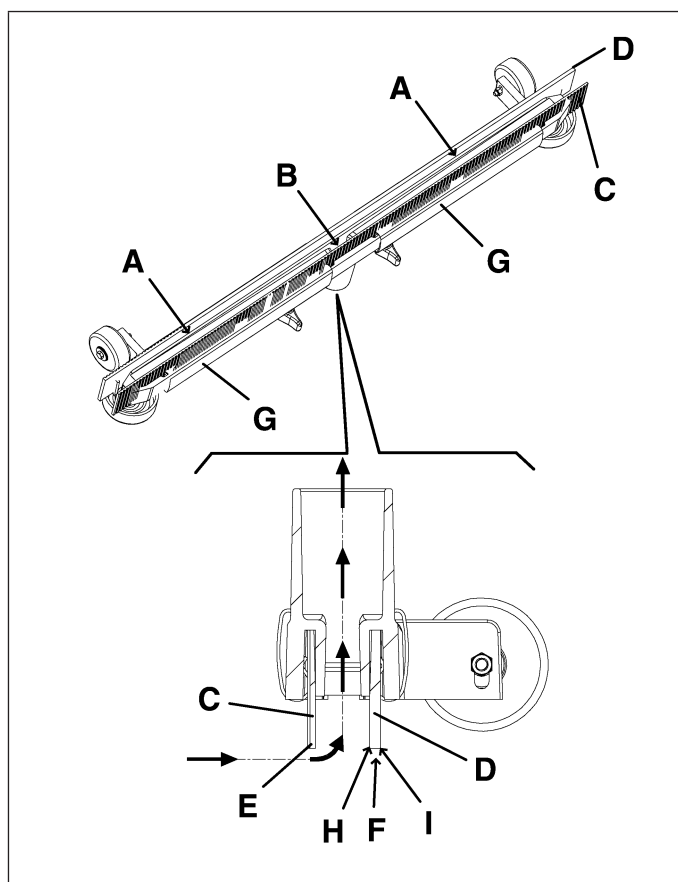


Figure 25

NETTOYAGE DE LA BROSSE



AVERTISSEMENT!

Lors du nettoyage de la brosse, il est conseillé de porter des gants de protection à cause de la présence éventuelle de débris tranchants.

1. Déposer la brosse de la machine comme prévu au chapitre Utilisation.
2. Nettoyer et laver la brosse avec de l'eau et de la solution.
3. Contrôler que les poils de la brosse sont intacts et non excessivement usés ; en cas contraire, remplacer la brosse.

NETTOYAGE DES RESERVOIRS ET DE LA GRILLE D'ASPIRATION AVEC FLOTTEUR

1. Pousser la machine dans la zone destinée à l'écoulement.
2. Contrôler que les interrupteurs (A et B, Fig. 26) sont en position "0".
3. Soulever le couvercle (A, Fig. 27), insérer le support (B) du couvercle, nettoyer et laver à l'eau propre le couvercle, les réservoirs (C et D) et la grille d'aspiration (E). Vider l'eau des réservoirs à l'aide du tuyau (C, Fig. 26) et de la soupape (D).
4. Si besoin est, dégager les dispositifs de retenue (F, Fig. 27) et ouvrir la grille (E), puis déposer le flotteur (G) et nettoyer soigneusement ; enfin reposer en place.
5. Contrôler l'usure du joint d'étanchéité (H, Fig. 27) du couvercle du réservoir de l'eau de récupération.



REMARQUE

Le joint d'étanchéité (H, Fig. 27) permet la création d'une dépression dans le réservoir, nécessaire à l'aspiration de l'eau de récupération.

Si besoin est, déposer le joint d'étanchéité (H, Fig. 27) de son logement (I) et le remplacer.

Lors de la pose du nouveau joint d'étanchéité, positionner le raccord (J) dans la zone (centrale) indiquée dans la figure.

6. Contrôler aussi l'intégrité et l'efficacité de la surface d'appui (K, Fig. 27) du joint d'étanchéité (H).
7. Contrôler que l'orifice d'aération (L, Fig. 27) n'est pas obstrué, en cas contraire le nettoyer.



REMARQUE

L'orifice (L, Fig. 27), en permettant la compensation de l'air dans l'interstice du couvercle, contribue à la création de dépression dans le réservoir.

8. Fermer le couvercle (A, Fig. 27) après avoir inséré le support (B) du couvercle.

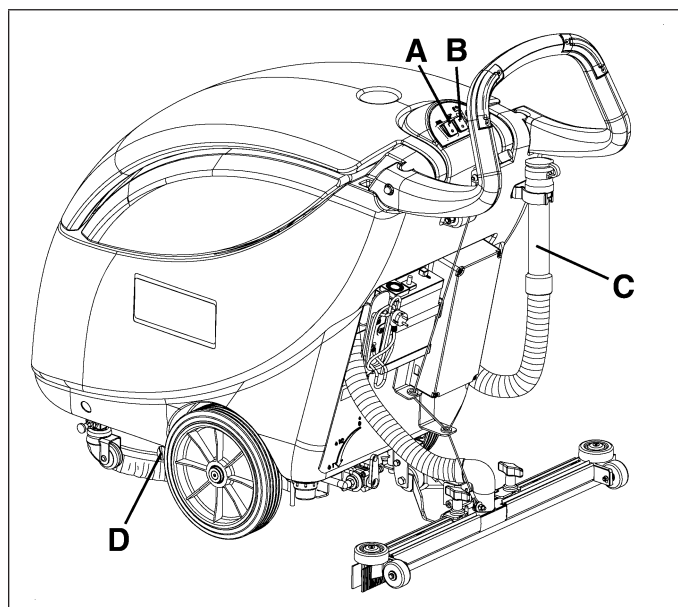


Figure 26

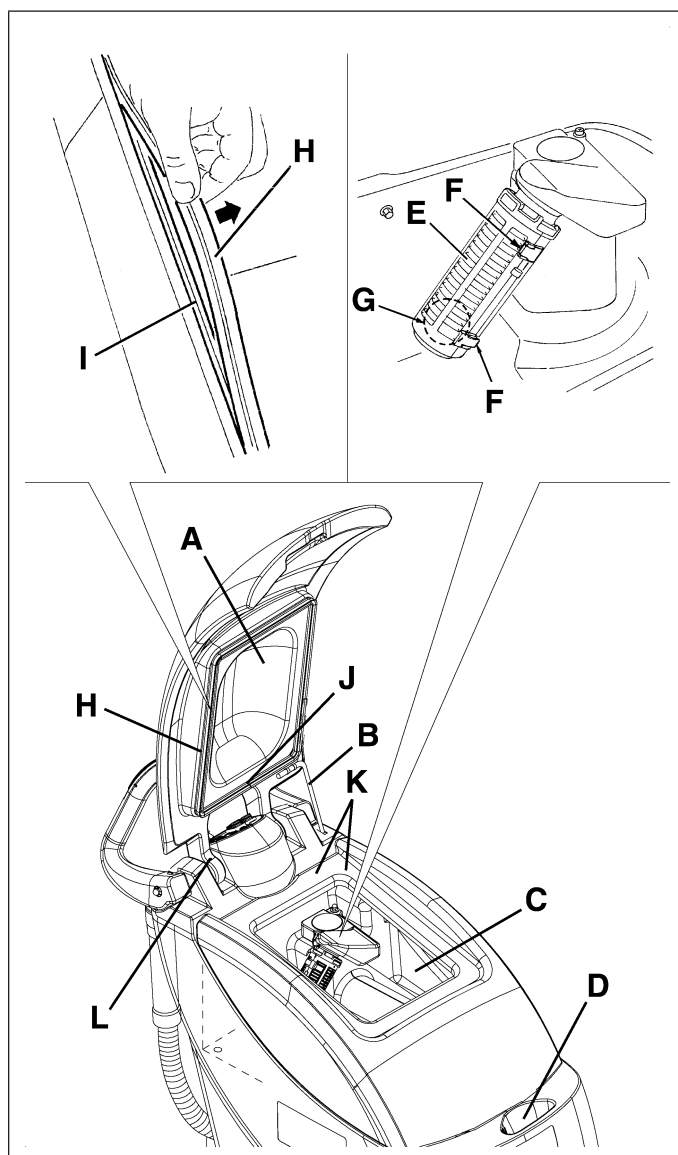


Figure 27

NETTOYAGE DU FILTRE DE SOLUTION

1. Vider le réservoir de la solution (A, Fig. 28) en procédant comme indiqué au paragraphe spécifique.
2. Porter la machine sur un sol plat.
3. Contrôler que les interrupteurs (B et C, Fig. 28) sont en position "0".
4. Dévisser le couvercle transparent (D, Fig. 28) et déposer le filet filtrant (E), puis les nettoyer et les reposer sur le support (F).



REMARQUE

Positionner correctement le filet filtrant (E, Fig. 28) dans le logement (G) du support (F).

REGLAGE DE LA VITESSE D'AVANCE DE LA MACHINE



REMARQUE

La vitesse d'avance de la machine peut varier selon le type de sol à nettoyer et le choix d'utiliser la brosse ou le plateau support disque.

Effectuer le réglage en procédant comme suit.

1. Déposer le réservoir de l'eau de récupération comme indiqué au chapitre Utilisation.
2. Régler la vitesse d'avance de la machine au moyen de la vis (A, Fig. 29) en procédant comme suit :
 - desserrer la vis (B, Fig. 29), sur le côté droit de la machine, en la tournant dans le sens inverse aux aiguilles d'une montre ;
 - tourner la vis de réglage (A, Fig. 29) dans le sens inverse aux aiguilles d'une montre pour augmenter la vitesse d'avance de la machine
 - tourner la vis de réglage (A, Fig. 29) dans le sens des aiguilles d'une montre pour réduire la vitesse d'avance de la machine
 - le réglage effectué, serrer la vis (B, Fig. 29).
3. Reposer le réservoir de l'eau de récupération comme indiqué au chapitre Utilisation.
4. Avec la machine en fonction, effectuer des essais pratiques pour vérifier si la vitesse d'avance de la machine est correcte et, le cas échéant, répéter les points de 1 à 4.

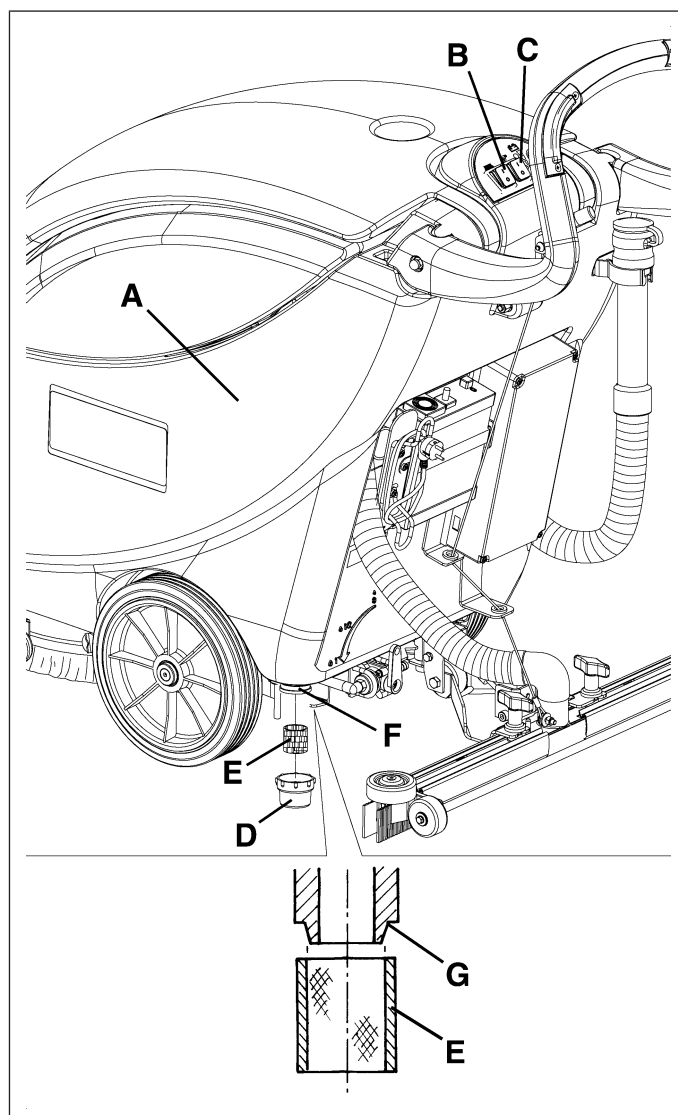


Figure 28

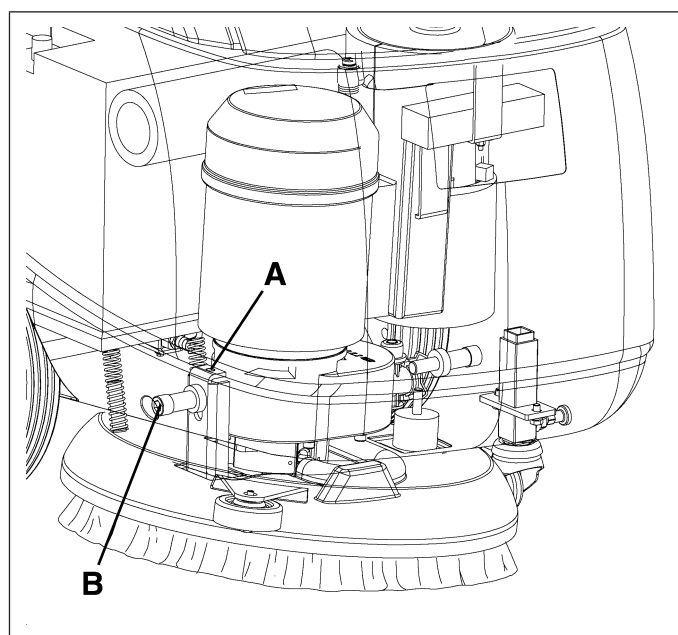


Figure 29

CHARGEMENT DES BATTERIES



REMARQUE

Charger les batteries lorsque les témoins lumineux (A ou B, Fig. 30) s'allument et à chaque fin de travail. Garder les batteries chargées prolonge leur vie.



AVERTISSEMENT!

Lorsque les batteries sont déchargées, les recharger dès que possible, car cela réduirait leur durée de vie utile.

Contrôler la charge des batteries au moins une fois par semaine.



AVERTISSEMENT!

Le chargement des batteries doit être effectué dans un endroit intérieur et sec.

1. Pour le cycle successif de chargement des batteries, porter la machine dans un endroit intérieur et sec.
2. Charger les batteries, en procédant comme suit.
3. Vérifier que le câble (A, Fig. 31) du chargeur de batterie est branché à une prise électrique avec une tension et une fréquence conformes aux valeurs indiquées sur la plaque avec numéro de série/données techniques (D).



REMARQUE

Lorsque le chargeur de batterie est branché au réseau, toutes les fonctions de la machine sont automatiquement exclues.

Si le témoin lumineux vert (C, Fig. 31) clignote, il indique que le chargement des batteries est en cours.

4. Lorsque le témoin lumineux vert (B, Fig. 31) reste allumé, le cycle de chargement des batteries est terminé.
5. Le cycle de chargement terminé, débrancher le câble électrique (A, Fig. 31) du chargeur de batterie du réseau électrique et l'enrouler autour du logement correspondant situé sur la machine.
6. La machine est prête à être utilisée.



REMARQUE

Pour de plus amples informations relatives au fonctionnement du chargeur de batterie (C, Fig. 31), se référer au Manuel spécifique.

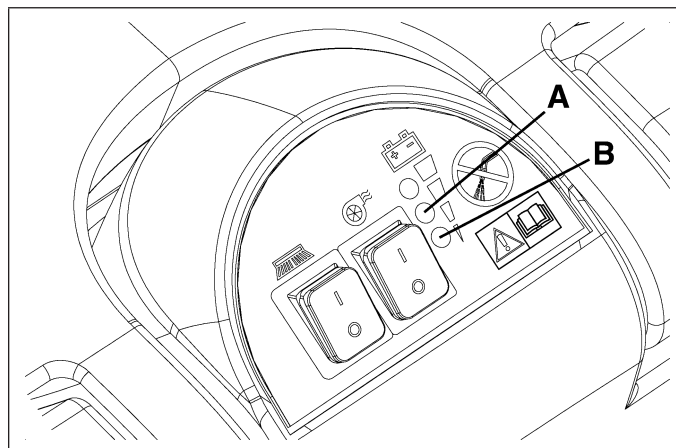


Figure 30

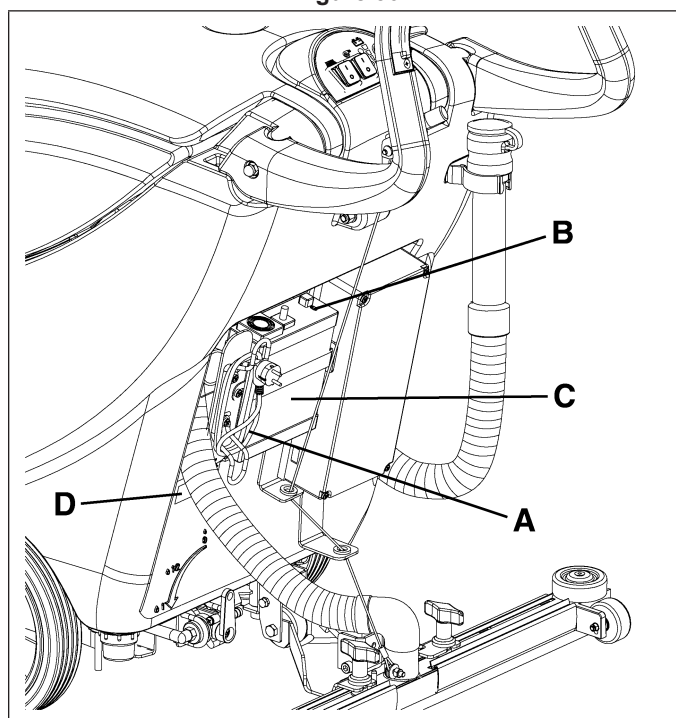


Figure 31

CONTROLE/REPLACEMENT DES FUSIBLES

1. Déposer le réservoir de l'eau de récupération comme indiqué au chapitre Utilisation.
2. Débrancher les bornes négatives des batteries.
3. Dévisser les vis (A, Fig. 32) et déposer le couvercle (B) du boîtier des composants électriques.
4. Contrôler/remplacer les fusibles :
 - Fusible brosse (C, Fig. 32) : (40 A)
 - Fusible aspiration (D, Fig. 32) : (40 A)
 - Fusible électrovanne et carte électronique (E, Fig. 32) : (5 A)
5. Pour la repose, procéder dans l'ordre inverse de la dépose.

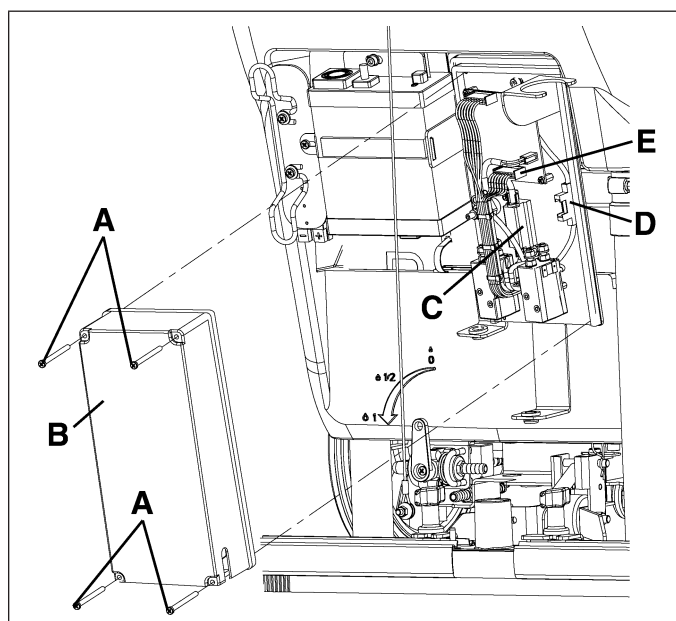


Figure 32

ACCESSOIRES/OPTIONS Vantage 17 Batterie

Outre les composants présents dans le modèle standard, la machine peut être livrée avec les accessoires/options suivants, selon l'emploi spécifique de la machine :

Pour de plus amples informations relatives aux accessoires optionnels susmentionnés, s'adresser au revendeur agréé.

ACCESSOIRES/OPTIONS

909 5691 000 Brosse Midlite Grit 180 de 17"
 L08812891 Brosse Prolene PPL de 17"
 909 5695 000 Plateau support disque 410

DEPISTAGE DES PANNES ET REMEDES POSSIBLES

PROBLEME	CAUSE POSSIBLE	REMEDE
Allumage raté moteurs.	Bornes batteries débranchées ou incrustées.	Brancher ou nettoyer les bornes des batteries.
	Batteries complètement déchargées.	Charger les batteries.
Les témoins lumineux clignotent simultanément.	Surcharge des moteurs des brosses.	Utiliser des brosses moins dures ou de type différente.
	Présence de corps étrangers (fils entortillés, etc.) qui risquent de freiner la rotation des brosses.	Nettoyer les moyeux de brosses.
Allumage raté moteur d'aspiration.	Fusible grillé.	Remplacer le fusible.
Aspiration eau de récupération insuffisante.	Réservoir eau de récupération plein.	Vider.
	Grille d'aspiration obstruée ou flotteur bloqué en position fermée.	Nettoyer la grille d'aspiration et le flotteur.
	Tuyau d'aspiration déconnecté de l'embouchure ou défectueux.	Connecter ou réparer/remplacer.
	Embouchure sale ou lamelles en caoutchouc usées ou endommagées.	Nettoyer l'embouchure ou remplacer les lamelles en caoutchouc.
	Couvercle réservoir eau de récupération pas correctement fermé, joint d'étanchéité endommagé ou orifice d'aération obstrué.	Fermer correctement le couvercle ou remplacer le joint d'étanchéité ou nettoyer l'orifice d'aération.
Flux de solution aux brosses insuffisant.	Filtre de solution sale.	Nettoyer le filtre.
	Orifice de sortie réservoir eau de récupération obstrué.	Nettoyer l'orifice.
Traces laissées par l'embouchure.	Débris sous les lamelles en caoutchouc de l'embouchure.	Enlever les débris.
	Lamelles en caoutchouc d'embouchure usées, ébréchées ou déchirées.	Remplacer les lamelles en caoutchouc.

Clarke[®]

Vantage 17

Battery



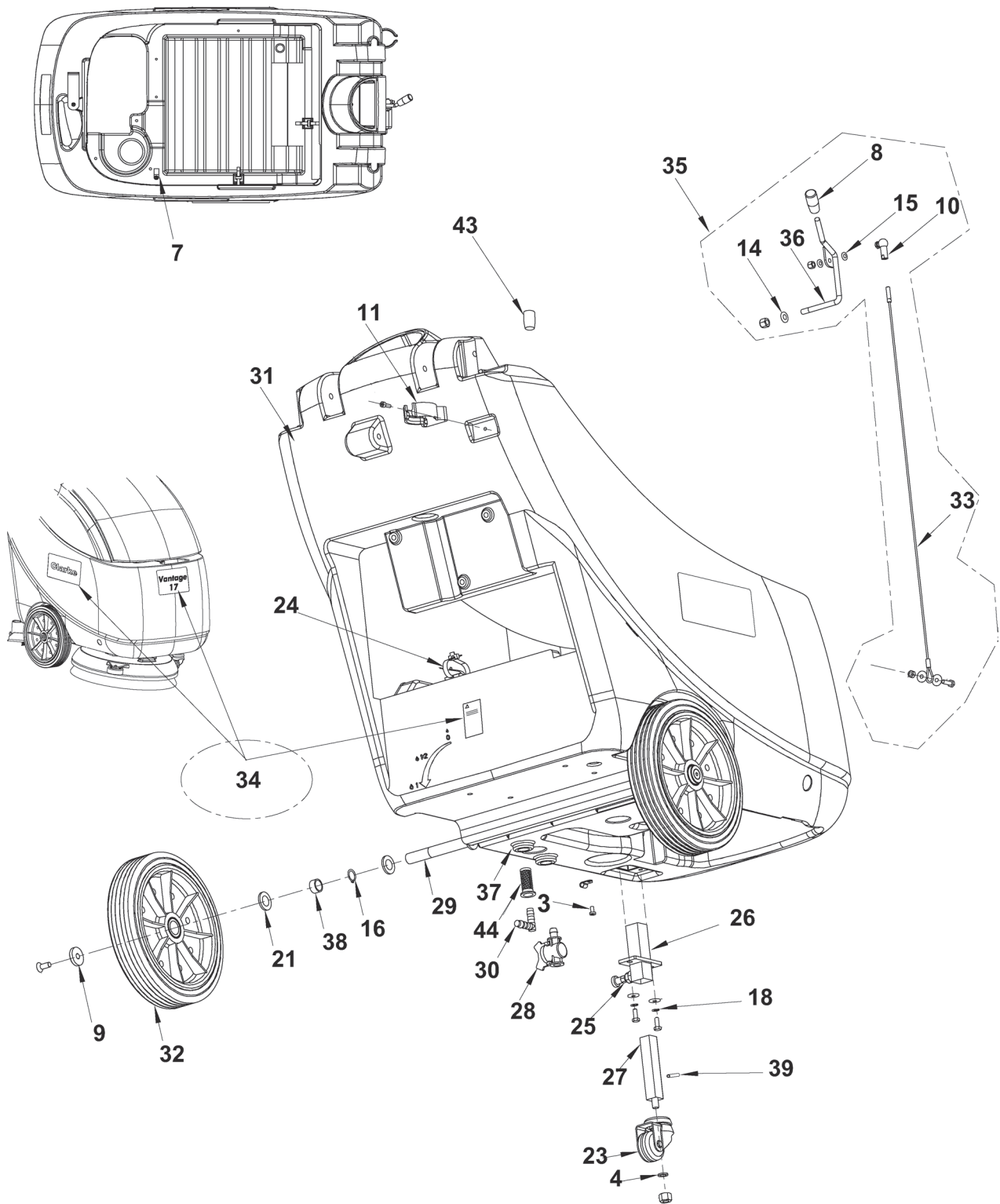
Parts List

[] = Not shown

* = optional

= Modified item No. or New item No.

Solution Tank - 11/08

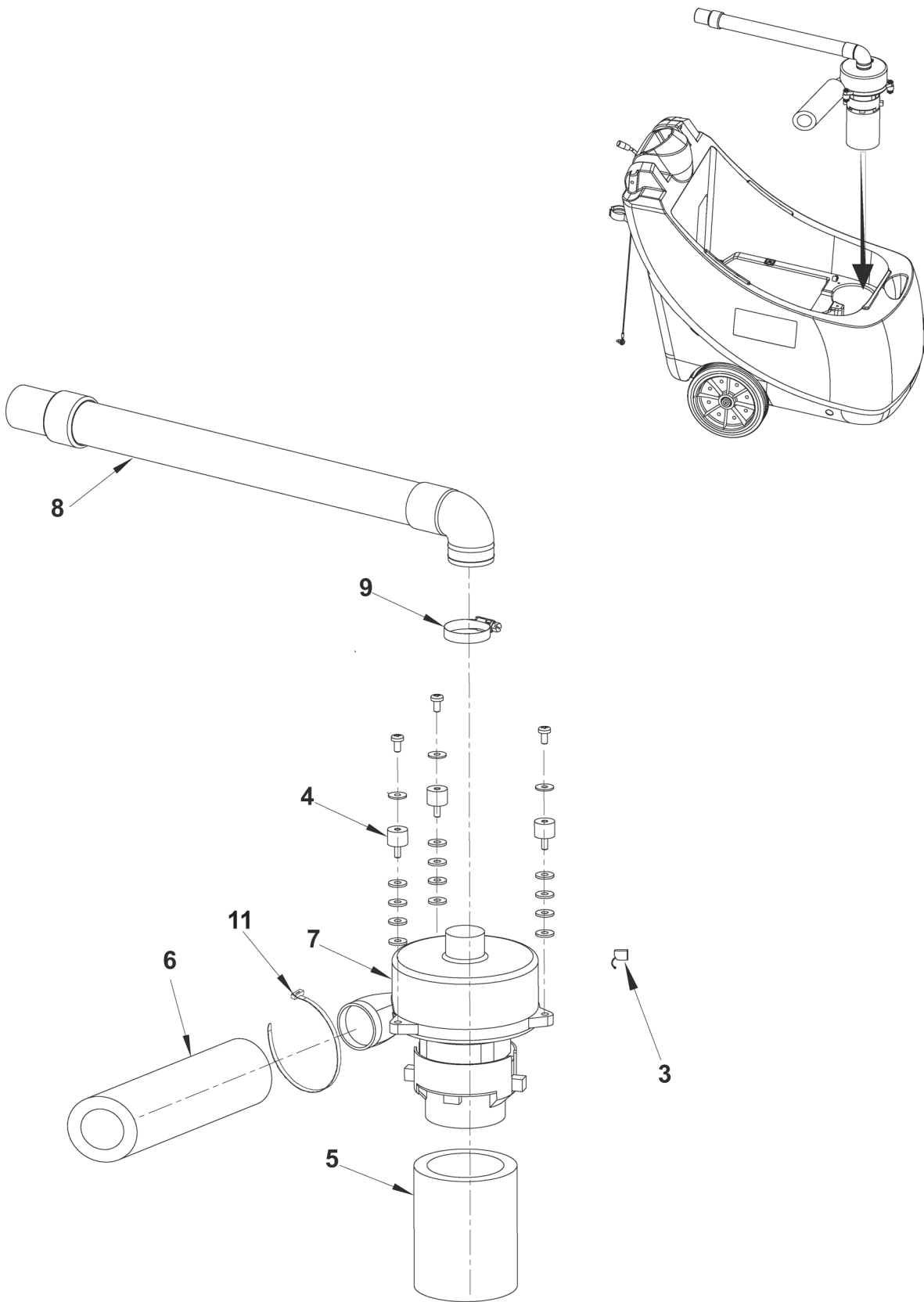


Solution Tank - 11/09

Ref.	Part No.	Description	Qty
3	L08603041	SCREW M5X10 (SOLUTION TANK HARDWARE KIT)	5
4	33005916	WASHER FLAT 11X16	1
7	L08603845	CABLE CLAMP	1
8	L08812349	KNOB (KIT SQUEEGEE LIFT CABLE)	1
9	L08812392	SPACER	2
10	145 8479 000	BALL JOINT (KIT SQUEEGEE LIFT CABLE)	1
11	909 6380 000	CLAMP KIT (SOLUTION TANK HARDWARE KIT)	1
14	33005915	WASHER FLAT 8X17 (KIT SQUEEGEE LIFT CABLE - SOLUTION TANK HARDWARE KIT)	1
15	33005913	WASHER FLAT 6X12,5 (KIT SQUEEGEE LIFT CABLE - SOLUTION TANK HARDWARE KIT)	2
16	33006056	RETAINING RING (SOLUTION TANK HARDWARE KIT)	2
18	33005851	WASHER SPLIT (SOLUTION TANK HARDWARE KIT)	2
21	33005919	WASHER FLAT 16X30 (SOLUTION TANK HARDWARE KIT)	6
23	909 5560 000	WHEEL	1
24	145 0524 000	CLAMP	3
25	909 5641 000	INDEXING PLUNGER	1
26	909 5649 000	SUPPORT	1
27	909 5658 000	SUPPORTING ROD	1
28	909 5696 000	VALVE	1
29	909 5748 000	WHEELS SHAFT	1
30	909 5285 000	ELBOW 90° Ø10	1
31	909 6271 000	SOLUTION TANK	1
32	9096919000	WHEEL	2
33	909 6283 000	SQUEEGEE LIFTING CABLE (KIT SQUEEGEE LIFT CABLE)	1
34#	909 6821 000	DECALS KIT CLARKE VANTAGE17 BATTERY	1
35	909 6437 000	KIT SQUEEGEE LIFT CABLE	1
36	909 6296 000	SQUEEGEE LIFTING LEVER (KIT SQUEEGEE LIFT CABLE)	1
37	909 5286 000	GASKET	2
38	145 2676 000	SPACER (SOLUTION TANK HARDWARE KIT)	2
39	909 6441 000	PIN 3X20	1
[40]	909 6438 000	SOLUTION TANK HARDWARE KIT	1
[41]	909 6226 000	RUBBER SHOCK ABSORBER KIT	1
[42]	909 6227 000	INSTALL. INSTRUCTION F RUBBER SHOCK ABSORBER KIT	1
43	909 6236 000	BLACK CAP	1
44*	9096916000	FILTER	1

NOTE: # indicates a change has been made since the last publication of this manual

Vacuum System - 11/08

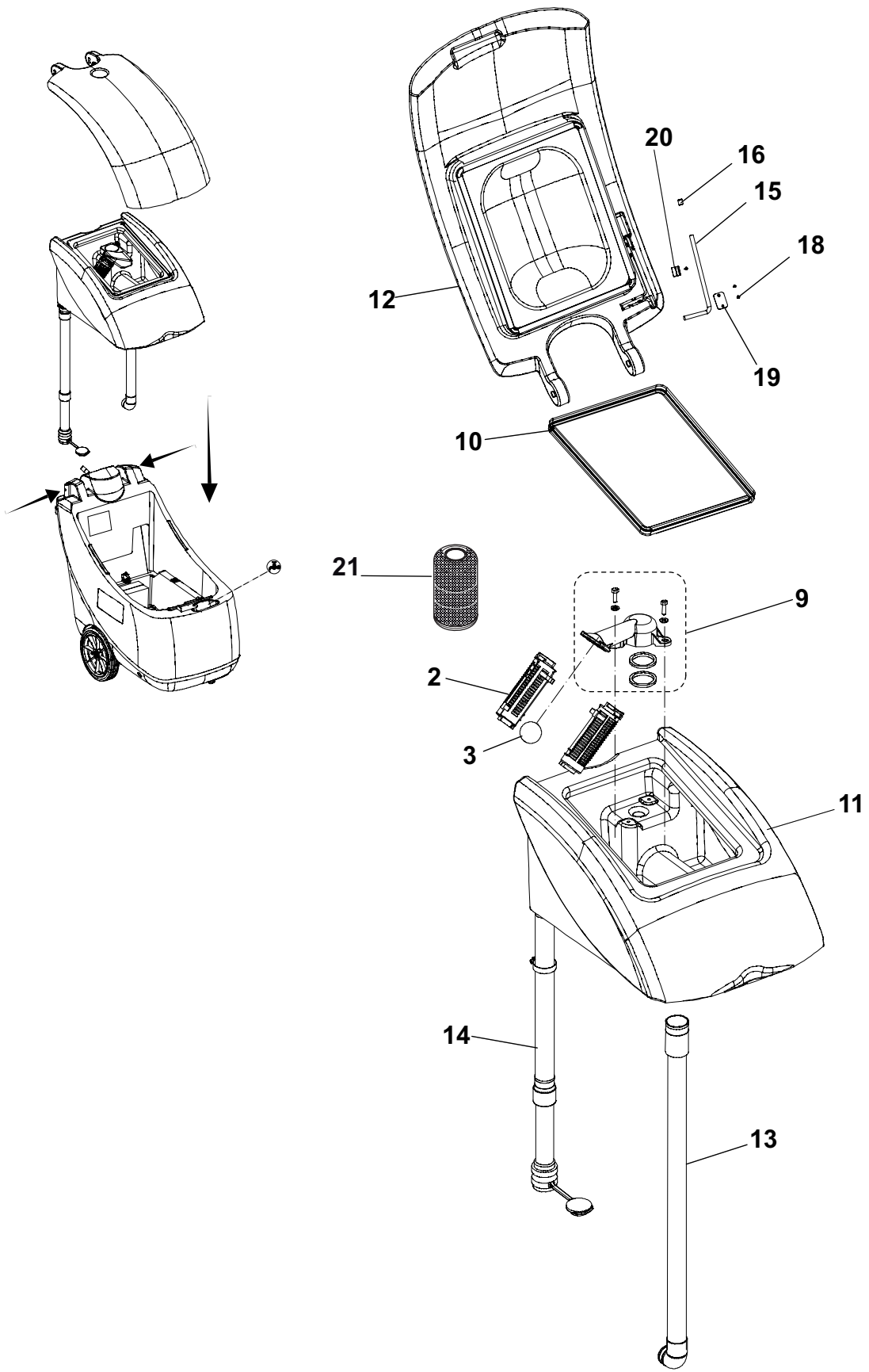


Vacuum System - 11/09

Ref.	Part No.	Description	Qty
3	909 5371 000	CARBON BRUSH FOR OLD MOTOR	2
3#	9098231000	CARBON BRUSH KIT STARTING FROM S.NO.....	1
4	909 5198 000	VIBRATION DAMPING M6	3
5	909 5564 000	PIPE ACOUSTIC INSULATION	1
6	909 5565 000	PIPE ACOUSTIC INSULATION	1
7#	9098233000	KIT VACUUM MOTOR WITH CONNECTOR	1
8	909 5579 000	VACUUM MOTOR HOSE	1
9	145 0543 000	HOSE CLAMP	1
[10]	909 5987 000	VACUUM SYSTEMS HARDWARE KIT	1
11	L08812587	CLAMP 4,8X430 WHITE	1
[12]	9098474000	HARDWARE VACUUM FIXING KIT	1

NOTE: # indicates a change has been made since the last publication of this manual

Recovery Tank - 11/09

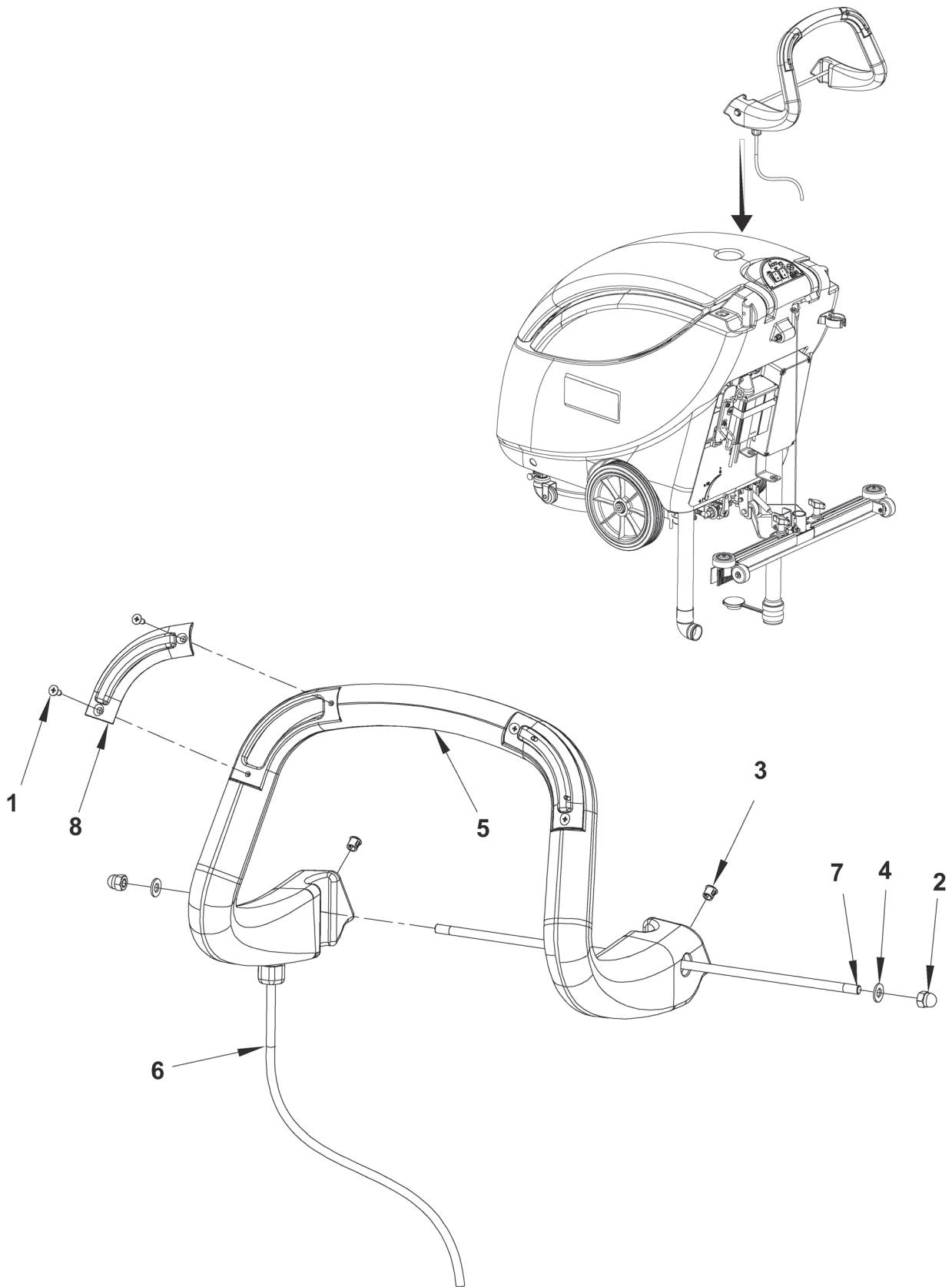


Recovery Tank - 11/09

Ref.	Part No.	Description	Qty
2	L08812259	FLOAT CAGE	2
3	L08812373	FLOATING BALL	1
8	9097730000	CAGE FLOAT HOLDER KIT	1
[9]	9097731000	INSTRUCTIONS INSTALLATION CAGE FLOAT HOLDER KIT	1
10	909 6268 000	GASKET 1370 MM	1
11	909 6272 000	RECOVERY TANK	1
12	909 6273 000	TANK COVER	1
13	909 6289 000	VACUUM HOSE	1
14#	9098256000	DRAIN HOSE	1
15	909 6762 000	LEVER FOR FIXING COVER	1
16	L08603935	BLACK CAP	1
18	145 1756 000	SCREW 9.9X9.5 SS	3
19	909 6473 000	LEVER FIXING PLATE	1
20	909 6575 000	LEVER FIXING CLAMP	1
[22]	909 5988 000	RECOVERY TANK HARDWARE KIT	1

NOTE: # indicates a change has been made since the last publication of this manual

Handle Assembly

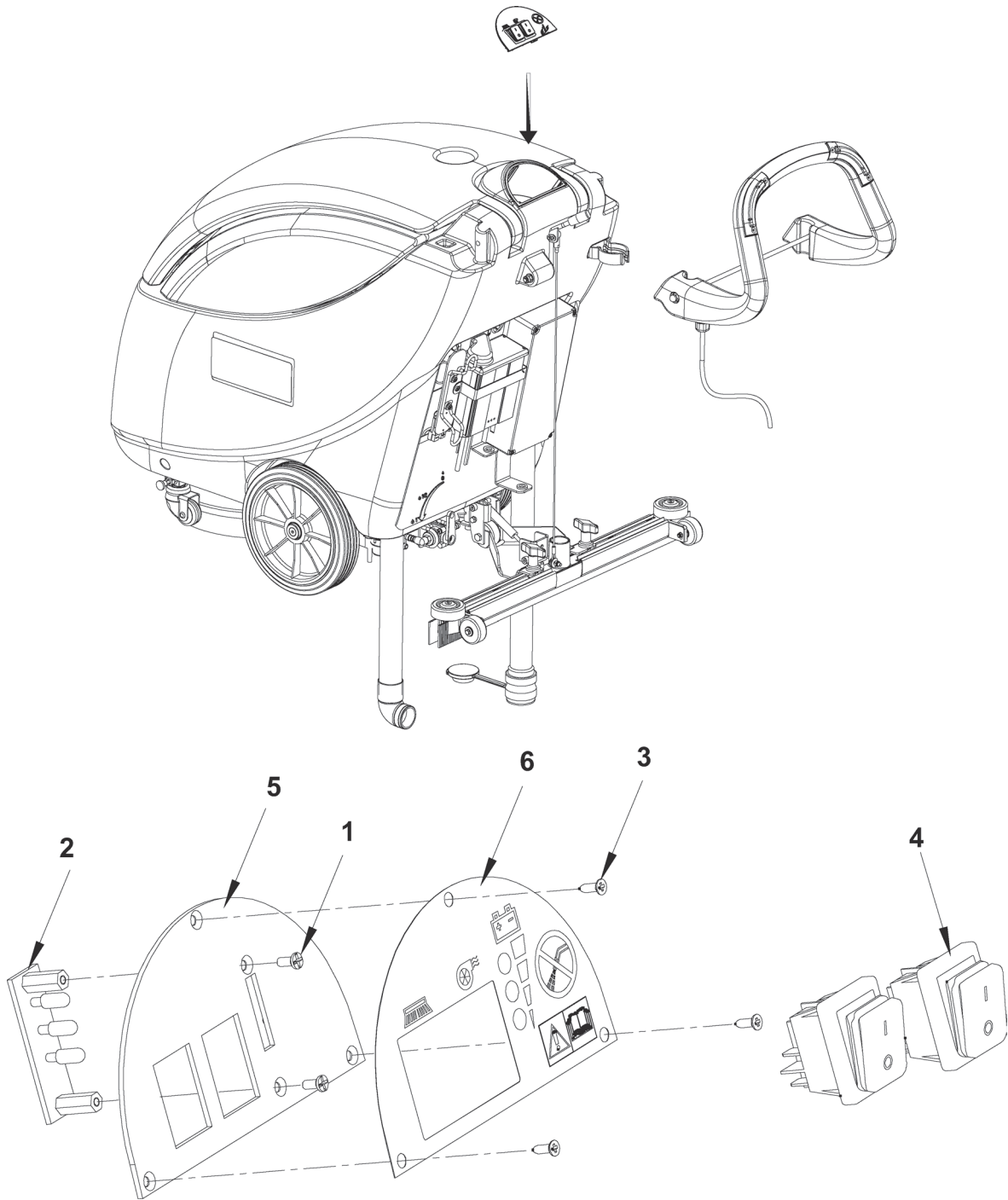


Handle Assembly - 06/08

Ref.	Part No.	Description	Qty
1	L08812074	SCREW 4.2X16 THD FORM	4
2	32400258	NUT M8	2
3	145 4262 000	CAP D. 9.5	2
4	33005915	WASHER FLAT 8X17	2
5	909 6488 000	HANDLE BAR PE	1
6	909 6768 000	HARNESS HANDLE CABLE	1
7	909 6774 000	PIN HANDLE BAR	1
8	11053A	SWITCH ASSEMBLY	2

NOTE: # indicates a change has been made since the last publication of this manual

Control Panel Assembly

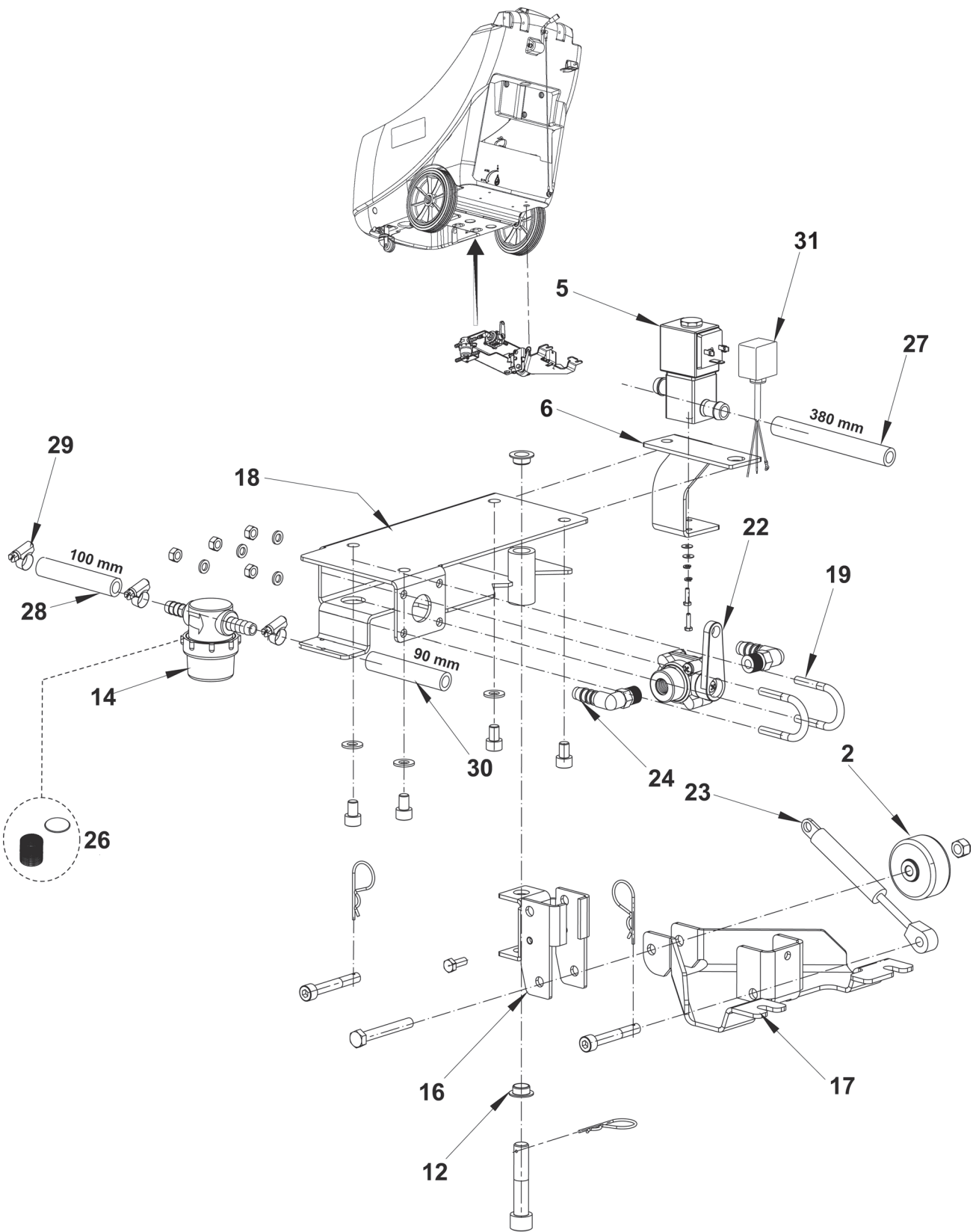


Control Panel Assembly - 11/09

Ref.	Part No.	Description	Qty
1	33005101	SCREW M3X8	2
2	L08812909	BOARD LED	1
3	145 1756 000	SCREW 2.9X9 THD FORM SS	3
4	909 5584 000	SWITCH	2
5	909 6275 000	CONTROL PANEL	1
6#	909 6295 000	DECAL CONTROL PANEL	1

NOTE: # indicates a change has been made since the last publication of this manual

Solution System - 11/08



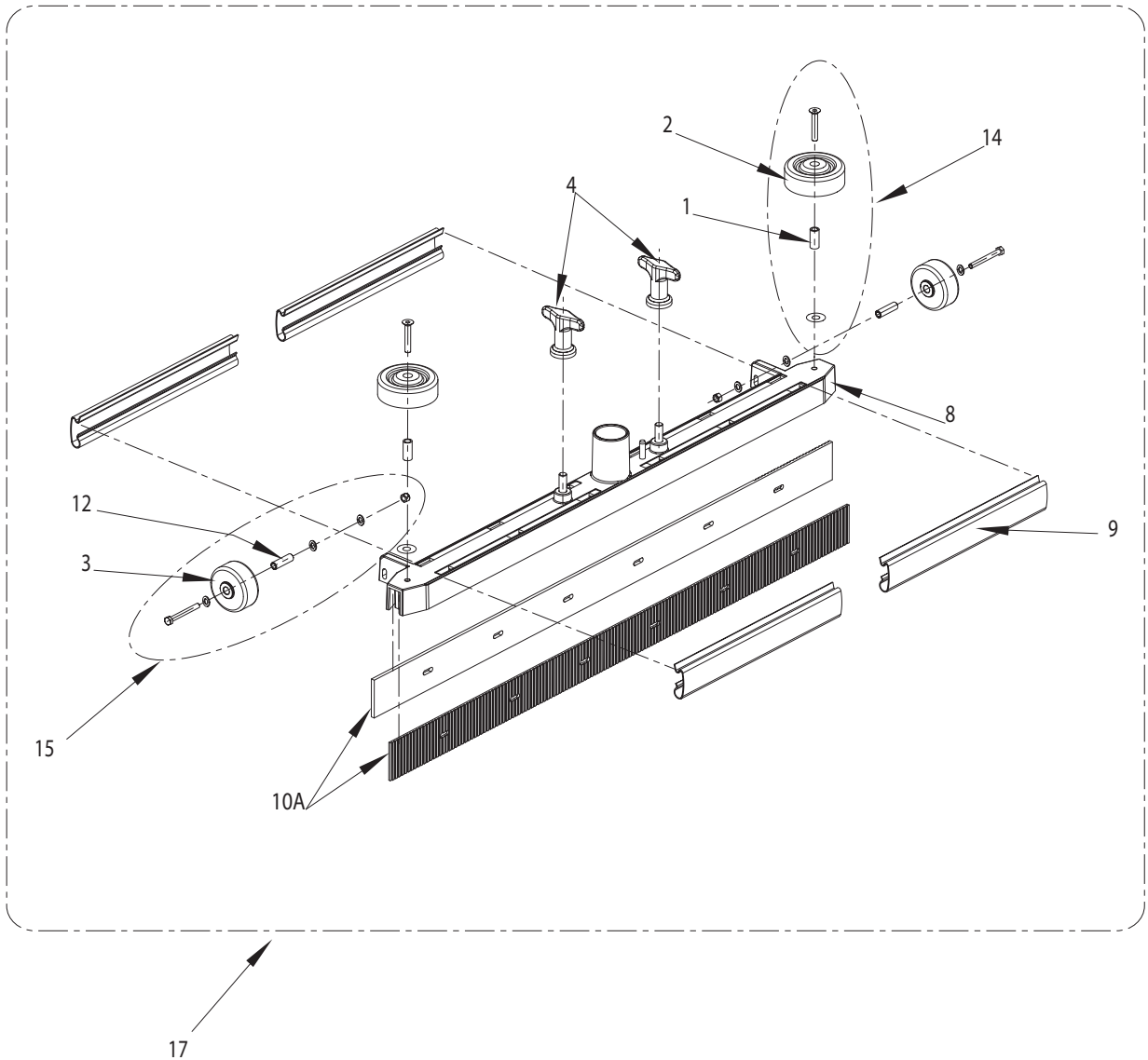
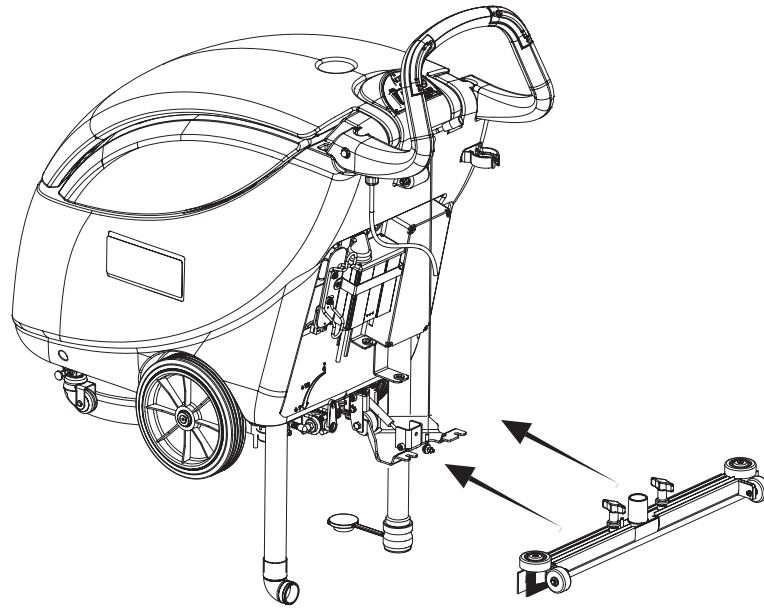
Solution System - 11/09

Ref.	Part No.	Description	Qty
2	L08603665	WHEEL	1
5B	9097738000	SOLENOID VALVE 24V (SOLENOID VALVE KIT)	1
6B	9097866000	BRACKET SOLENOID VALVE	1
12	146 0549 000	BUSHING	2
14A	9097166000	KIT WATER FILTER COMPLETE (SOLENOID VALVE KIT)	1
16	909 6277 000	BRACKET	1
17	909 6278 000	SUPPORT	1
18	909 6280 000	PLATE	1
19	909 5572 000	CLAMP (SOLUTION SYSTEMS HARDWARE KIT)	2
22	909 5632 000	VALVE (SOLENOID VALVE KIT)	1
23	909 5637 000	SPRING	1
24B	909 5651 000	RUBBER HOLDER (SOLENOID VALVE KIT)	2
26	L08603893	KIT FILTER NET WITH GASKET	1
27B	9097868000	HOSE Ø12 380 MM (SOLENOID VALVE KIT)	1
28	909 5026 000	HOSE Ø10 100 MM (SOLENOID VALVE KIT)	1
29	145 8582 000	CLAMP 8/ 9-16 (SOLENOID VALVE KIT)	3
30	145 4154 000	HOSE Ø10 90 MM (SOLENOID VALVE KIT)	1
31B	9097874000	CONNECTOR FOR SOLENOID VALVE	1
[32B]	909 5977 000	SOLENOID VALVE KIT (5,14,22,24,27,28,29,30)	1
[33B]	9097873000	INSTRUCTIONS INSTALLATION SOLENOID VALVE KIT	1
[34]	909 5990 000	SOLUTION SYSTEMS HARDWARE KIT	1

A: SEE TSB IT 2007-021 - B: SEE TSB IT 2008-016

NOTE: # indicates a change has been made since the last publication of this manual

Squeegee Assembly - 11/09



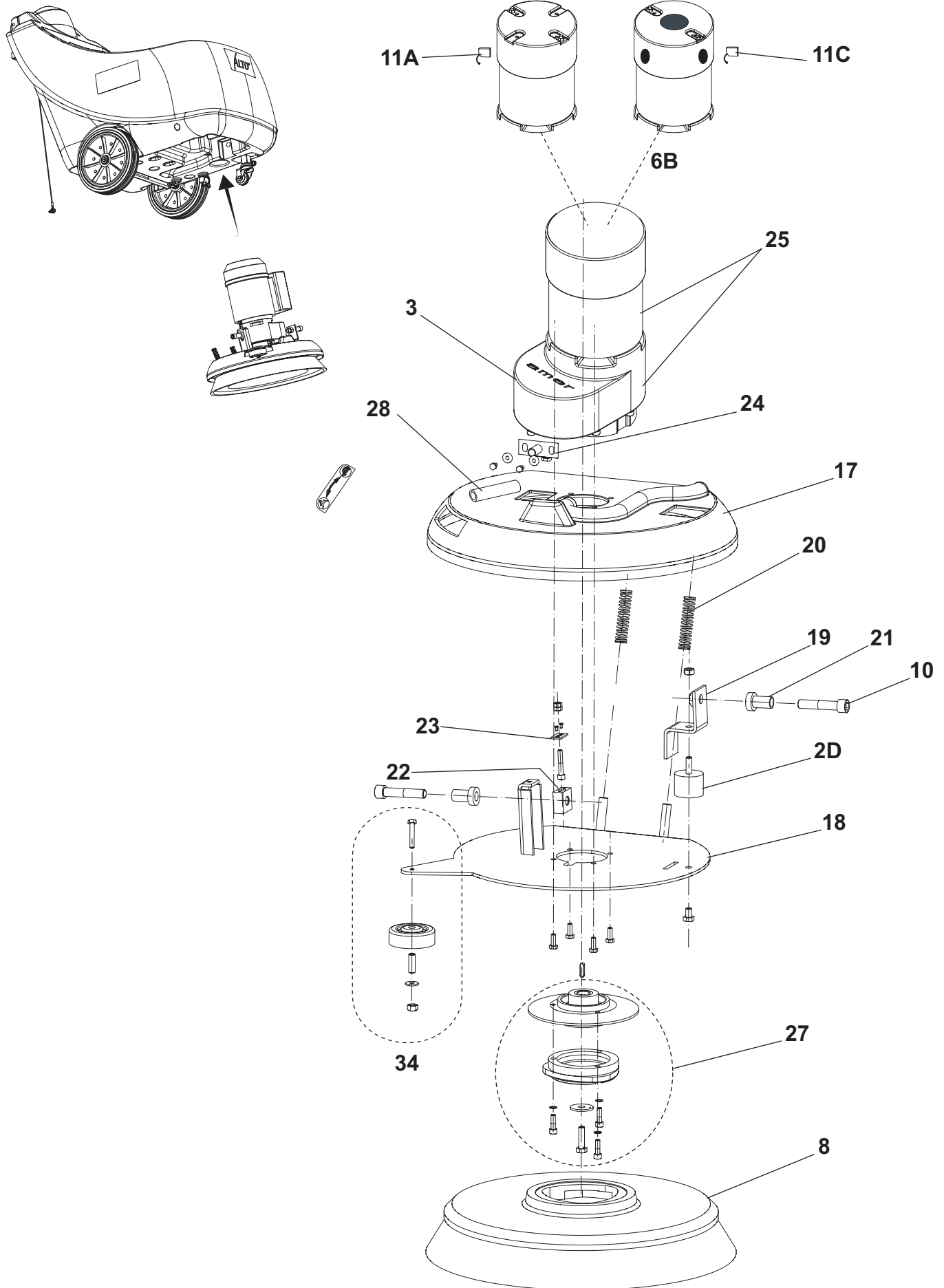
Squeegee Assembly - 11/08

Ref.	Part No.	Description	Qty
1	L08812937	SPACER (KIT SQUEEGEE BUMPER ROLLER - KIT SQUEEGEE COMPLETE - SQUEEGEE ASSEMBLY HARDWARE KIT)	2
2	L08602460	BUMPER ROLLER (KIT SQUEEGEE BUMPER ROLLER - KIT SQUEEGEE COMPLETE - SQUEEGEE ASSEMBLY HARDWARE KIT)	2
3	L08603665	SQUEEGEE WHEEL (KIT SQUEEGEE WHEEL - KIT SQUEEGEE COMPLETE)	2
4#	9097637000	KIT SQUEEGEE FIXING (KIT SQUEEGEE COMPLETE - SQUEEGEE ASSEMBLY HARDWARE KIT)	1
8	909 5554 000	SQUEEGEE WELDMENT (KIT SQUEEGEE COMPLETE)	1
9	909 5555 000	SPRING (KIT SQUEEGEE COMPLETE)	4
10A	9097354000	BLADES POLYURET. KIT	1
12	909 5607 000	SPACER (KIT SQUEEGEE WHEEL - KIT SQUEEGEE COMPLETE - SQUEEGEE ASSEMBLY HARDWARE KIT)	2
14	L08603880	KIT SQUEEGEE BUMPER ROLLER	1
15	909 5703 000	KIT SQUEEGEE WHEEL	1
17	909 5702 000	KIT SQUEEGEE COMPLETE	1
[18]	909 5991 000	SQUEEGEE ASSEMBLY HARDWARE KIT	1

A: SEE TSB IT 2008-007

NOTE: # indicates a change has been made since the last publication of this manual

Brush System - 11/09



Brush System - 11/09

Ref.	Part No.	Description	Qty
2D	9097184000	VIBRATION DAMPING	1
3	L08603849	REDUCTION GEAR	1
6B	9097114000	ELECTRIC MOTOR	1
8	909 5695 000	PAD DRIVER	1
10	146 2826 000	SCREW 12X55	2
11A	909 5720 000	CARBON BRUSH SET (4 PCS)	1
11C	909 6893 000	CARBON BRUSH KIT	1
17	909 5550 000	BRUSH PROTECTION	1
18	909 6269 000	PLATE BRUSH SUPPORT	1
19	909 6270 000	BRACKET	1
20	909 5558 000	SPRING	2
21	909 5559 000	BUSHING	2
22	909 5585 000	BRUSH DECK ADJUSTER BLOCK	1
23	909 5586 000	PLATE	1
24	909 6217 000	HOSE COPPER	1
25	9097113000	REDUCTIONGEARMOTOR 520W	1
27	L08812589	POLYG.HOLDER W.FLANGE KIT	1
28	909 5622 000	HOSE Ø10 640 MM	1
30	33005604	NUT HEX M6 SELFLOCK. LOW	1
[33]	909 5992 000	BRUSH SYSTEM HARDWARE KIT	1
34	909 5397 000	BUMPER ROLLER KIT (4,5,30)	1

A: BEFORE 2007-02 - B/C: STARTING FROM 2007-02 - SEE TSB IT 2007-011 - D: SEE TSB IT 2007-021

NOTE: # indicates a change has been made since the last publication of this manual

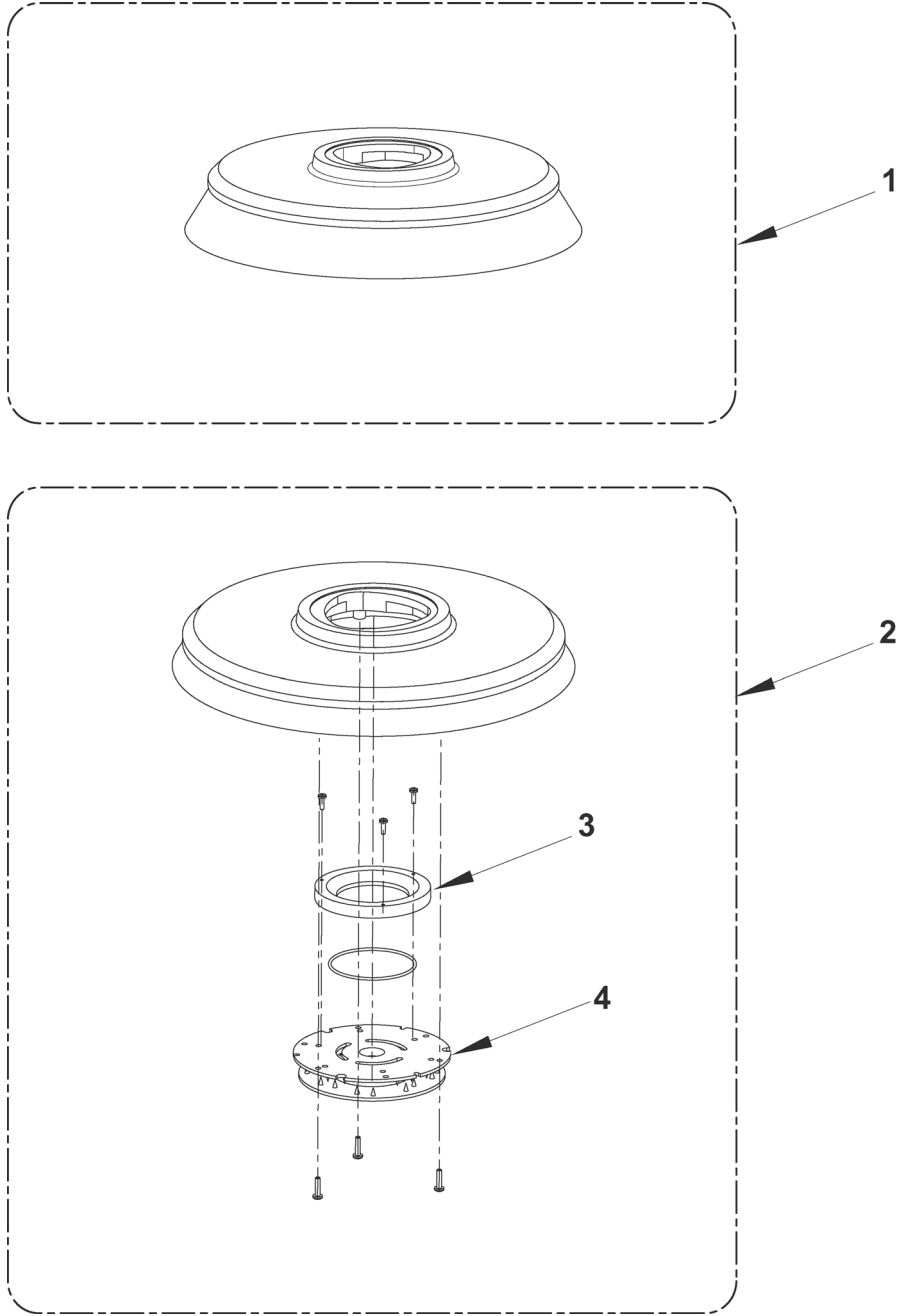
Wiring System - 11/09

Ref.	Part No.	Description	Qty
3	909 6568 000	COVER ELECTRONIC CARD	1
10	33005601	NUT HEX SELFLOCK M3 (WIRING SYSTEM HARDWARE KIT)	2
12	33005915	WASHER FLAT 8X17 (WIRING SYSTEM HARDWARE KIT)	3
14	909 6062 000	KIT BUSH CABLE GIUDE AND RETAINING RING	2
15	33005851	WASHER SPLIT (WIRING SYSTEM HARDWARE KIT)	1
18	146 0656 000	GASKET L=125 MM	1
20	146 0658 000	SCREW M4X8	4
21	146 0708 000	INSULATOR M6 WHITE	1
22	909 5127 000	ELECTROMAGNETIC SWITCH24V	1
23	146 0759 000	DOWEL M6X25 (WIRING SYSTEM HARDWARE KIT)	1
24	146 2118 000	GASKET L=750 MM	1
26	909 5098 000	ELECTRONIC CARD	1
27	146 0719 000	ELECTROMAGNETIC SWITCH 24V	1
28	909 5149 000	SUPPORT BATTERY CHARGER CABLE	1
29A	909 5561 000	BATTERY CHARGER 100V-230V	1
29B	9097046000	BATTERY CHARGER 24V 8/9A 100-240V	1
30A	909 6279 000	BRACKET FOR BATTERY CHARGER	1
30B	909 6429 000	BRACKET FOR BATTERY CHARGER	1
31A	909 5845 000	HARNESS ELECTRONIC CARD	1
31B	909 6427 000	HARNESS ELECTRONIC CARD	1
33	909 6288 000	ELECTRICAL COMPONENTS FITTING PLATE	1
35	9096914000	BATTERY CHARGER CABLE EXTENTION	1
36	L08812670	RESTRAINT	1
37	145 8046 000	FUSE HOLDER	1
38	146 0660 000	BLADE FUSE HOLDER	1
[39]	909 6306 000	MACHINE HARNESS	1
[40]	145 9852 000	BLADE FUSE 5A	1
[41]	145 3824 000	BRUSH STRIP FUSE 40A	1
[42]	145 8513 000	VACUUM BLADE FUSE 30A	1
[43]A	909 5982 000	BATTERY CHARGER POWER CABLE	1
[44]A	909 5983 000	BATTERY CHARGER OUTPUT CABLE	1
[45]A	909 5984 000	BATTERY CHARGER COOLING FAN	1
[46]	L08812093	BOOT BATTERY CLAMPS	4
[47]	909 5955 000	BATTERY HARNESS	1
[48]	145 6062 000	BATTERY CONNECTOR	1
[51]	909 5994 000	WIRING SYSTEM HARDWARE KIT	1
[52]	56206988	BATTERY, 12V GEL 90AH	2
[53]B	145 0227 000	BLADE FUSE 40A	1
[54]B	909 6446 000	FAN COOLING	1
[55]B	909 6447 000	COVER ABS	1
[56]B	909 6448 000	WIRES BATT.CHARGER KIT	1
[57]B	145 1248 000	CAP D. 7,9	1
[58]B	9097051000	BATTERY CHARGER CPL KIT 24V 8/9A 100-240V	1
[59]B	9097052000	INSTALLATION INSTRUCTION KIT, BATTERY CHARGER 24V 8/9A 100-240V	1
[60]	909759000	CABLE BATTERY INTERCONNECTION	1

A: BEFORE SN 072115105 - B: STARTING FROM SN 072115105 - SEE TSB IT 2007-019

NOTE: # indicates a change has been made since the last publication of this manual

Accessories - Pad holder kit



Accessories - Pad holder kit - 06/08

Ref.	Part No.	Description	Qty
1*	L08812891	BRUSH, 17"	1
1*	909 5691 000	BRUSH Ø430 17" MIDLITE GRIT180	1
2*	909 5695 000	PAD HOLDER 410	1
3	L08603966	RING NYLON	1
4	L08837030	RETAINER PAD	1

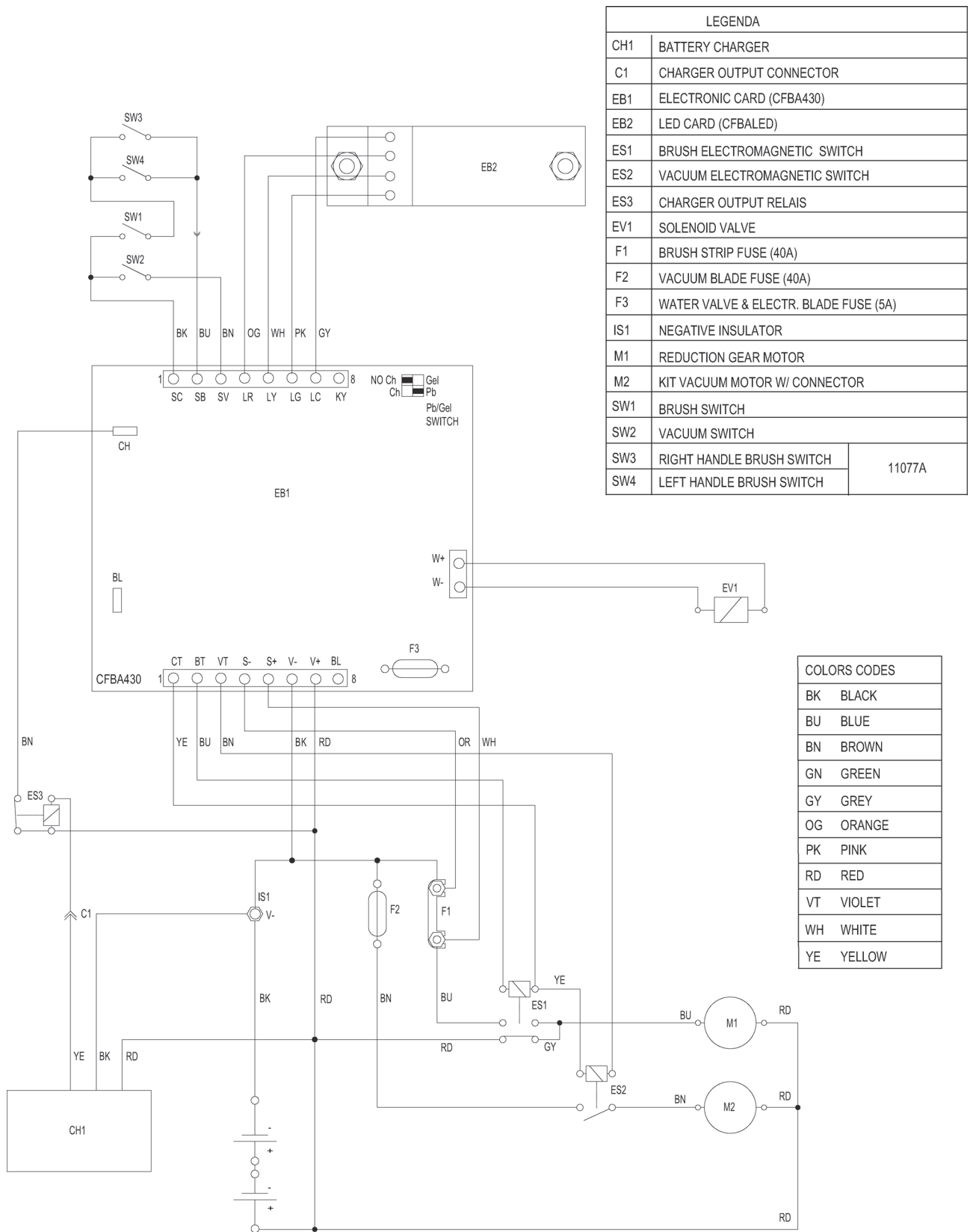
NOTE: # indicates a change has been made since the last publication of this manual

Recommended Spare Parts - 11/09

Ref.	Part No.	Description	Qty
		WEAR PARTS	
[1]	9097166000	KIT WATER FILTER COMPLETE (SEE TSB IT 2007-011)	1
[2]	L08603893	KIT FILTER NET WITH GASKET	1
[3]	909 6268 000	GASKET L = 1370 MM	1
[4]	9097354000	BLADES POLYURET. KIT	1
[6]	909 5555 000	SPRING	4
[7]	L08812891	BRUSH Ø430 PROLENE PPL STD	1
		ORDINARY MAINTENANCE	
[8]#	90982560000	DRAIN HOSE	1
[9]	909 6289 000	SUCTION HOSE	1
[10]	909 5579 000	VACUUM MOTOR HOSE	1
[11]	145 0227 000	BLADE FUSE 40A	1
[12]	145 3824 000	STRIP FUSE 40A	1
[13]	145 9852 000	BLADE FUSE 5A	1
		EXTRAORDINARY MAINTENANCE	
[14]	9097738000	SOLENOID VALVE 24V	1
[15]	909 5977 000	SOLENOID VALVE KIT 24 V	1
[16]	909 5651 000	RUBBER HOLDER 90° FOR HOSE Ø10	2
[18]	909 5696 000	VALVE	1
[19]#	9098233000	KIT VACUUM MOTOR W/CONNECTOR	1
[20]#	9098231000	CARBON BRUSH KIT	1
[20]	909 6893 000	CARBON BRUSH KIT (SEE TSB IT 2007-011)	1
[21]	909 6283 000	SQUEEGEE LIFTING CABLE	1
[22]	909 6437 000	KIT SQUEEGEE LIFT CABLE	1
[23]	909 5564 000	PIPE ACOUSTIC INSULATION	1
[24]	909 5565 000	PIPE ACOUSTIC INSULATION	1
[25]	9097113000	REDUCTIONGEAR MOTOR 520W	1
[26]	909 5720 0000	CARBON BRUSH SET (4 PCS)	1
[27]	9097184000	VIBRATION DAMPING M8	1
[28]	909 5558 000	SPRING	2
[29]	909 6397 000	BUMPER ROLLER KIT	1
[30]	9096919000	WHEEL	2
[31]	909 5554 000	SQUEEGEE WELDMENT	1
[32]	909 5702 000	KIT SQUEEGEE COMPLETE	1
[33]	909 5703 000	KIT SQUEEGEE WHEEL	2
[34]	L08603880	KIT SQUEEGEE BUMPER ROLLER	2
[35]	909 6062 000	KIT BUSH CABLE GUIDE AND RETAINING RING	1
[36]	909 5584 000	SWITCH	1
[37]	909 5098 000	ELECTRONIC CARD	1
[38]	909 5561 000	BATTERY CHARGER 100-230V	1
[38]	9097046000	BATTERY CHARGER 24V 8/9A 100-240V (SEE TSB IT 2007-019)	1
[39]	9097051000	BATTERY CHARGER CPL KIT 24V 8/9A 100-240V (SEE TSB IT 2007-019)	1
[39]	146 0719 000	ELECTROMAGNETIC SWITCH 24V	1
[40]	909 5127 000	ELECTROMAGNETIC SWITCH 24V	1
[41]#	56206988	BATTERY 12V GEL 90AH	2

NOTE: # indicates a change has been made since the last publication of this manual

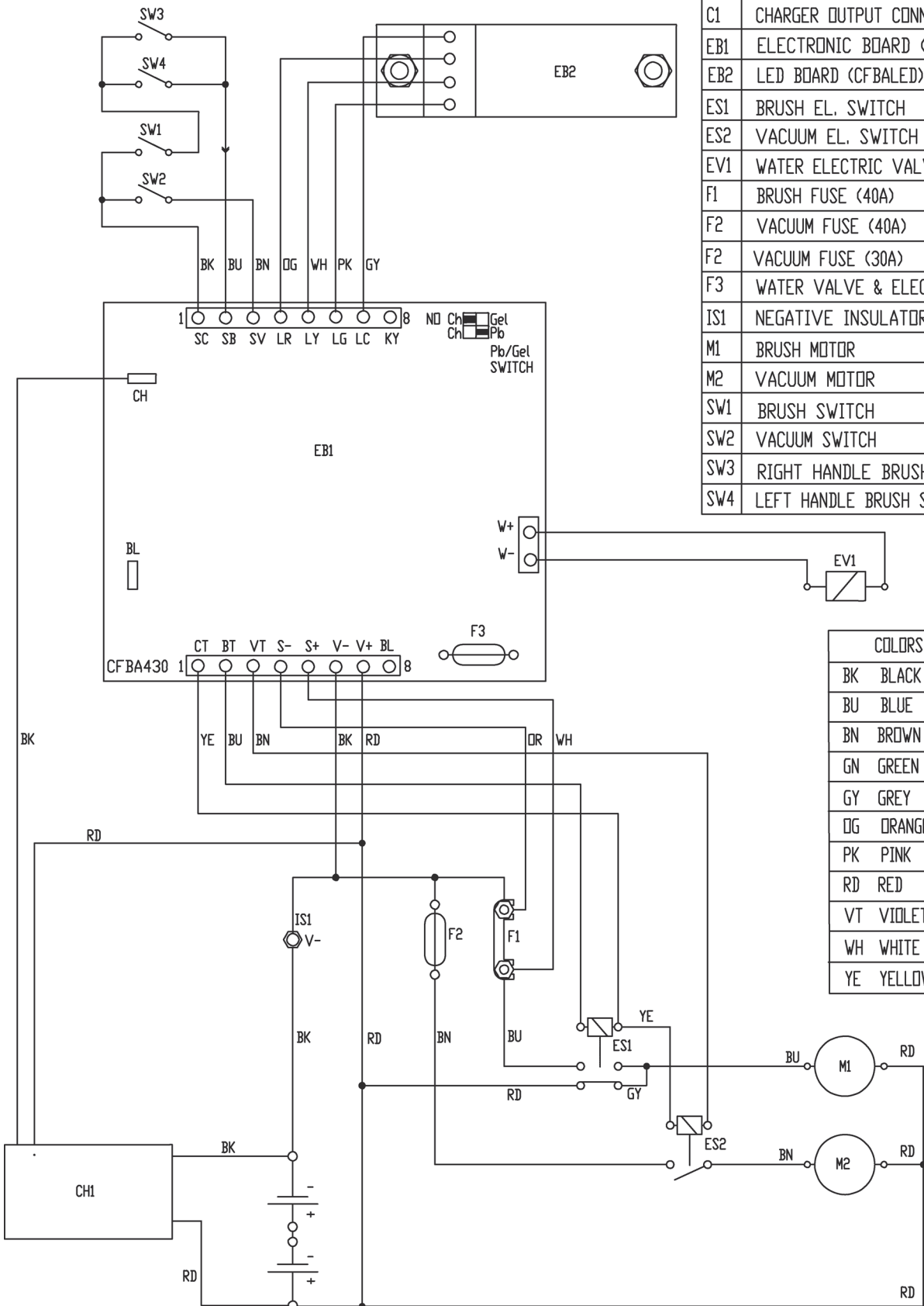
Wiring Diagram - Before SN 07215105



Wiring Diagram - Starting from SN 072115105

LEGENDA	
CH1	BATTERY CHARGER (OPT SPE)
C1	CHARGER OUTPUT CONNECTOR (OPT)
EB1	ELECTRONIC BOARD (CFBA430)
EB2	LED BOARD (CFBALED)
ES1	BRUSH EL. SWITCH
ES2	VACUUM EL. SWITCH
EV1	WATER ELECTRIC VALVE
F1	BRUSH FUSE (40A)
F2	VACUUM FUSE (40A)
F2	VACUUM FUSE (30A)
F3	WATER VALVE & ELECTR. FUSE (5A)
IS1	NEGATIVE INSULATOR
M1	BRUSH MOTOR
M2	VACUUM MOTOR
SW1	BRUSH SWITCH
SW2	VACUUM SWITCH
SW3	RIGHT HANDLE BRUSH SWITCH
SW4	LEFT HANDLE BRUSH SWITCH

COLORS CODES		
BK	BLACK	nero
BU	BLUE	azzurro
BN	BROWN	marrone
GN	GREEN	verde
GY	GREY	grigio
OG	ORANGE	arancio
PK	PINK	rosa
RD	RED	rosso
VT	VIOLET	viola
WH	WHITE	bianco
YE	YELLOW	giallo



CLARKE PRODUCT SUPPORT BRANCHES

U. S. A. Locations

PRODUCTION FACILITIES

Clarke®, Springdale, Arkansas
2100 Highway 265
Springdale, Arkansas 72764
(479) 750-1000
Customer Service - 1-800-253-0367
Technical Service - 1-800-356-7274

American Lincoln®, Bowling Green, Ohio 43402
1100 Haskins Road

SERVICE FACILITIES

Clarke®, Elk Grove, Illinois 60007
2280 Elmhurst Road
(847) 956-7900

Clarke®, Denver, Colorado 80204
1955 West 13th Ave.
(303) 623-4367

Clarke®, Houston, Texas 77040
7215 North Gessner Road
713-937-7717

SERVICE AND SALES FACILITY

American Lincoln® / Clarke, Madison Heights,
Michigan 48071-0158
29815 John R.
(810) 544-6300

American Lincoln® / Clarke, Marietta, Georgia 30066
1455 Canton Road
(770) 973-5225

Clarke®

Clarke American Sanders

A.L. Cook

Customer Service Headquarters and Factory
2100 Highway 265
Springdale, Arkansas 72764
(479) 750-1000

Technical Service
1-800-356-7274

European Locations

PRODUCTION FACILITIES

ALTO Danmark A/S, Aalborg
Blytaekkervej 2
DK-9000 Aalborg
+45 72 18 21 00

ALTO Danmark A/S, Hadsund
Industrivarteret
DK-9560 Hadsund
+45 72 18 21 00

SALES SUBSIDIARIES

ALTO US - Canada, Ontario (Canada)
4080 B Sladeview Crescent Unit 1
Mississauga, Ontario L5L 5Y5
(905) 569 0266

ALTO Overseas Inc., Sydney (Australia)
1B/8 Resolution Drive
Caringbah NSW 2229
+61 2 9524 6122

ALTO Cleaning Systems Asia Pte Ltd., Singapore
No. 17 Link Road
Singapore 619034
+65 268 1006

ALTO Deutschland GmbH, Bellenberg (Germany)
Guido-Oberdorfer-Straße 2-8
89287 Bellenberg
+49 0180 5 37 37 37

ALTO Cleaning Systems (UK) Ltd., Penrith
Gilwilly Industrial Estate
Penrith
Cumbria CA11 9BN
+44 1768 868 995

ALTO France S.A. Strasbourg
B.P. 44, 4 Place d'Ostwald
F-67036 Strasbourg
Cedex 2
+33 3 8828 8400

ALTO Nederland B.V.
Postbus 65
3370 AB Hardinxveld-Giessendam
The Netherlands
+31 184 677 200

ALTO Sverige AB, Molndal (Sweden)
Aminogatan 18
Box 4029
S-431 04 Molndal
+46 31 706 73 00

ALTO Norge A/S, Oslo (Norway)
Bjornerudveien 24
N-1266
+47 2275 1770

Clarke® LIMITED U.S. WARRANTY

This Clarke Product is warranted to be free from defects in materials and workmanship under normal use and service, when operated and maintained in accordance with Clarke's Maintenance and Operations instructions. The warranty period is subject to the conditions stated below.

3 YEARS FOR PARTS AND 1 YEAR FOR SERVICE LABOR (See exceptions below)

Motors must be inspected for carbon motor brush wear at six-month intervals by an authorized Clarke repair station. Failure to comply with the six-month inspection requirement or failure to replace worn motor brushes identified during the inspection will void the warranty on the motors. Cost of the six-month inspection and replacement of carbon motor brushes is the responsibility of the purchaser. In the event of a warranty claim on the motors, proof of inspection and any required motor brush replacement must be provided. This warranty is extended only to the original purchaser for use of the product. It does not cover normal wear parts such as electrical cable, rubber parts, hoses and motor brushes.

BATTERY WARRANTY

In addition to the items above, any original equipment Clarke Battery which becomes unserviceable under normal use within a period of ninety (90) days from date of sale to the original user will be repaired or replaced with one of equal specification at our option, F.O.B. any authorized Clarke Sales or Service Branch, with no charge to the user, except transportation costs. After expiration of the above ninety (90) day period, any battery which fails under normal use will be adjusted to the original user with a new battery of equal specification on an eighteen (18) months pro rate basis from the date of purchase. Adjustment will be determined using the then current list price, plus transportation costs.

Warranty is rendered null and void if battery is not kept filled to the proper level with DISTILLED WATER.

Clarke: POLYDUR® AUTOMATIC SCRUBBER SOLUTION AND RECOVERY TANK EIGHT-YEAR U.S. GUARANTEE

Your new Clarke machine has polydur Solution and Recovery Tanks. Polydur is a rotationally molded, low-density linear polyethylene that won't crack or dent, and withstands most corrosives and temperature extremes. Clarke backs up your Polydur tanks with an eight-year guarantee. If a tank breaks or leaks under normal use within eight years of the date of purchase, it will be replaced free.

STATED WARRANTIES ARE IN LIEU OF ALL OTHER WARRANTIES, EXPRESSED OR IMPLIED

Clarke's liability under this warranty is limited to repair of the product and/or replacement of parts and is given to purchaser in lieu of all other remedies, including INCIDENTAL AND CONSEQUENTIAL DAMAGES.

THERE ARE NO EXPRESS WARRANTIES OTHER THAN THOSE SPECIFIED HEREIN. THERE ARE NO WARRANTIES WHICH EXTEND BEYOND THE DESCRIPTION OF THE FACE HEREOF. NO WARRANTIES, INCLUDING BUT NOT LIMITED TO WARRANTY OF MERCHANTABILITY, SHALL BE IMPLIED. A warranty registration card is provided with your Clarke product. Return the card to assist Clarke in providing the performance you expect from your new floor machine.

If a difficulty develops with the product, you should: a) Contact the nearest authorized Clarke repair location or contact the Clarke Service Operations Department, 2100 Highway 265, Springdale, Arkansas 72764, for the nearest authorized Clarke repair location. Only these locations are authorized to make repairs to the product under this warranty. (b) Return the product to the nearest Clarke repair location. Transportation charges to and from the repair location must be prepaid by the purchaser. Clarke will repair the product and/or replace any defective parts with out charge within a reasonable time after receipt of the product.

Clarke, 2100 Highway 265, Springdale, Arkansas 72764.

**Clarke reserves the right to make changes or improvements to its machine without notice.
Always use genuine Clarke Parts for repair.**

Clarke®

2100 Highway 265
Springdale, Arkansas, 72764